

TECHNICAL DATASHEET

2.75W Wall Mount Adapter - China



Applications

- MPEG Players
- Personal Electronics
- PDAs
- Digital Cameras

Features

- Fixed Blade AC Input
- Class B EMI
- Limited Power Source
- 3,048M Operating Altitude
- AA03C-050A(M)-R charging scheme:
Data Lines (Pins 2 and 3) Shorted

Safety Standards



Dimensions

71.4 x 43 x 21 mm

(2.81 x 1.69 x 0.83 inch)

Specifications

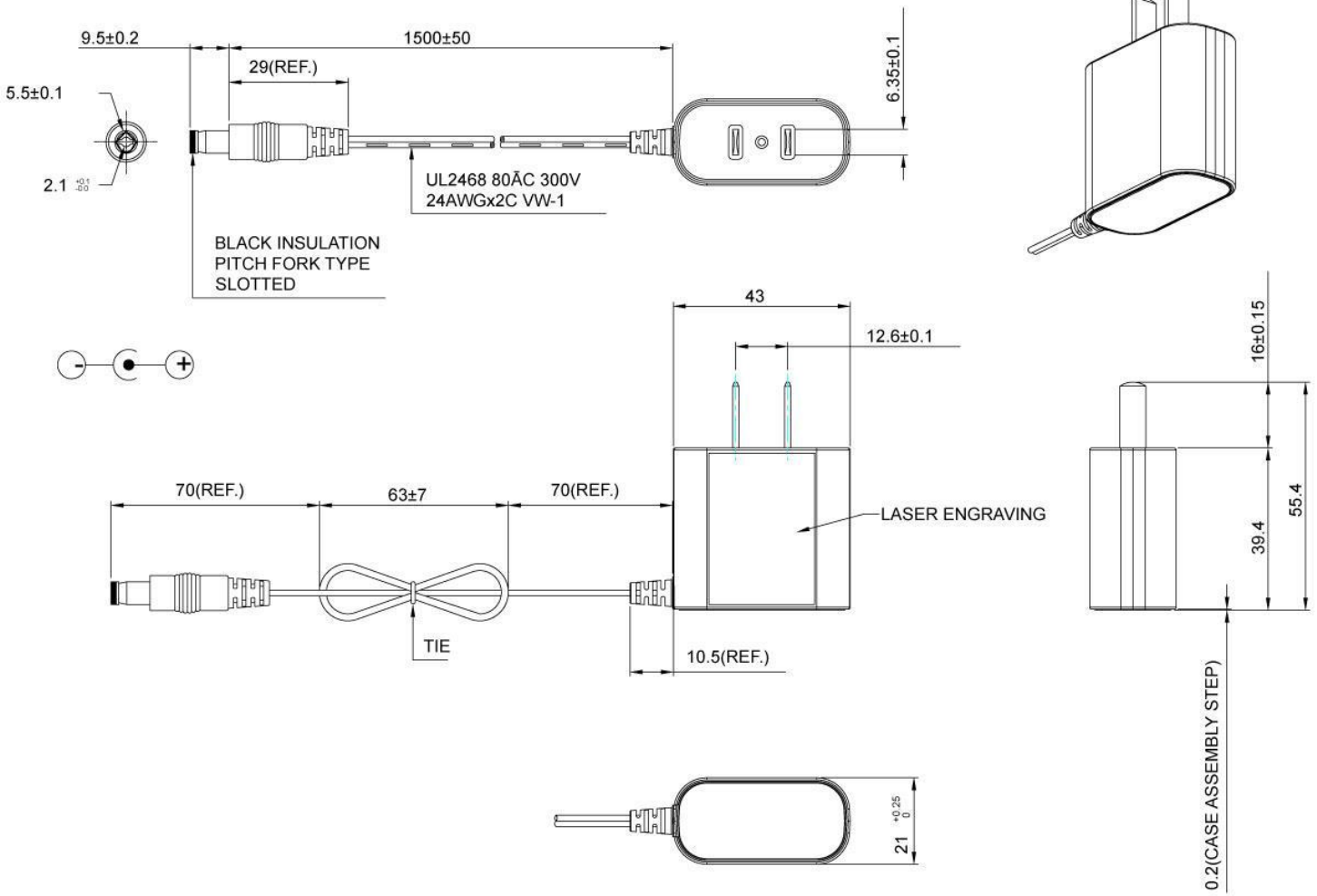
AA03C Specifications⁴

Model		AA03C-050A-R ²	AA03C-050A(M)-R ^{2,1,2,2}
Output	DC Output Voltage	5.0 Vac	
	Max Current	0.55A	
	Output Power	2.75W	
	Regulation	± 5%	
	Ripple & Noise P-P(max) ³	150mV	
Input	AC Input Voltage Range	90 to 264VAC	
	AC Input Frequency	47 to 63Hz	
	Input Current	0.1A RMS max	
	No Load Power Consumption at 115VAC Input	≤0.1W	
	No Load Power Consumption at 230VAC Input	≤0.075W	
	115VAC Average Efficiency ⁴	≥69%	
	230VAC Average Efficiency ⁴	≥69%	
	Leakage Current	<0.25mA max	
Protection	Over-Voltage	7.5V max	
	Short Circuit	The output can be shorted without damage	
Environmental	Operating Temperature	0°C to +40°C	
	Non-Operating Temperature	-25° to +75°C	
	Operating Humidity	10 to +90%	
Safety Approvals and EMC	Dielectric Withstand (HI-POT)	Primary to Secondary: 3000VAC for 1min, 10mA	
	Insulation Resistance	Primary to Secondary: >7M ohm for 500VDC	
	Standards	CCC	
	EMI Emissions	EN 55032/CISPR 32 Class B Conducted and Radiated	
	Harmonic Current Emissions	IEC 61000-3-2	
	Voltage Fluctuations & Flicker	IEC 61000-3-3	
	Immunity	EN 55024/CISPR 24, EN 55035/CISPR 35: IEC 61000-4-2 (Contact: ±8KV, Air: ±15KV), IEC 61000-4-3, IEC 61000-4-4, IEC 61000-4-5 (±2kV), IEC 61000-4-6, IEC 61000-4-8, IEC 61000-4-11	
Mechanical	Dimensions (L x W x H)	71.4mm (2.81in) x 43mm (1.69in) x 21mm (0.83in)	
	Weight	48g	
	Cable Length	1500mm	
	DC Cable Type	24 AWG	
	DC Output Connector	2.1mm x 5.5mm x 9.5mm	USB Micro-B

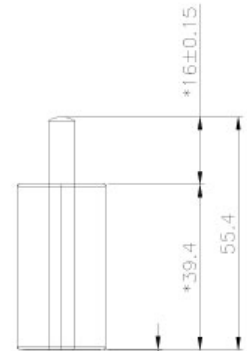
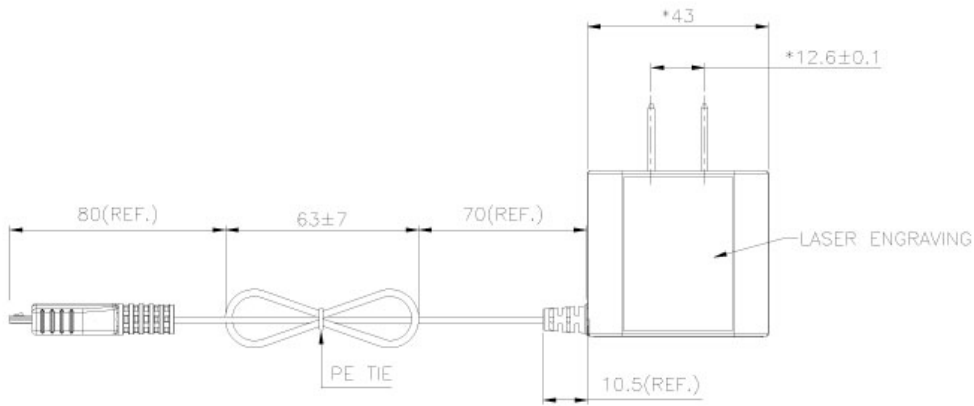
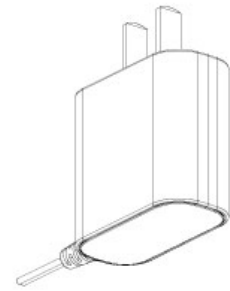
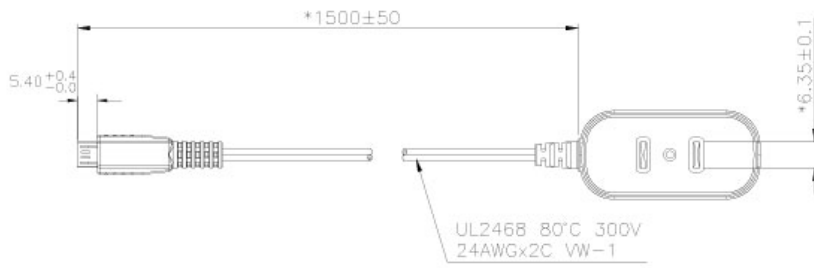
Model		AA03C-075A-R ²	AA03C-090A-R
Output	DC Output Voltage	7.5 Vac	9.0 Vac
	Max Current	0.366A	0.306A
	Output Power	2.75W	
	Regulation	± 5%	
	Ripple & Noise P-P(max) ³	150mV	
Input	AC Input Voltage Range	90 to 264VAC	
	AC Input Frequency	47 to 63Hz	
	Input Current	0.1A max	
	No Load Power Consumption at 115VAC Input	≤0.1W	
	No Load Power Consumption at 230VAC Input	≤0.075W	
	115VAC Average Efficiency ⁴	≥73.8%	
	230VAC Average Efficiency ⁴	≥73.9%	
	Leakage Current	<0.25mA max	
Protection	Over-Voltage	10.0V max	12.0V max
	Short Circuit	The output can be shorted without damage	
Environmental	Operating Temperature	0°C to +40°C	
	Non-Operating Temperature	-25° to +75°C	
	Operating Humidity	10 to +90%	
Safety Approvals and EMC	Dielectric Withstand (HI-POT)	Primary to Secondary: 3000VAC for 1min, 10mA	
	Insulation Resistance	Primary to Secondary: >7M ohm for 500VDC	
	Standards	CCC	
	EMI Emissions	EN 55032/CISPR 32 Class B Conducted and Radiated	
	Harmonic Current Emissions	IEC 61000-3-2	
	Voltage Fluctuations & Flicker	IEC 61000-3-3	
	Immunity	EN 55024/CISPR 24, EN 55035/CISPR 35: IEC 61000-4-2 (Contact: ±8KV, Air: ±15KV), IEC 61000-4-3, IEC 61000-4-4, IEC 61000-4-5 (±2kV), IEC 61000-4-6, IEC 61000-4-8, IEC 61000-4-11	
Mechanical	Dimensions (L x W x H)	71.4mm (2.81in) x 43mm (1.69in) x 21mm (0.83in)	
	Weight	48g	
	Cable Length	1500mm	
	DC Cable Type	24 AWG	
	DC Output Connector	2.1mm x 5.5mm x 9.5mm	

Model		AA03C-120A-R ²
Output	DC Output Voltage	12.0 Vac
	Max Current	0.229A
	Output Power	2.75W
	Regulation	± 5%
	Ripple & Noise P-P(max) ³	200mV
Input	AC Input Voltage Range	90 to 264VAC
	AC Input Frequency	47 to 63Hz
	Input Current	0.1A max
	No Load Power Consumption at 115VAC Input	≤0.1W
	No Load Power Consumption at 230VAC Input	≤0.075W
	115VAC Average Efficiency ⁴	≥73.8%
	230VAC Average Efficiency ⁴	≥73.9%
	Leakage Current	<0.25mA max
Protection	Over-Voltage	18.0V max
	Short Circuit	The output can be shorted without damage
Environmental	Operating Temperature	0°C to +40°C
	Non-Operating Temperature	-25° to +75°C
	Operating Humidity	10 to +90%
Safety Approvals and EMC	Dielectric Withstand (HI-POT)	Primary to Secondary: 3000VAC for 1min, 10mA
	Insulation Resistance	Primary to Secondary: >7M ohm for 500VDC
	Standards	CCC
	EMI Emissions	EN 55032/CISPR 32 Class B Conducted and Radiated
	Harmonic Current Emissions	IEC 61000-3-2
	Voltage Fluctuations & Flicker	IEC 61000-3-3
	Immunity	EN 55024/CISPR 24, EN 55035/CISPR 35: IEC 61000-4-2 (Contact: ±8KV, Air: ±15KV), IEC 61000-4-3, IEC 61000-4-4, IEC 61000-4-5 (±2kV), IEC 61000-4-6, IEC 61000-4-8, IEC 61000-4-11
Mechanical	Dimensions (L x W x H)	71.4mm (2.81in) x 43mm (1.69in) x 21mm (0.83in)
	Weight	48g
	Cable Length	1500mm
	DC Cable Type	24 AWG
	DC Output Connector	2.1mm x 5.5mm x 9.5mm
Note	<p>1. The specifications defined are at ambient temperature of 25°C, unless otherwise specified.</p> <p>2.</p> <p>2.1 Special order item. Minimum quantity order applies.</p> <p>2.2 The charging scheme: Data Lines (Pins 2 and 3) Shorted.</p> <p>3. 20MHz bandwidth frequency oscilloscope, add a 0.1µF multilayer Cap. and Low ESR Electrolytic Cap. (10µF) at output connector terminals (nominal line voltage, full load).</p> <p>4. Efficiency is measured after 30 minutes burn-in.</p>	

AA03C-xxxA Outline Drawing



AA03C-050A(M) Outline Drawing



0.2(CASE ASSEMBLY STEP)

Phihong Locations



Headquarters Phihong Technology Co., Ltd
No. 568, Fuxing 3rd Rd., Gueishan Dist., Taoyuan City (33383), Taiwan
Tel : +886-3-3277288
Fax : +886-3-3277622
phsales@phihong.com.tw
www.phihong.com.tw



Phihong Technology Co. Ltd. (Tainan R&D Center)
No. 99, Zhengnan 1st. Street, Yongkang Dist., Tainan City 71046, Taiwan
Tel : +886-6-254-7588
Fax : +886-6-254-7288
phsales@phihong.com.tw
www.phihong.com.tw



Phihong China
Room 101, Building 5, 133-1 Tiesong Road, Qingxi Town, Dong Guan City, Guangdong (523642), China
Tel : +86-769-87736405
phsales@phihong.com.tw



Phihong USA
47800 Fremont Blvd., Fremont, CA 94538, U.S.A.
Tel : +1-510-445-0100
Fax : +1-510-445-1678
usasales@phihongusa.com
www.phihong.com



Phihong Japan
PMOEX Nihonbashi Kayabacho 10F, 2-12-10
Nihonbashi Kayabacho, Chuo City, Tokyo 103-0025 Japan
Tel : +81-3-6626-5513
Fax : +81-3-6629-0241
phsales@phihong.com.tw
www.phihong.co.jp



Phihong Vietnam
Lot CN5 An Duong Industrial Zone, Hong Phong Commune, An Duong County, Hai Phong City, Vietnam
Tel : +84-22588-31557