

## TECHNICAL DATASHEET

# 2.75W Wall Mount Adapter AU / NZ



## Applications

- MPEG Players
- Personal Electronics
- PDAs
- Digital Cameras

## Features

- Fixed Blade AC Input
- Australian and New Zealand MEPS (Minimum Energy Performance Standards) Compliance
  - AS/NZS 4665.1:2005 + A1:2009
  - AS/NZS 4665.2:2005 + A1:2009
- Limited Power Source
- Class B EMI
- 3,048M Operating Altitude
- AA03S-050A(M)-R charging scheme: Data Lines (Pins 2 and 3) Shorted

## Safety Standards



## Dimensions

74.9 x 38 x 27.2 mm  
(2.95 x 1.50 x 1.07 inch)

## Specifications

### AA03S Specifications<sup>1</sup>

Model		AA03S-050A-R	AA03S-050A(M)-R <sup>2,1,2,2</sup>
Output	DC Output Voltage	5.0V	5.0V
	Max Current	0.55A	0.55A
	Output Power	2.75W	2.75W
	Regulation	± 5%	± 5%
	Ripple & Noise P-P(max) <sup>3</sup>	150mV	150mV
Input	AC Input Voltage Range	90 to 264VAC	
	AC Input Frequency	47 to 63Hz	
	Input Current	100mA max	
	No Load Power Consumption at 115VAC Input	≤0.1W	≤0.1W
	No Load Power Consumption at 230VAC Input	≤0.075W	≤0.075W
	115VAC Average Efficiency <sup>4</sup>	≥69.0%	≥69.0%
	230VAC Average Efficiency <sup>4</sup>	≥69.0%	≥69.0%
	Leakage Current	<0.25mA max	
Protection	Over-Voltage	7.5V max	
	Short Circuit	The output can be shorted without damage	
Environmental	Operating Temperature	0°C to +40°C	
	Non-Operating Temperature	-25° to +75°C	
	Operating Humidity	10 to +90%	
Safety Approvals and EMC	Dielectric Withstand (HI-POT)	Primary to Secondary: 3000VAC for 1min, 10mA	
	Insulation Resistance	Primary to Secondary: >7M ohm for 500VDC	
	Standards	AS/NZS 62368.1:2018 AS/NZS 3112:2017	
	EMI Emissions	AS/NZS CISPR 32:2015: Class B Conducted & Radiated	
	Harmonic Current Emissions	IEC 61000-3-2	
	Voltage Fluctuations & Flicker	IEC 61000-3-3	
	Immunity	EN 55024/CISPR 24, EN55035/CISPR 35: IEC 61000-4-2 (+/- 15kV air, +/- 8kV contact), IEC 61000-4-3, IEC 61000-4-4, IEC 61000-4-5 (+/- 2kV), IEC 61000-4-6, IEC 61000-4-8, IEC 61000-4-11	
Mechanical	Dimensions (L x W x H)	74.9mm (2.95in) x 38mm (1.50in) x 27.2mm (1.07in)	
	Weight	52g	

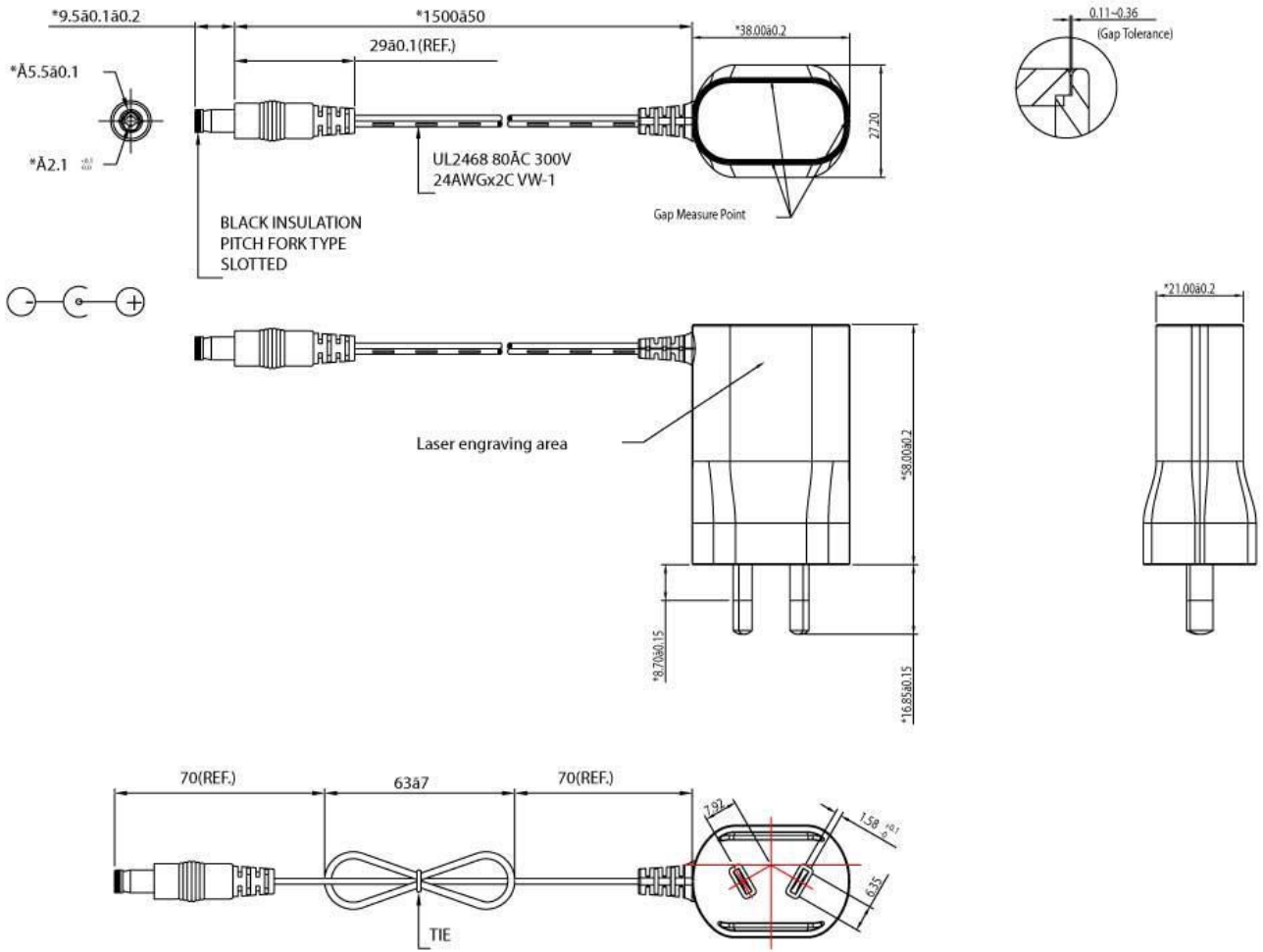
	Cable Length	1500mm	
	DC Cable Type	24 AWG	
	DC Output Connector	2.1mm x 5.5mm x 9.5mm	USB Micro B

Model		AA03S-075A-R	AA03S-090A-R
Output	DC Output Voltage	7.5V	9.0V
	Max Current	0.366A	0.306A
	Output Power	2.75W	2.75W
	Regulation	± 5%	± 5%
	Ripple & Noise P-P(max) <sup>3</sup>	150mV	150mV
Input	AC Input Voltage Range	90 to 264VAC	
	AC Input Frequency	47 to 63Hz	
	Input Current	100mA max	
	No Load Power Consumption at 115VAC Input	≤0.1W	≤0.1W
	No Load Power Consumption at 230VAC Input	≤0.075W	≤0.075W
	115VAC Average Efficiency <sup>4</sup>	≥73.8%	≥73.8%
	230VAC Average Efficiency <sup>4</sup>	≥73.9%	≥73.9%
	Leakage Current	<0.25mA max	
Protection	Over-Voltage	10.0V max	12.0V max
	Short Circuit	The output can be shorted without damage	
Environmental	Operating Temperature	0°C to +40°C	
	Non-Operating Temperature	-25° to +75°C	
	Operating Humidity	10 to +90%	
Safety Approvals and EMC	Dielectric Withstand (HI-POT)	Primary to Secondary: 3000VAC for 1min, 10mA	
	Insulation Resistance	Primary to Secondary: >7M ohm for 500VDC	
	Standards	AS/NZS 62368.1:2018 AS/NZS 3112:2017	
	EMI Emissions	AS/NZS CISPR 32:2015: Class B Conducted & Radiated	
	Harmonic Current Emissions	IEC 61000-3-2	
	Voltage Fluctuations & Flicker	IEC 61000-3-3	
	Immunity	EN 55024/CISPR 24, EN 55035/CISPR 35: IEC 61000-4-2 (+/- 15kV air, +/- 8kV contact), IEC 61000-4-3, IEC 61000-4-4, IEC 61000-4-5 (+/- 2kV), IEC 61000-4-6, IEC 61000-4-8, IEC 61000-4-11	
Mechanical	Dimensions (L x W x H)	74.9mm (2.95in) x 38mm (1.50in) x 27.2mm (1.07in)	
	Weight	52g	
	Cable Length	1500mm	
	DC Cable Type	24 AWG	
	DC Output Connector	2.1mm x 5.5mm x 9.5mm	

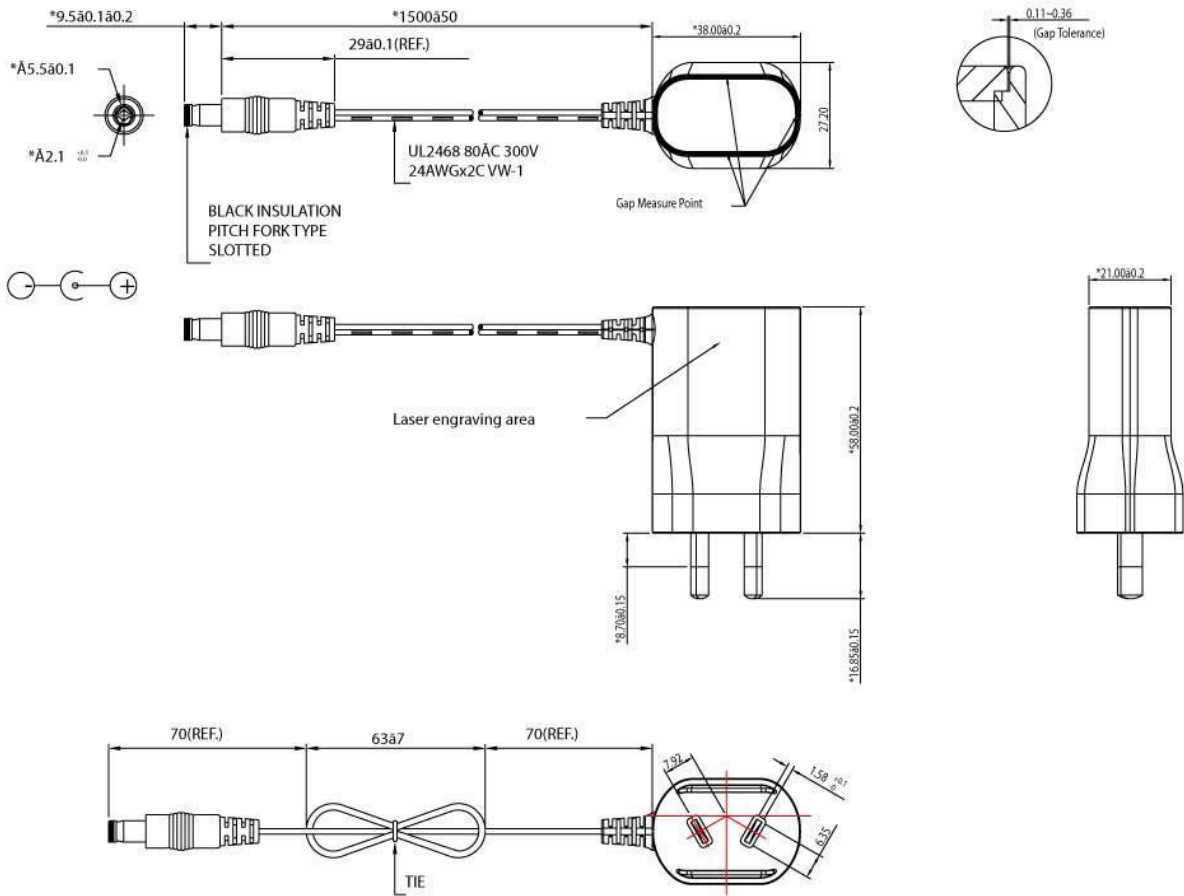
Model		AA03S-120A-R
Output	DC Output Voltage	12V
	Max Current	0.229A
	Output Power	2.75W
	Regulation	± 5%
	Ripple & Noise P-P(max) <sup>3</sup>	200mV
Input	AC Input Voltage Range	90 to 264VAC
	AC Input Frequency	47 to 63Hz
	Input Current	100mA max
	No Load Power Consumption at 115VAC Input	≤0.1W
	No Load Power Consumption at 230VAC Input	≤0.075W
	115VAC Average Efficiency <sup>4</sup>	≥73.8%
	230VAC Average Efficiency <sup>4</sup>	≥73.9%
	Leakage Current	<0.25mA max
Protection	Over-Voltage	18.0V max
	Short Circuit	The output can be shorted without damage
Environmental	Operating Temperature	0°C to +40°C
	Non-Operating Temperature	-25° to +75°C
	Operating Humidity	10 to +90%
Safety Approvals and EMC	Dielectric Withstand (HI-POT)	Primary to Secondary: 3000VAC for 1min, 10mA
	Insulation Resistance	Primary to Secondary: >7M ohm for 500VDC
	Standards	AS/NZS 62368.1:2018 AS/NZS 3112:2017
	EMI Emissions	AS/NZS CISPR 32:2015: Class B Conducted & Radiated
	Harmonic Current Emissions	IEC 61000-3-2
	Voltage Fluctuations & Flicker	IEC 61000-3-3
	Immunity	EN 55024/CISPR 24, EN 55035/CISPR 35: IEC 61000-4-2 (+/- 15kV air, +/- 8kV contact), IEC 61000-4-3, IEC 61000-4-4, IEC 61000-4-5 (+/- 2kV), IEC 61000-4-6, IEC 61000-4-8, IEC 61000-4-11
Mechanical	Dimensions (L x W x H)	74.9mm (2.95in) x 38mm (1.50in) x 27.2mm (1.07in)
	Weight	52g
	Cable Length	1500mm
	DC Cable Type	24 AWG
	DC Output Connector	2.1mm x 5.5mm x 9.5mm

<b>Note</b>	<ol style="list-style-type: none"><li>1. The specifications defined are at ambient temperature of 25°C, unless otherwise specified.</li><li>2.</li><li>2.1 Special order item. Minimum quantity order applies.</li><li>2.2 The charging scheme: Data Lines (Pins 2 and 3) Shorted.</li><li>3. 20MHz bandwidth frequency oscilloscope, add a 0.1μF multilayer Cap. and Low ESR Electrolytic Cap. (10μF) at output connector terminals (nominal line voltage, full load).</li><li>4. Efficiency is measured after 30 minutes burn-in.</li></ol>
-------------	---

# AA03S-xxxxA Outline Drawing



# AA03S-050A(M) Outline Drawing





## Phihong Locations



### Headquarters Phihong Technology Co., Ltd

No. 568, Fuxing 3rd Rd., Gueishan Dist., Taoyuan City (33383), Taiwan  
Tel : +886-3-3277288  
Fax : +886-3-3277622  
phsales@phihong.com.tw  
www.phihong.com.tw



### Phihong Technology Co. Ltd. (Tainan R&D Center)

No. 99, Zhengnan 1st. Street, Yongkang Dist., Tainan City 71046, Taiwan  
Tel : +886-6-254-7588  
Fax : +886-6-254-7288  
phsales@phihong.com.tw  
www.phihong.com.tw



### Phihong China

Room 101, Building 5, 133-1 Tiesong Road, Qingxi Town, Dong Guan City, GuangDong(523642), China  
Tel : +86-769-87736405  
phsales@phihong.com.tw



### Phihong USA

47800 Fremont Blvd., Fremont, CA 94538, U.S.A.  
Tel : +1-510-445-0100  
Fax : +1-510-445-1678  
usasales@phihongusa.com  
www.phihong.com



### Phihong Japan

PMOEX Nihonbashi Kayabacho 10F, 2-12-10  
Nihonbashi Kayabacho, Chuo City, Tokyo 103-0025 Japan  
Tel : +81-3-6626-5513  
Fax : +81-3-6629-0241  
phsales@phihong.com.tw  
www.phihong.co.jp



### Phihong Vietnam

Lot CN5 An Duong Industrial Zone, Hong Phong Commune, An Duong County, Hai Phong City, Vietnam  
Tel : +84-22588-31557