

## TECHNICAL DATASHEET

# 10W Wall Mount Adapter - EU



## Applications

- MPEG Players
- Personal Electronics
- PDAs
- Digital Cameras

## Features

- Fixed Blade AC Input
- Ecodesign/ErP Lot 7 (EU) 2019/1782 Compliance
- CoC Version 5 Tier 2 Compliance
- Limited Power Source
- Class B EMI
- AA10E-050A(M)-R charging scheme:  
Data Lines (Pins 2 and 3) Shorted

## Safety Standards



## Dimensions

71.2 x 34 x 64.7 mm  
(2.80 x 1.34 x 2.55 inch)

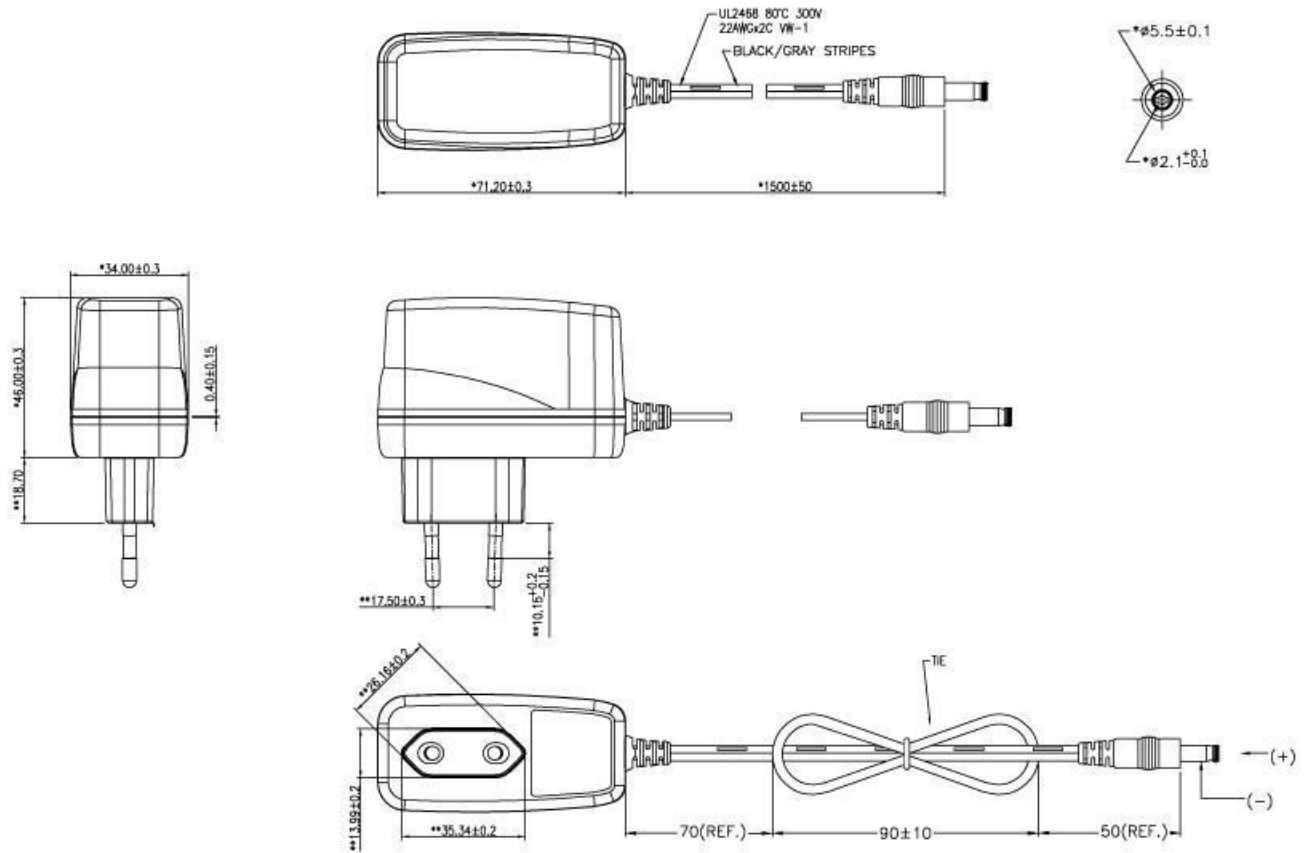
## Specifications

### AA10E Specifications<sup>1</sup>

Model		AA10E-050A-R	AA10E-050A(M)-R <sup>4</sup>
Output	DC Output Voltage	5.0V	
	Max Current	2.0A	
	Output Power	10.0W	
	Regulation	± 1% Line	
	Ripple & Noise P-P(max) <sup>2</sup>	200mV	
Input	AC Input Voltage Range	90 to 264VAC	
	AC Input Frequency	47 to 63Hz	
	Input Current	0.3A(RMS) max @115VAC/60Hz	
	No Load Power Consumption at 115VAC Input	0.0386W	
	No Load Power Consumption at 230VAC Input	0.062W	
	115VAC Average Efficiency <sup>3</sup>	80.74%	
	230VAC Average Efficiency <sup>3</sup>	80.55%	
	230VAC 10% Load Efficiency <sup>3</sup>	78.04%	
	Leakage Current	20uA max @254VAC/50Hz	
Protection	Over-Voltage	9.0V max	
	Short Circuit	The output can be shorted without damage	
	Over-Current	2.2A max	
Environmental	Operation Temperature	0°C to +40°C	
	Non-Operating Temperature	-20°C to +85°C	
	Operating Humidity	To 85% Relative Humidity	
Safety Approvals and EMC	Dielectric Withstand (HI-POT)	Primary to Secondary: 3000VAC for 1min, 10mA	
	Insulation Resistance	Primary to Secondary: 10M ohm for 500VDC	
	Standards	IEC 62368-1	
	EMI Emissions	EN 55032/CISPR 32 Class B Conducted and Radiated	
	Harmonic Current Emissions	IEC 61000-3-2	
	Voltage Fluctuations & Flicker	IEC 61000-3-3	
	Immunity	EN 55024/CISPR 24, EN 55035/CISPR 35: IEC 61000-4-2(+/-8kV air, +/- 4kV contact), IEC 61000-4-3, IEC 61000-4-4, IEC 61000-4-5(+/- 1kV), IEC 61000-4-8, IEC 61000-4-11	
Mechanical	Dimension(LxWxH)	71.2mm (2.80in) x 34mm (1.34in) x 64.7mm (2.55in)	
	Weight	75.5g	
	Cable Length	1500mm	
	DC Cable Type	22 AWG	
	DC Output Connector	2.1mm x 5.5mm x 9.5mm	USB Micro-B
Notes	1. The specifications defined are at ambient temperature of 25°C, unless otherwise specified.		

	2. 20MHz bandwidth frequency oscilloscope, add a 0.1 $\mu$ F multilayer Cap. and Low ESR Electrolytic Cap. (10 $\mu$ F) at output connector terminals (nominal line voltage, full load).
	3. Efficiency is measured after 30 minutes burn-in.
	4. The charging scheme: Data Lines (Pins 2 and 3) Shorted.

# AA10E-050A-R Outline Drawing





## Phihong Locations



### Headquarters Phihong Technology Co., Ltd

No. 568, Fuxing 3rd Rd., Gueishan Dist., Taoyuan City (33383), Taiwan  
 Tel : +886-3-3277288  
 Fax : +886-3-3277622  
 phsales@phihong.com.tw  
 www.phihong.com.tw



### Phihong Technology Co. Ltd. (Tainan R&D Center)

No. 99, Zhengnan 1st. Street, Yongkang Dist., Tainan City 71046, Taiwan  
 Tel : +886-6-254-7588  
 Fax : +886-6-254-7288  
 phsales@phihong.com.tw  
 www.phihong.com.tw



### Phihong China

Room 101, Building 5, 133-1 Tiesong Road, Qingxi Town, Dong Guan City, Guangdong (523642), China  
 Tel : +86-769-87736405  
 phsales@phihong.com.tw



### Phihong USA

47800 Fremont Blvd., Fremont, CA 94538, U.S.A.  
 Tel : +1-510-445-0100  
 Fax : +1-510-445-1678  
 usasales@phihongusa.com  
 www.phihong.com



### Phihong Japan

PMOEX Nihonbashi Kayabacho 10F, 2-12-10  
 Nihonbashi Kayabacho, Chuo City, Tokyo 103-0025 Japan  
 Tel : +81-3-6626-5513  
 Fax : +81-3-6629-0241  
 phsales@phihong.com.tw  
 www.phihong.co.jp



### Phihong Vietnam

Lot CN5 An Duong Industrial Zone, Hong Phong Commune, An Duong County, Hai Phong City, Vietnam  
 Tel : +84-22588-31557