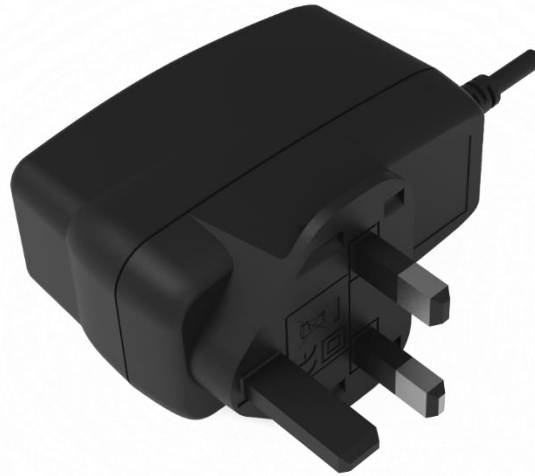


TECHNICAL DATASHEET

10W Wall Mount Adapter - UK



Applications

- MPEG Players
- Personal Electronics
- PDAs
- Digital Cameras

Features

- Fixed Blade AC Input
- Ecodesign/ErP Lot 7 (EU) 2019/1782 Compliance
- CoC Version 5 Tier 2 Compliance
- Limited Power Source
- Class B EMI
- AA10K-050A(M)-R charging scheme:
Data Lines (Pins 2 and 3) Shorted

Safety Standards



Dimensions

71.2 x 49.1 x 77.9 mm
(2.80 x 1.93 x 3.07 inch)

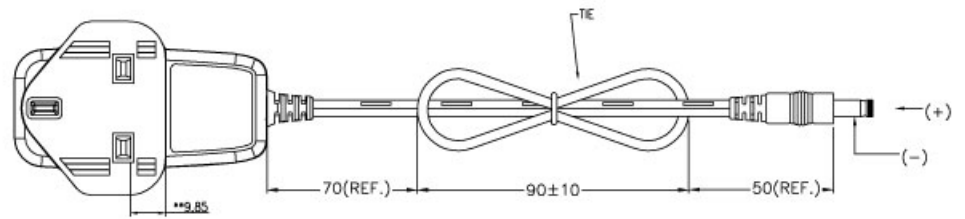
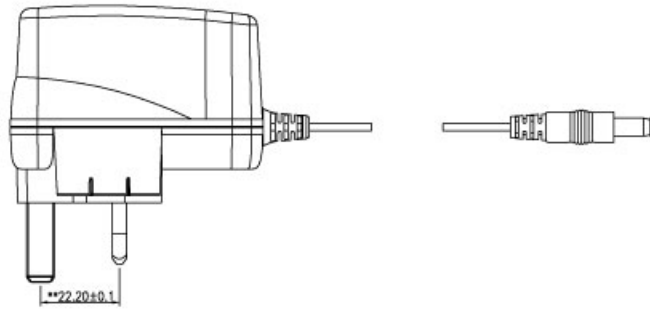
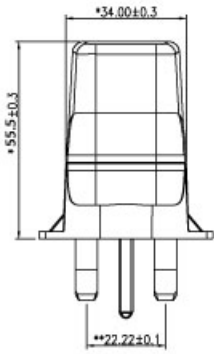
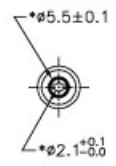
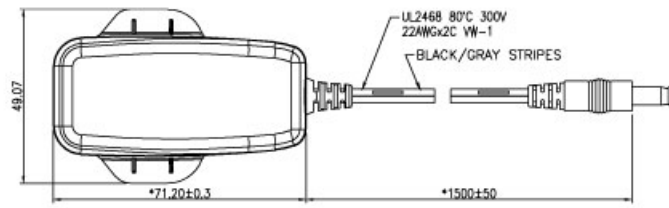
Specifications

AA10K Specifications¹

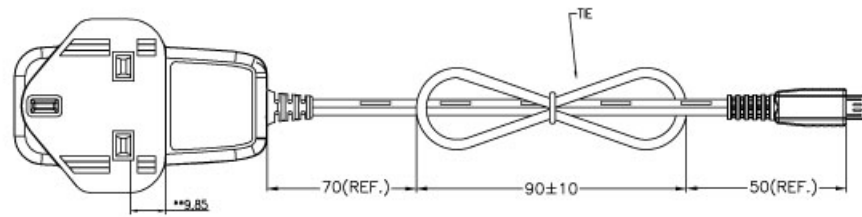
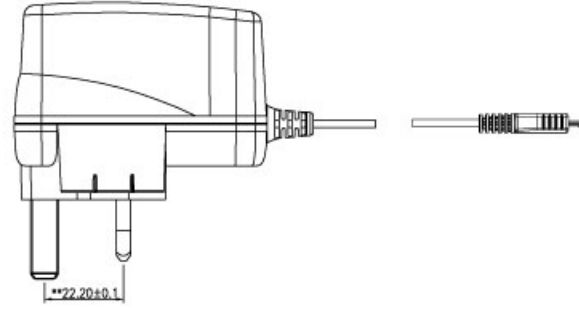
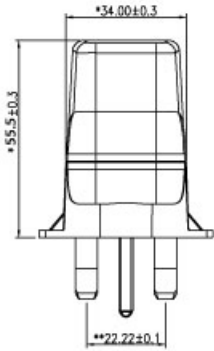
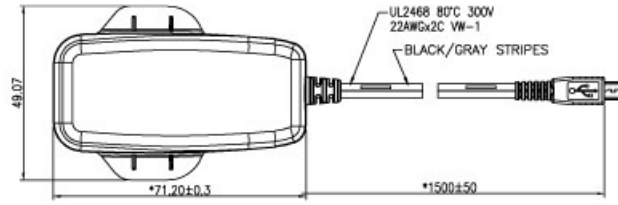
Model		AA10K-050A-R	AA10K-050A(M)-R ⁴
Output	DC Output Voltage	5.0V	
	Max Current	2.0A	
	Output Power	10.0W	
	Regulation	± 1% Line	
	Ripple & Noise P-P(max)	200mV	
Input	AC Input Voltage Range	90 to 264VAC	
	AC Input Frequency	47 to 63Hz	
	Input Current	0.3A(RMS) max @115VAC/60Hz	
	No Load Power Consumption at 115VAC Input	0.0386W	
	No Load Power Consumption at 230VAC Input	0.062W	
	115VAC Average Efficiency ³	80.74%	
	230VAC Average Efficiency ³	80.55%	
	230VAC 10% Load Efficiency ³	78.04%	
Protection	Leakage Current	20uA max @254VAC/50Hz	
	Over-Voltage	9.0V max	
	Short Circuit	The output can be shorted without damage	
Environmental	Over-Circuit	2.2A max	
	Operation Temperature	0°C to +40°C	
	Non-Operating Temperature	-20°C to +85°C	
Safety Approvals and EMC	Operating Humidity	85% Relative Humidity	
	Dielectric Withstand (Hi-pot)	Primary to Secondary: 3000VAC for 1min, 10mA	
	Insulation Resistance	Primary to Secondary: 10M ohm for 500VDC	
	Standards	IEC 62368-1	
	EMI Emissions	EN 55032/CISPR 32 Class B Conducted and Radiated	
	Harmonic Current Emissions	IEC 61000-3-2	
	Voltage Fluctuations & Flicker	IEC 61000-3-3	
Mechanical	Immunity	EN 55024/CISPR 24, EN 55035/CISPR 35: IEC 61000-4-2(+/- 8kV air, +/- 4kV contact), IEC 61000-4-3, IEC 61000-4-4, IEC 61000-4-5(+/- 1kV), IEC 61000-4-8, IEC 61000-4-11	
	Dimension(LxWxH)	71.2mm (2.80in) x 49.1mm (1.93in) x 77.9mm (3.07in)	
	Weight	75.5g	
	Cable Length	1500mm	
	DC Cable Type	22 AWG	
Notes	DC Output Connector	2.1mm x 5.5mm x 9.5mm	USB Micro-B
	<p>1. The specifications defined are at ambient temperature of 25°C, unless otherwise specified.</p> <p>2. 20MHz bandwidth frequency oscilloscope, add a 0.1μF multilayer Cap. and Low ESR Electrolytic Cap. (10μF) at output connector terminals (nominal line voltage, full load).</p>		

	3. Efficiency is measured after 30 minutes burn-in.
	4. The charging scheme: Data Lines (Pins 2 and 3) Shorted.

AA10K-050A-R Outline Drawing



AA10K-050A(M)-R Outline Drawing



Phihong Locations



Headquarters Phihong Technology Co., Ltd

No. 568, Fuxing 3rd Rd., Gueishan Dist., Taoyuan City (33383), Taiwan
 Tel : +886-3-3277288
 Fax : +886-3-3277622
 phsales@phihong.com.tw
 www.phihong.com.tw



Phihong Technology Co. Ltd. (Tainan R&D Center)

No. 99, Zhengnan 1st. Street, Yongkang Dist., Tainan City 71046, Taiwan
 Tel : +886-6-254-7588
 Fax : +886-6-254-7288
 phsales@phihong.com.tw
 www.phihong.com.tw



Phihong China

Room 101, Building 5, 133-1 Tiesong Road, Qingxi Town, Dong Guan City, Guangdong (523642), China
 Tel : +86-769-87736405
 phsales@phihong.com.tw



Phihong USA

47800 Fremont Blvd., Fremont, CA 94538, U.S.A.
 Tel : +1-510-445-0100
 Fax : +1-510-445-1678
 usasales@phihongusa.com
 www.phihong.com



Phihong Japan

PMOEX Nihonbashi Kayabacho 10F, 2-12-10
 Nihonbashi Kayabacho, Chuo City, Tokyo 103-0025 Japan
 Tel : +81-3-6626-5513
 Fax : +81-3-6629-0241
 phsales@phihong.com.tw
 www.phihong.co.jp



Phihong Vietnam

Lot CN5 An Duong Industrial Zone, Hong Phong Commune, An Duong County, Hai Phong City, Vietnam
 Tel : +84-22588-31557