

TECHNICAL DATASHEET

60W Power Delivery 3.0

Desktop Adapter with USB-C Plug



Applications

- Mobile Phone
- Tablet
- Networking Device
- Monitor
- Notebook

Features

- Power Delivery 3.0
- USB-C
- US DoE Level VI Efficiency Compliance
- Ecodesign/ErP Lot 7 (EU) 2019/1782 Compliance
- EU CoC Ver 5 Tier 2 Compliance
- OVP, OCP, OTP, Short Circuit Protections
- Class B EMI
- Limited Power Source(LPS)

Safety Standards



Dimensions

92.0 x 48.0 x 29.5 mm

(3.62 x 1.89 x 1.16 inch)

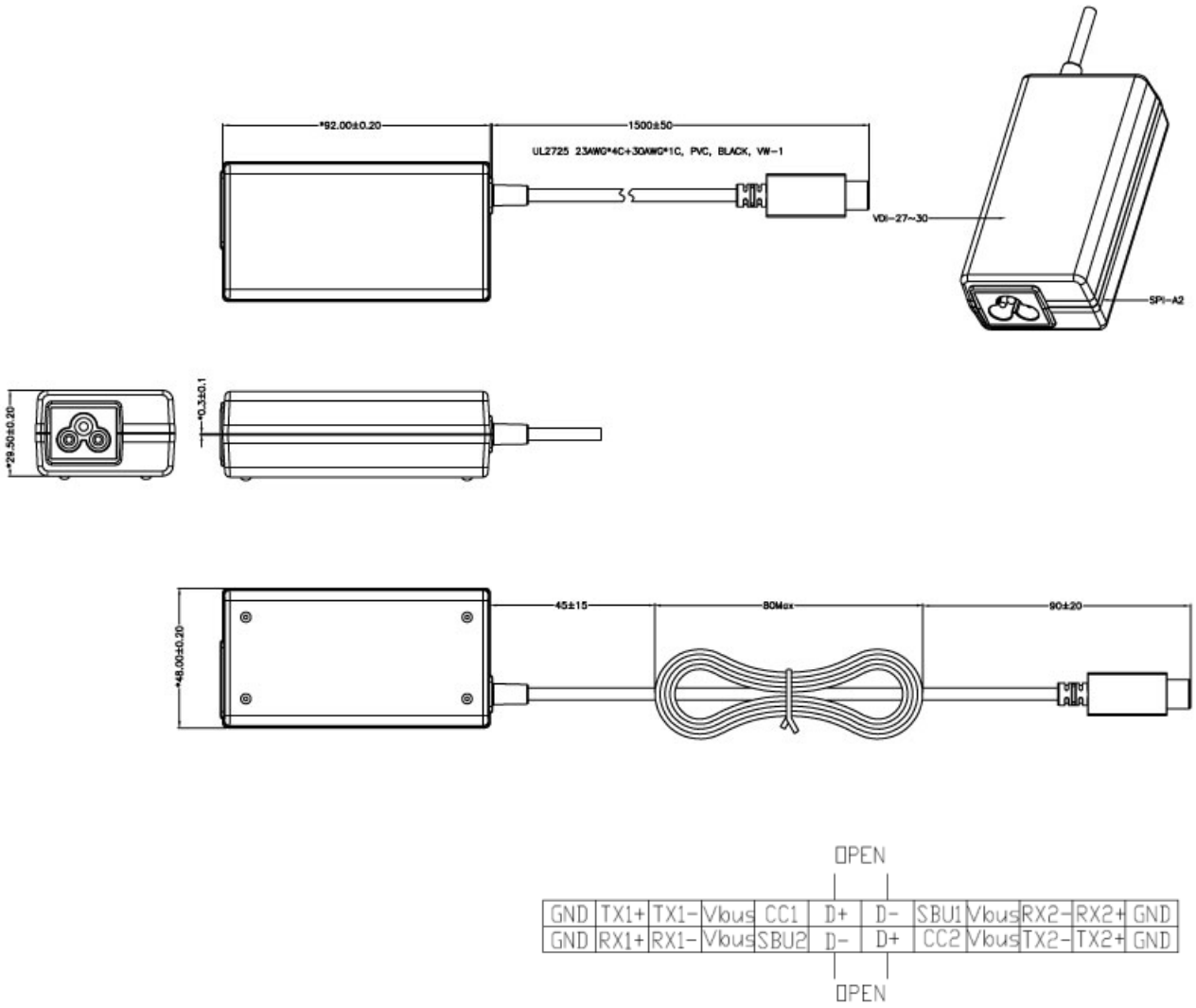
Specifications

AA60 Series Specifications¹

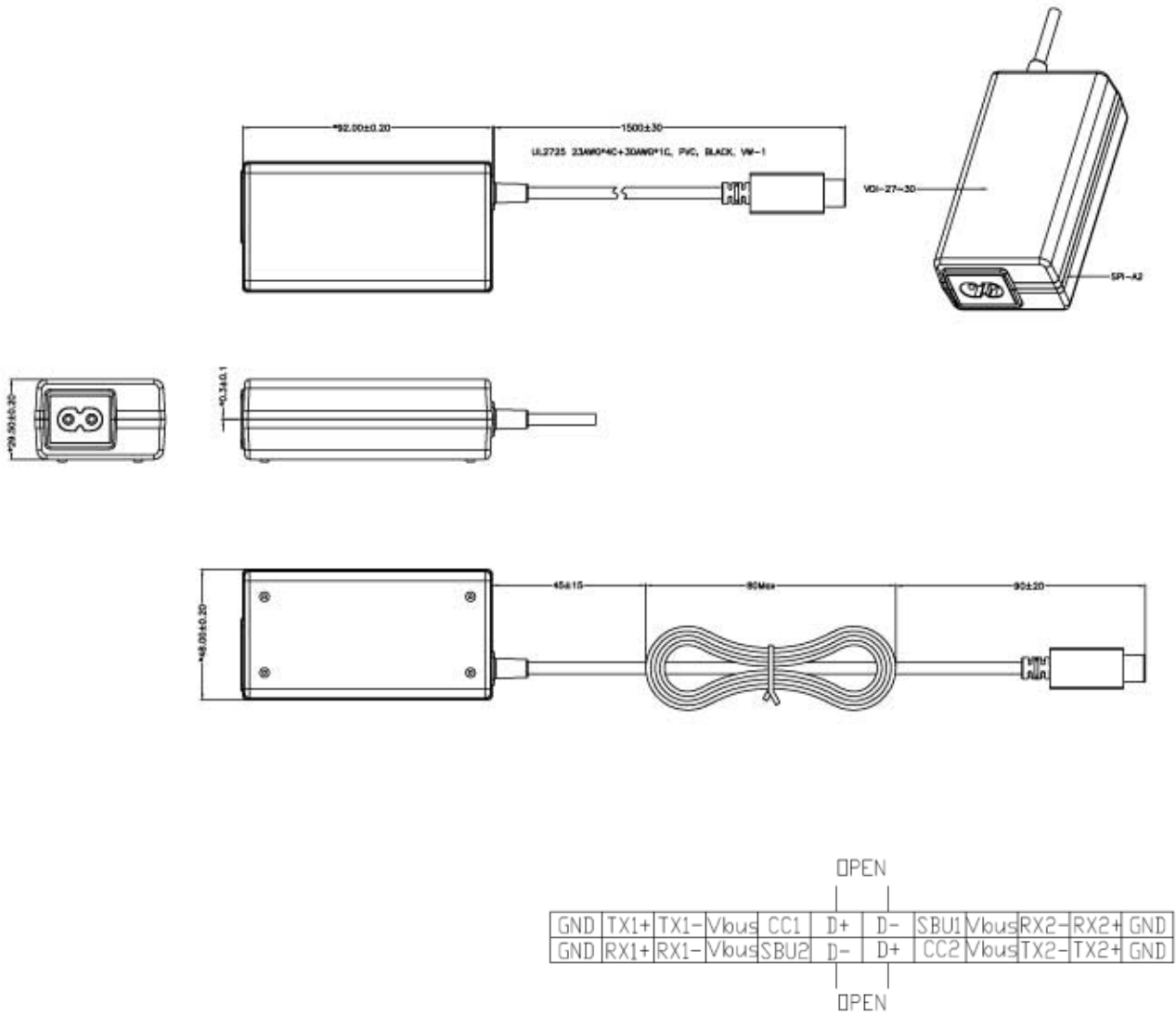
Model		AA60M-59FKA-R ²	AA60W-59FKA-R ²
Output	DC Output Voltage	5.0V/9.0V/15.0V/20.0V	
	Max Current	3.0A/3.0A/3.0A/3.0A	
	Output Power	15.0W/27.0W/45.0W/60.0W	
	Regulation	± 5%	
	Ripple & Noise P-P(max) ³	200mV	
Input	AC Input Voltage Range	90 to 264VAC	
	AC Input Frequency	47 to 63Hz	
	Input Current	1.5A (RMS) max at 100VAC	
	No Load Power Consumption at 115VAC Input	0.035W	
	No Load Power Consumption at 230VAC Input	0.062W	
	115VAC Average Efficiency ⁴	5V: 87.73%, 9V: 90.39%, 15V: 91.24%, 20V: 90.89%	
	230VAC Average Efficiency ⁴	5V: 85.76%, 9V: 89.50%, 15V: 91.09%, 20V: 91.22%	
	230VAC 10% Load Efficiency ⁴	5V: 85.26%, 9V: 87.28%, 15V: 86.18%, 20V: 83.19%	
	Leakage Current	100uA max at 240VAC/50Hz	
Protection	Over-Voltage	Auto recover. 130% max	
	Short Circuit	Auto recover. Output can be shorted permanently without damage.	
	Over-Current	Auto recover. Trigger point <130%	
	Over-Temperature	Latch off	
Environmental	Operation Temperature	0°C to +40°C	
	Non-Operating Temperature	-30° to +85°C	
	Operating Humidity	10% to 90% RH max	
Safety Approvals and EMC	Dielectric Withstand (Hi-pot)	Primary to Secondary: 3000VAC for 1min, 2mA	
	Insulation Resistance	Primary to Secondary: >100M ohm for 500VDC	
	Standards	cULus 62368-1, IEC 62368-1	
	EMI Emissions	FCC Part 15 Class B, CAN ICES-003(B)/NMB-003(B), EN 55032/CISPR 32 Class B Conducted and Radiated	
	Harmonic Current Emissions	IEC 61000-3-2	
	Voltage Fluctuations & Flicker	IEC 61000-3-3	
	Immunity	EN 55035/CISPR 35: IEC 61000-4-2 (+/- 8kV air, +/- 6kV contact), IEC 61000-4-3, IEC 61000-4-4, IEC 61000-4-5 (+/- 1kV), IEC 61000-4-6, IEC 61000-4-8, IEC 61000-4-11	
Mechanical	Dimension (LxWxH)	92.0mm (3.62in) x 48.0mm (1.89in) x 29.5mm (1.16in)	
	Cable Length	1500mm	
	DC Output Connector	USB-C	
	Input Connector	IEC 60320 C6	IEC 60320 C8

Notes	<ol style="list-style-type: none">1. The specifications defined are at ambient temperature of 25°C, unless otherwise specified.2. Special order item. Minimum order quantities apply.3. 20MHz bandwidth frequency oscilloscope, add a 0.1μF multilayer Cap. and Low ESR Electrolytic Cap. (10μF) at output connector terminals (nominal line voltage, full load).4. Efficiency is measured after 30 minutes burn-in.
-------	---

AA60M-59FKA-R Outline Drawing



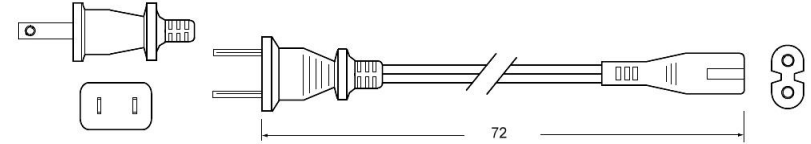
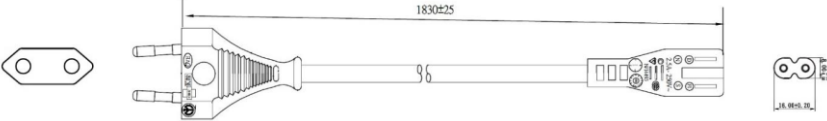
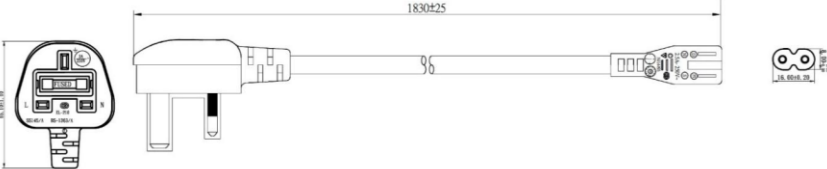
AA60W-59FKA-R Outline Drawing



Line Cords - Sold Separately

Model		AC15WNA-R	AC15WEU-R	AC15WUK-R
Specifications	Plug Type	North America NEMA 1-15P	Continental Europe CEE 7XVI	United Kingdom BS 1363
	Connector	IEC320 C7	IEC320 C7	IEC320 C7
	Wire Size	18 AWG	0.75mm	0.75mm
	Temperature	60°C	70°C	70 °C
	Amperage Rating	10A	2.5A	5A
	Voltage Rating	125V	250V	250V
	Cable Length	72mm	1830mm	1830mm
Safety Approvals		CSA; UL	CEBEC; DEMKO; DVE; FIMKO; GOST; IMQ; KEMA; NEMKO; NF; OVE; SEMKO; SEV	BSI; Safety Mark
Photos				

Line Cords - Outline Drawings

AC15WNA-R	
AC15WEU-R	
AC15WUK-R	

Phihong Locations



Headquarters Phihong Technology Co., Ltd
 No. 568, Fuxing 3rd Rd., Gueishan Dist., Taoyuan City (33383), Taiwan
 Tel : +886-3-3277288
 Fax : +886-3-3277622
phsales@phihong.com.tw
www.phihong.com.tw



Phihong Technology Co. Ltd. (Tainan R&D Center)
 No. 99, Zhengnan 1st. Street, Yongkang Dist., Tainan City 71046, Taiwan
 Tel : +886-6-254-7588
 Fax : +886-6-254-7288
phsales@phihong.com.tw
www.phihong.com.tw



Phihong China
 Room 101, Building 5, 133-1 Tiesong Road, Qingxi Town, Dong Guan City, Guangdong (523642), China
 Tel : +86-769-87736405
phsales@phihong.com.tw



Phihong USA
 47800 Fremont Blvd., Fremont, CA 94538, U.S.A.
 Tel : +1-510-445-0100
 Fax : +1-510-445-1678
usasales@phihongusa.com
www.phihong.com



Phihong Japan
 PMOEX Nihonbashi Kayabacho 10F, 2-12-10
 Nihonbashi Kayabacho, Chuo City, Tokyo 103-0025 Japan
 Tel : +81-3-6626-5513
 Fax : +81-3-6629-0241
phsales@phihong.com.tw
www.phihong.co.jp



Phihong Vietnam
 Lot CN5 An Duong Industrial Zone, Hong Phong Commune, An Duong County, Hai Phong City, Vietnam
 Tel : +84-22588-31557