

## TECHNICAL DATASHEET

# 2.75W Fixed Blade USB Charger - China



## Applications

- Portable Electronics
- Personal Electronics

## Features

- Fixed Blade
- Low Cost
- No Y Caps
- 3,048M Operating Altitude
- The charging scheme: Data Lines (Pins 2 and 3) Shorted

## Safety Standards



## Dimensions

58.5 x 43.5 x 21.0 mm  
(2.30 x 1.71 x 0.83 inch)

## Specifications

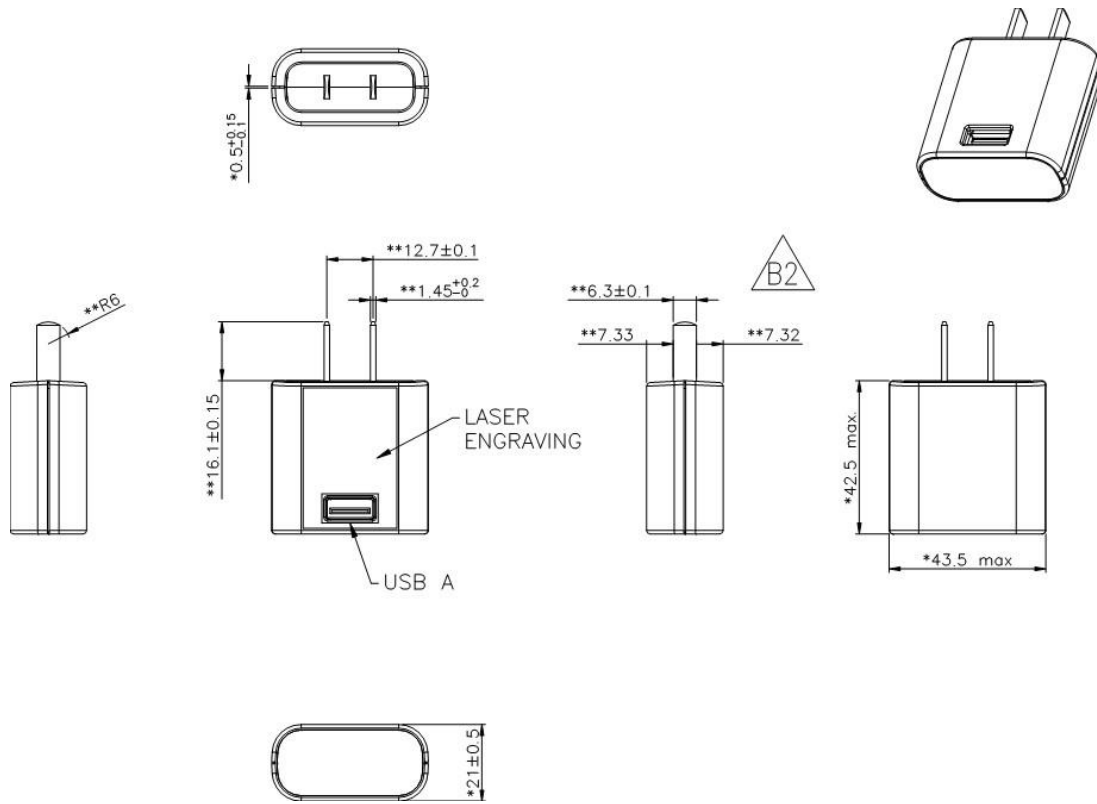
### AQ03C Specifications<sup>1</sup>

Model		AQ03C-050A-R <sup>2</sup>	AQ03C-050AW-R <sup>2</sup>
Output	DC Output Voltage	5.0V	
	Max Current	0.55A	
	Output Power	2.75W	
	Regulation	± 5%	
	Ripple & Noise P-P(max) <sup>3</sup>	150mV	
Input	AC Input Voltage Range	90 to 264VAC	
	AC Input Frequency	47 to 63Hz	
	Input Current	0.1A(RMS) max	
	No Load Power Consumption at 115VAC Input	≤0.1W	
	No Load Power Consumption at 230VAC Input	≤0.075W	
	115VAC Average Efficiency <sup>4</sup>	≥69%	
	230VAC Average Efficiency <sup>4</sup>	≥69%	
	Leakage Current	20uA max @264VAC/63Hz	
Protection	Over-Voltage	7.5V max	
	Short Circuit	The output can be shorted without damage	
Environmental	Operating Temperature	0°C to +40°C	
	Non-Operating Temperature	-25° to +75°C	
	Operating Humidity	10% to 90% RH max	
Safety Approvals and EMC	Dielectric Withstand (HI-POT)	Primary to Secondary: 3000VAC for 1min, 10mA	
	Insulation Resistance	Primary to Secondary: >7M ohm for 500VDC	
	Standards	CCC	
	EMI Emissions	EN 55032/CISPR 32 Class B Conducted and Radiated	
	Harmonic Current Emissions	IEC 61000-3-2	
	Voltage Fluctuations & Flicker	IEC 61000-3-3	
	Immunity	EN 55024/CISPR 24, EN 55035/CISPR 35: IEC 61000-4-2 (Contact: ±8KV, Air: ±15KV), IEC 61000-4-3, IEC 61000-4-4, IEC 61000-4-5 (±2kV), IEC 61000-4-6, IEC 61000-4-8, IEC 61000-4-11	
Mechanical	Dimensions (L x W x H)	58.5mm (2.30in) x 43.5mm (1.71in) x 21.0mm (0.83in)	
	Weight	28g	
	DC Output Connector	USB-A, D+/D- shorted	
	Case Color	Black	White

Notes	<ol style="list-style-type: none"><li>1. The specifications defined are at ambient temperature of 25C, unless otherwise specified.</li><li>2. Special order item. Minimum order quantity applies.</li><li>3. 20MHz bandwidth frequency oscilloscope, add a 0.1<math>\mu</math>F multilayer Cap. and Low ESR Electrolytic Cap. (10<math>\mu</math>F) at output connector terminals (nominal line voltage, full load).</li><li>4. Efficiency is measured after 30 minutes burn-in.</li></ol>
-------	--

# Outline Drawing

## AQ03C Outline Drawing



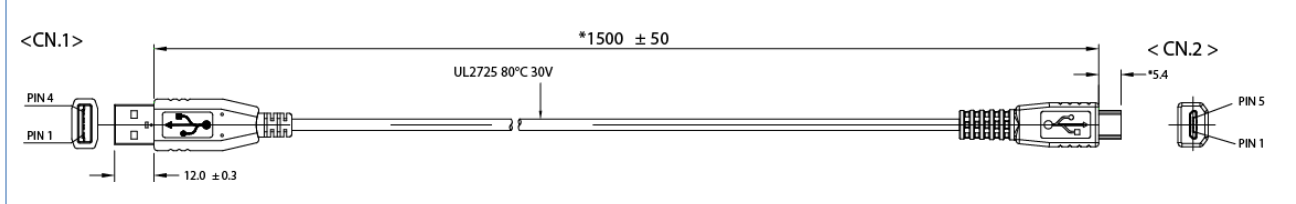
# USB Cables

## USB Cables – Sold Separately

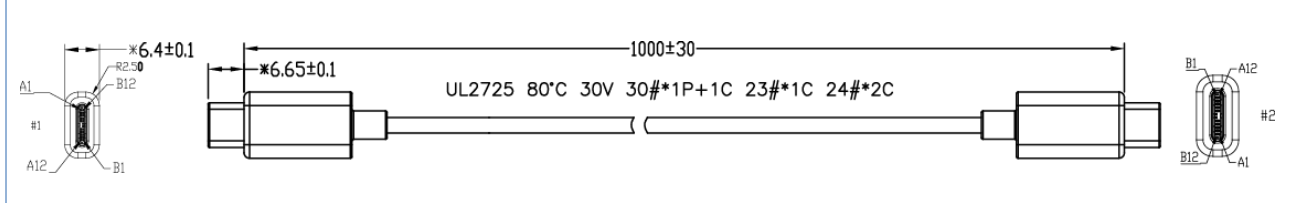
Unit: mm

Part no: IP-USB1(C10)S	Desc: USB-A to Micro-B – 1 Meter – Black
Part no: IPUSB1CS	Desc: USB to Mini-B – 1.5 Meter – Black
Part no: IPUSB1MS	Desc: USB-A to Micro-B – 1.5 Meter – Black
Part no: IPUSB1M5LD	Desc: USB-A to Micro-B – 24AWG – Low Drop – 1.5 Meter – Black
Part no: IPUSB1P5	Desc: USB-A to Micro-B – 1 Meter – 24AWG – Black
Part no: IPUSB1P5W	Desc: USB-A to Micro-B – 1 Meter – 24AWG – White

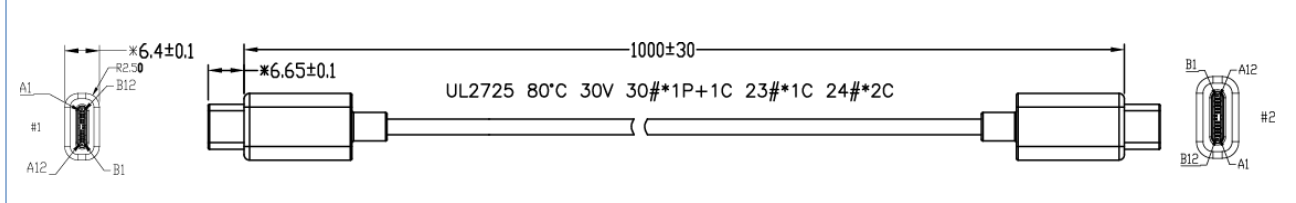
Part no: IPUSB1MSW Desc: USB-A to Micro-B – 1.5 Meter – White



Part no: UES-1001A160 Desc: Low Drop Type-C USB Cable – 1 Meter – 23AWG on Power – 30AWG on Data - Black



Part no: UES-1003A160 Desc: Low Drop Type-C USB Cable - 1 Meter – 23AWG on Power – 30AWG on Data - White



## Phihong Locations



**Headquarters Phihong Technology Co., Ltd**  
 No. 568, Fuxing 3rd Rd., Gueishan Dist., Taoyuan City (33383), Taiwan  
 Tel : +886-3-3277288  
 Fax : +886-3-3277622  
[phsales@phihong.com.tw](mailto:phsales@phihong.com.tw)  
[www.phihong.com.tw](http://www.phihong.com.tw)



**Phihong Technology Co. Ltd. (Tainan R&D Center)**  
 No. 99, Zhengnan 1st. Street, Yongkang Dist., Tainan City 71046, Taiwan  
 Tel : +886-6-254-7588  
 Fax : +886-6-254-7288  
[phsales@phihong.com.tw](mailto:phsales@phihong.com.tw)  
[www.phihong.com.tw](http://www.phihong.com.tw)



**Phihong China**  
 Room 101, Building 5, 133-1 Tiesong Road, Qingxi Town, Dong Guan City, Guangdong (523642), China  
 Tel : +86-769-87736405  
[phsales@phihong.com.tw](mailto:phsales@phihong.com.tw)



**Phihong USA**  
 47800 Fremont Blvd., Fremont, CA 94538, U.S.A.  
 Tel : +1-510-445-0100  
 Fax : +1-510-445-1678  
[usasales@phihongusa.com](mailto:usasales@phihongusa.com)  
[www.phihong.com](http://www.phihong.com)



**Phihong Japan**  
 PMOEX Nihonbashi Kayabacho 10F, 2-12-10  
 Nihonbashi Kayabacho, Chuo City, Tokyo 103-0025 Japan  
 Tel : +81-3-6626-5513  
 Fax : +81-3-6629-0241  
[phsales@phihong.com.tw](mailto:phsales@phihong.com.tw)  
[www.phihong.co.jp](http://www.phihong.co.jp)



**Phihong Vietnam**  
 Lot CN5 An Duong Industrial Zone, Hong Phong Commune, An Duong County, Hai Phong City, Vietnam  
 Tel : +84-22588-31557