

TECHNICAL DATASHEET

2.75W Fixed Blade USB Charger - AU/NZ



Applications

- Portable Electronics
- Personal Electronics

Features

- Fixed Blade
- Australian and New Zealand MEPS (Minimum Energy Performance Standards) Compliance
 - AS/NZS 4665.1:2005 + A1:2009
 - AS/NZS 4665.2:2005 + A1:2009
- Low Cost
- No Y Caps
- 3,048M Operating Altitude
- The charging scheme: Data Lines (Pins 2 and 3) Shorted

Safety Standards



Dimensions

70.6 x 43.5 x 25.0 mm
(2.78 x 1.71 x 0.98 inch)

Specifications

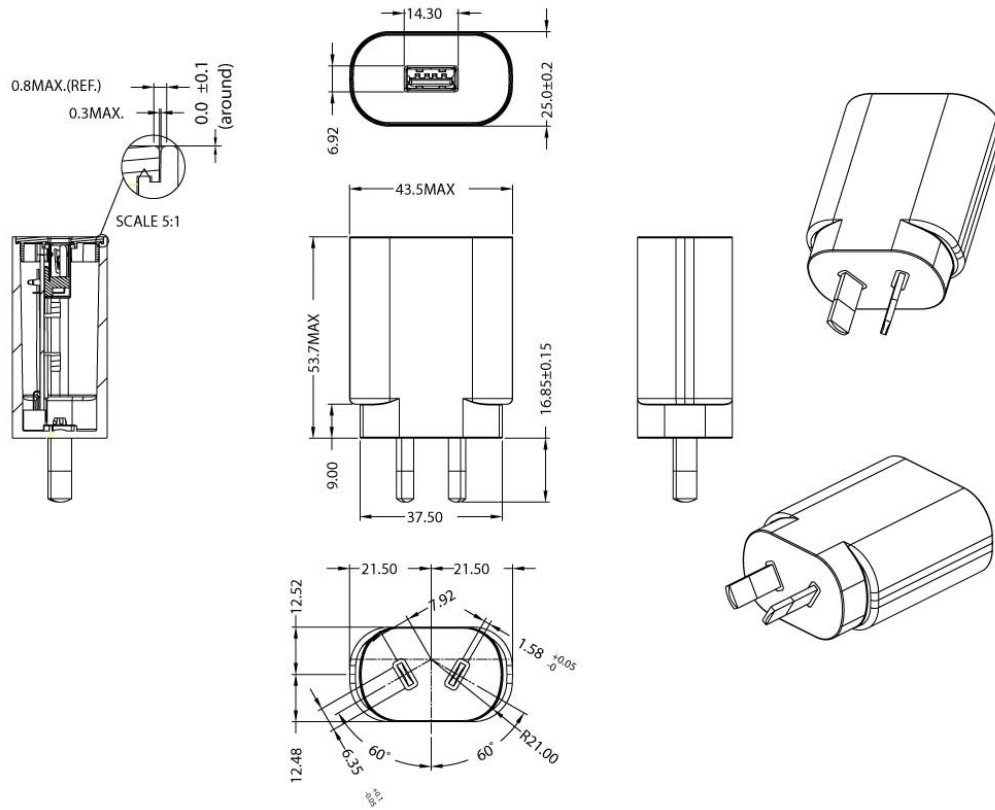
AQ03S Specifications¹

Model		AQ03S-050A-R	AQ03S-050AW-R ²
Output	DC Output Voltage	5.0V	
	Max Current	0.55A	
	Output Power	2.75W	
	Regulation	± 5%	
	Ripple & Noise P-P(max) ³	150mV	
Input	AC Input Voltage Range	90 to 264VAC	
	AC Input Frequency	47 to 63Hz	
	Input Current	0.1A(RMS) max	
	No Load Power Consumption at 115VAC Input	≤0.1W	
	No Load Power Consumption at 230VAC Input	≤0.075W	
	115VAC Average Efficiency ⁴	≥69%	
	230VAC Average Efficiency ⁴	≥69%	
	Leakage Current	20uA max @264VAC/63Hz	
Protection	Over-Voltage	7.5V max	
	Short Circuit	The output can be shorted without damage	
Environmental	Operating Temperature	0°C to +40°C	
	Non-Operating Temperature	-25° to +75°C	
	Operating Humidity	10% to 90% RH max	
Safety Approvals and EMC	Dielectric Withstand (HI-POT)	Primary to Secondary: 3000VAC for 1min, 10mA	
	Insulation Resistance	Primary to Secondary: >7M ohm for 500VDC	
	Standards	AS/NZS 62368.1:2018, AS/NZS 3112:2017	
	EMI Emissions	AS/NZS CISPR 32:2015: Class B Conducted & Radiated	
	Harmonic Current Emissions	IEC 61000-3-2	
	Voltage Fluctuations & Flicker	IEC 61000-3-3	
	Immunity	EN 55024/CISPR 24, EN 55035/CISPR 35: IEC 61000-4-2(Contact: ±8KV, Air: ±15KV), IEC 61000-4-3, IEC 61000-4-4, IEC 61000-4-5 (±2kV), IEC 61000-4-6, IEC 61000-4-8, IEC 61000-4-11	
Mechanical	Dimensions (L x W x H)	70.6mm (2.78in) x 43.5mm (1.71in) x 25.0mm (0.98in)	
	Weight	36g	
	DC Output Connector	USB-A, D+/D- shorted	
	Case Color	Black	White

Notes	<ol style="list-style-type: none">1. The specifications defined are at ambient temperature of 25C, unless otherwise specified.2. Special Order. Minimum order quantity applies.3. 20MHz bandwidth frequency oscilloscope, add a 0.1μF multilayer Cap. and Low ESR Electrolytic Cap. (10μF) at output connector terminals (nominal line voltage, full load).4. Efficiency is measured after 30 minutes burn-in
-------	--

Outline Drawing

AQ03S Outline Drawing



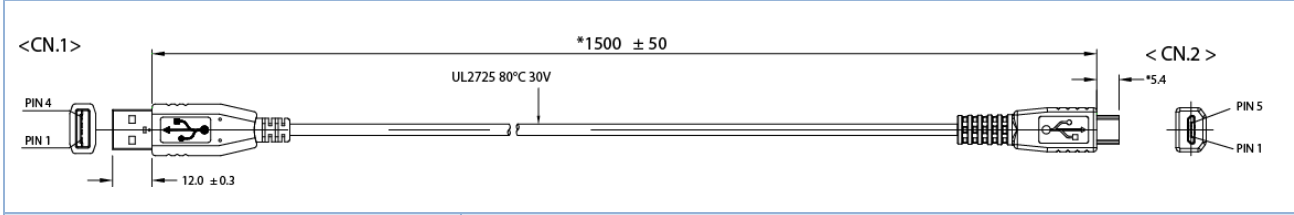
USB Cables

USB Cables – Sold Separately

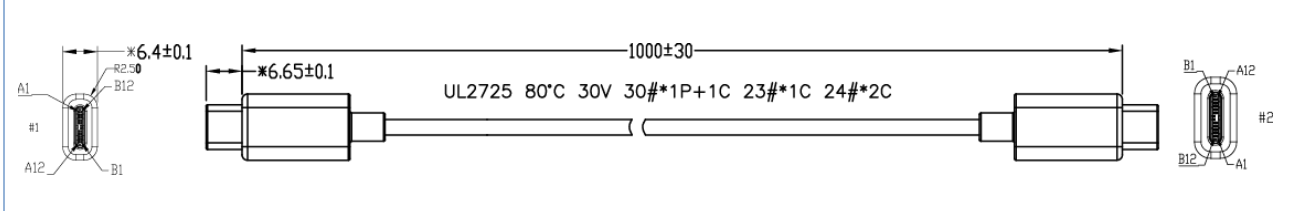
Unit: mm

Part no: IP-USB1(C10)S	Desc: USB-A to Micro-B – 1 Meter – Black
Part no: IPUSB1CS	Desc: USB to Mini-B – 1.5 Meter – Black
Part no: IPUSB1MS	Desc: USB-A to Micro-B – 1.5 Meter – Black
Part no: IPUSB1M5LD	Desc: USB-A to Micro-B – 24AWG – Low Drop – 1.5 Meter – Black
Part no: IPUSB1P5	Desc: USB-A to Micro-B – 1 Meter – 24AWG – Black
Part no: IPUSB1P5W	Desc: USB-A to Micro-B – 1 Meter – 24AWG – White

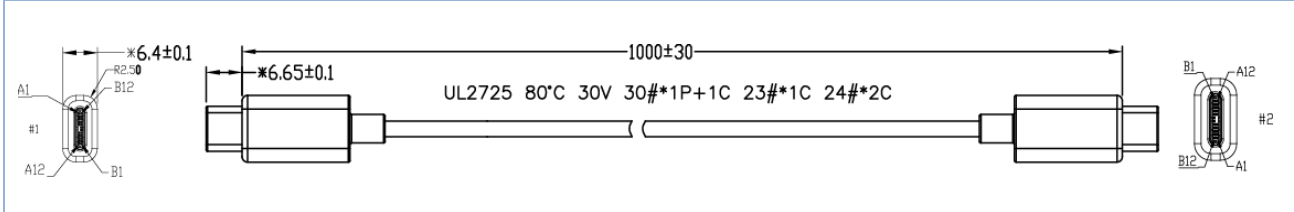
Part no: IPUSB1MSW Desc: USB-A to Micro-B – 1.5 Meter – White



Part no: UES-1001A160 Desc: Low Drop Type-C USB Cable – 1 Meter – 23AWG on Power – 30AWG on Data - Black



Part no: UES-1003A160 Desc: Low Drop Type-C USB Cable - 1 Meter – 23AWG on Power – 30AWG on Data - White



Phihong Locations



Headquarters Phihong Technology Co., Ltd
No. 568, Fuxing 3rd Rd., Gueishan Dist., Taoyuan City (33383), Taiwan
Tel : +886-3-3277288
Fax : +886-3-3277622
phsales@phihong.com.tw
www.phihong.com.tw



Phihong Technology Co. Ltd. (Tainan R&D Center)
No. 99, Zhengnan 1st. Street, Yongkang Dist., Tainan City 71046, Taiwan
Tel : +886-6-254-7588
Fax : +886-6-254-7288
phsales@phihong.com.tw
www.phihong.com.tw



Phihong China
Room 101, Building 5, 133-1 Tiesong Road, Qingxi Town, Dong Guan City, Guangdong (523642), China
Tel : +86-769-87736405
phsales@phihong.com.tw



Phihong USA
47800 Fremont Blvd., Fremont, CA 94538, U.S.A.
Tel : +1-510-445-0100
Fax : +1-510-445-1678
usasales@phihongusa.com
www.phihong.com



Phihong Japan
PMOEX Nihonbashi Kayabacho 10F, 2-12-10
Nihonbashi Kayabacho, Chuo City, Tokyo 103-0025 Japan
Tel : +81-3-6626-5513
Fax : +81-3-6629-0241
phsales@phihong.com.tw
www.phihong.co.jp



Phihong Vietnam
Lot CN5 An Duong Industrial Zone, Hong Phong Commune, An Duong County, Hai Phong City, Vietnam
Tel : +84-22588-31557