

TECHNICAL DATASHEET

# 10W Fixed Blade USB Charger - UK



## Applications

- Tablets
- Portable Devices
- Personal Electronics

## Features

- Fixed Blade
- Ecodesign/ErP Lot 7 (EU) 2019/1782 Compliance
- CoC Version 5 Tier 2 Compliance
- Low Cost
- OVP, OCP, short circuit protections
- Charging scheme: Data Lines (Pins 2 and 3) Shorted

## Safety Standards



## Dimensions

79.6 x 38.0 x 22.3 mm  
(2.17 x 1.50 x 0.88 inch)

## Specifications

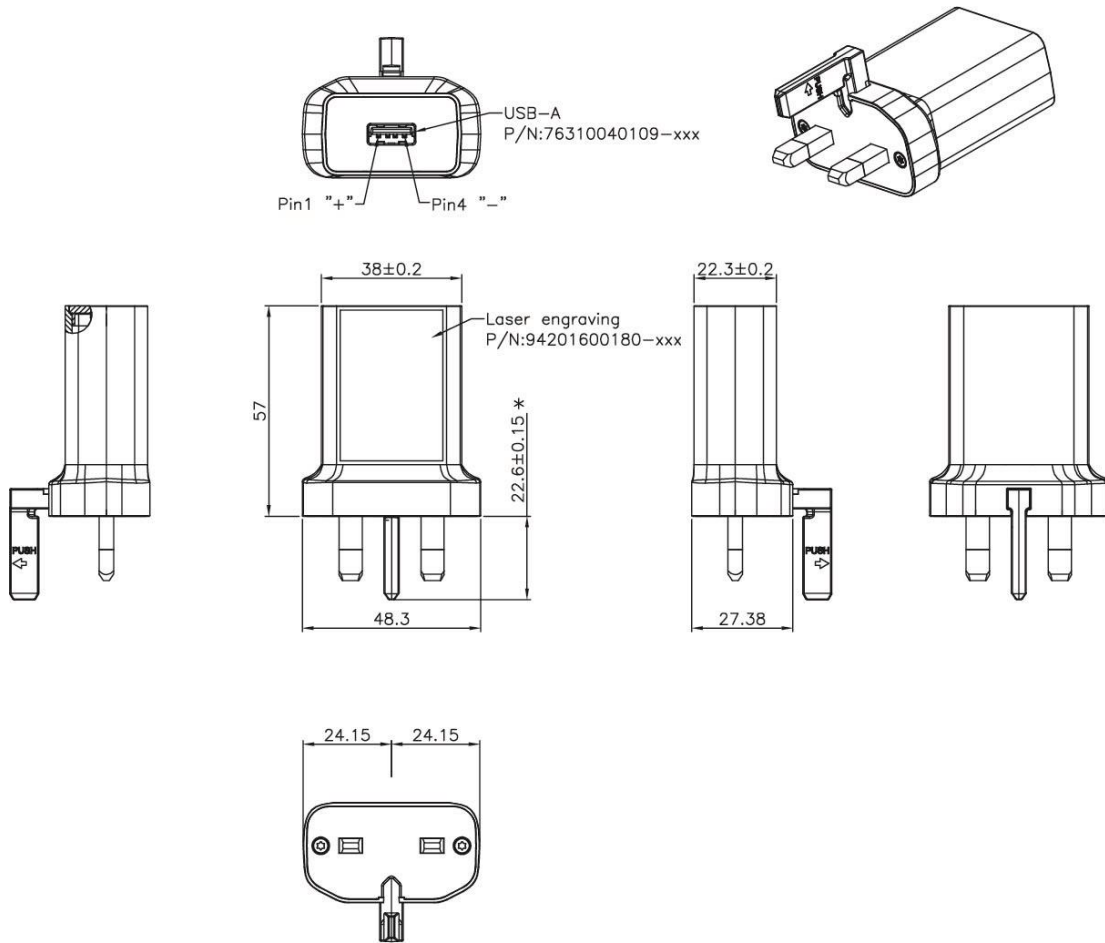
### AQ10K Specifications<sup>1</sup>

Model		AQ10K-050B-H <sup>2</sup>	AQ10K-050BW-H <sup>2</sup>
Output	DC Output Voltage	5.0V	
	Max Current	2.0A	
	Output Power	10.0W	
	Output Tolerance	4.7V ~ 5.4V (at USB-A connector)	
	Ripple & Noise P-P(max) <sup>3</sup>	150mV	
Input	AC Input Voltage Range	90 to 264VAC	
	AC Input Frequency	47 to 63Hz	
	Input Current	0.28A (RMS) max at 115VAC/60Hz, 0.16A (RMS) max at 230VAC/50Hz	
	No Load Power Consumption at 115VAC Input	0.014W	
	No Load Power Consumption at 230VAC Input	0.021W	
	115VAC Average Efficiency <sup>4</sup>	80.40%	
	230VAC Average Efficiency <sup>4</sup>	80.40%	
	230VAC 10% Load Efficiency <sup>4</sup>	76.20%	
	Leakage Current	125uA max @264VAC/50Hz	
Protection	Over-Voltage	8.0V max	
	Short Circuit	The output can be shorted without damage	
	Over-Current	3.0A max	
Environmental	Operating Temperature	0°C to +40°C	
	Non-Operating Temperature	-20° to +70°C	
	Operating Humidity	90% RH max	
Safety Approvals and EMC	Dielectric Withstand (HI-POT)	Primary to Secondary: 3000VAC for 1min, 10mA	
	Insulation Resistance	Primary to Secondary: >10M ohm for 500VDC	
	Standards	IEC 62368-1	
	EMI Emissions	EN 55032/CISPR 32 Class B Conducted and Radiated	
	Harmonic Current Emissions	IEC 61000-3-2	
	Voltage Fluctuations & Flicker	IEC 61000-3-3	
	Immunity	EN 55035/CISRP 35: IEC 61000-4-2(Contact: ±8KV, Air: ±15KV), IEC 61000-4-3, IEC 61000-4-4, IEC 61000-4-5 (±1kV), IEC 61000-4-6, IEC 61000-4-8, IEC 61000-4-11	
Mechanical	Dimensions (L x W x H)	79.6mm (2.17in) x 38.0mm (1.50in) x 22.3mm (0.88in)	
	Weight	40g	
	DC Output Connector	USB-A	
	Case Color	Black	White

Notes	<ol style="list-style-type: none"><li>1. The specifications defined are at ambient temperature of 25C, unless otherwise specified.</li><li>2. Special Order. Minimum order quantity applies.</li><li>3. 20MHz bandwidth frequency oscilloscope, add a 0.1<math>\mu</math>F multilayer Cap. and Low ESR Electrolytic Cap. (10<math>\mu</math>F) at output connector terminals (nominal line voltage, full load).</li><li>4. Efficiency is measured after 30 minutes burn-in</li></ol>
-------	--

Outline Drawing

AQ10K Outline Drawing



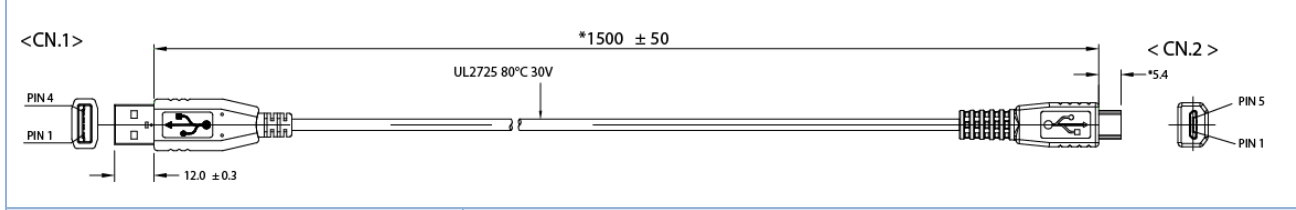
# USB Cables

## USB Cables – Sold Separately

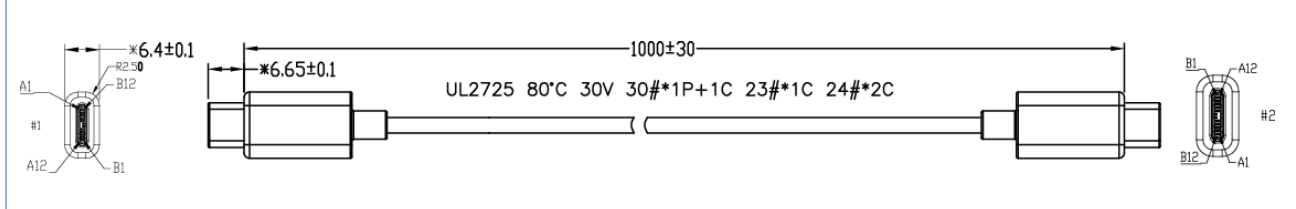
Unit: mm

Part no: IP-USB1(C10)S	Desc: USB-A to Micro-B – 1 Meter – Black
Part no: IPUSB1CS	Desc: USB to Mini-B – 1.5 Meter – Black
Part no: IPUSB1MS	Desc: USB-A to Micro-B – 1.5 Meter – Black
Part no: IPUSB1M5LD	Desc: USB-A to Micro-B – 24AWG – Low Drop – 1.5 Meter – Black
Part no: IPUSB1P5	Desc: USB-A to Micro-B – 1 Meter – 24AWG – Black
Part no: IPUSB1P5W	Desc: USB-A to Micro-B – 1 Meter – 24AWG – White

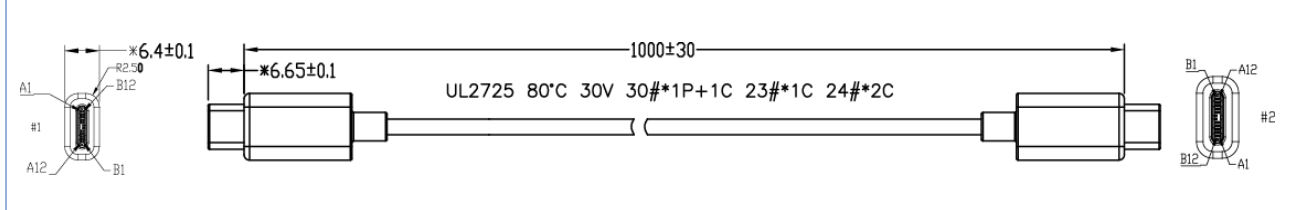
Part no: IPUSB1MSW	Desc: USB-A to Micro-B – 1.5 Meter – White
--------------------	--



Part no: UES-1001A160	Desc: Low Drop Type-C USB Cable – 1 Meter – 23AWG on Power – 30AWG on Data - Black
-----------------------	--



Part no: UES-1003A160	Desc: Low Drop Type-C USB Cable - 1 Meter – 23AWG on Power – 30AWG on Data - White
-----------------------	--



## Phihong Locations



**Headquarters Phihong Technology Co., Ltd**  
No. 568, Fuxing 3rd Rd., Gueishan Dist., Taoyuan City (33383), Taiwan  
Tel : +886-3-3277288  
Fax : +886-3-3277622  
phsales@phihong.com.tw  
www.phihong.com.tw



**Phihong Technology Co. Ltd. (Tainan R&D Center)**  
No. 99, Zhengnan 1st. Street, Yongkang Dist., Tainan City 71046, Taiwan  
Tel : +886-6-254-7588  
Fax : +886-6-254-7288  
phsales@phihong.com.tw  
www.phihong.com.tw



**Phihong China**  
Room 101, Building 5, 133-1 Tiesong Road, Qingxi Town, Dong Guan City, Guangdong (523642), China  
Tel : +86-769-87736405  
phsales@phihong.com.tw



**Phihong USA**  
47800 Fremont Blvd., Fremont, CA 94538, U.S.A.  
Tel : +1-510-445-0100  
Fax : +1-510-445-1678  
usasales@phihongusa.com  
www.phihong.com



**Phihong Japan**  
PMOEX Nihonbashi Kayabacho 10F, 2-12-10  
Nihonbashi Kayabacho, Chuo City, Tokyo 103-0025 Japan  
Tel : +81-3-6626-5513  
Fax : +81-3-6629-0241  
phsales@phihong.com.tw  
www.phihong.co.jp



**Phihong Vietnam**  
Lot CN5 An Duong Industrial Zone, Hong Phong Commune, An Duong County, Hai Phong City, Vietnam  
Tel : +84-22588-31557