

TECHNICAL DATASHEET

10W Fixed Blade USB Charger – AU/NZ



Applications

- Tablets
- Portable Devices
- Personal Electronics

Features

- **Fixed AS/NZS 3112:2017 Compliant Blade**
- **Low Cost**
- **OVP, OCP, short circuit protections**
- **Australian and New Zealand MEPS (Minimum Energy Performance Standards) Compliance**
 - AS/NZS 4665.1:2005 + A1:2009
 - AS/NZS 4665.2:2005 + A1:2009
- **Charging scheme: Data Lines (Pins 2 and 3) Shorted**

Safety Standards



Dimensions

47.0 x 38.0 x 22.3 mm
(1.85 x 1.50 x 0.88 inch)

Specifications

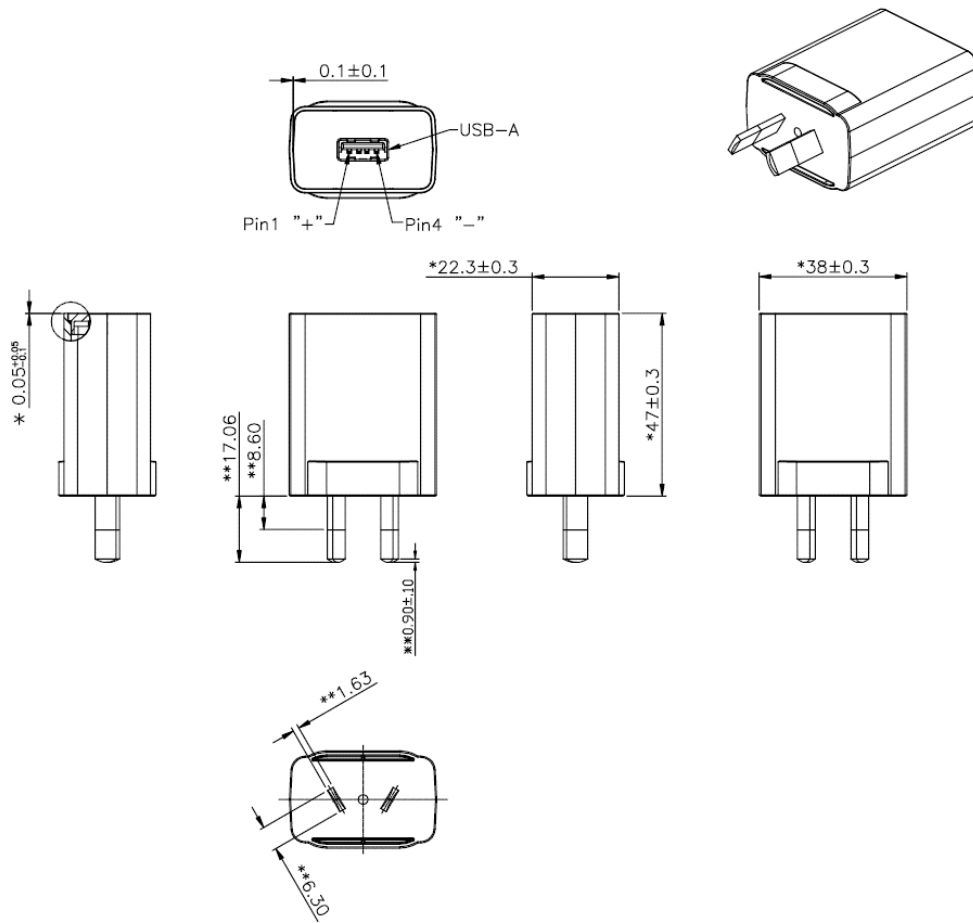
AQ10S Specifications¹

Model		AQ10S-050B-H ²	AQ10S-050BW-H ²
Output	DC Output Voltage	5.0V	
	Max Current	2.0A	
	Output Power	10.0W	
	Output Tolerance	4.7V ~ 5.4V (at USB-A connector)	
	Ripple & Noise P-P(max) ³	150mV	
Input	AC Input Voltage Range	90 to 264VAC	
	AC Input Frequency	47 to 63Hz	
	Input Current	0.28A (RMS) max at 115VAC/60Hz, 0.16A (RMS) max at 230VAC/50Hz	
	No Load Power Consumption at 115VAC Input	≤0.1W	
	No Load Power Consumption at 230VAC Input	≤0.075W	
	115VAC Average Efficiency ⁴	≥78.7%	
	230VAC Average Efficiency ⁴	≥79.0%	
	230VAC 10% Load Efficiency ⁴	≥69.7%	
	Leakage Current	125uA max @264VAC/50Hz	
Protection	Over-Voltage	8.0V max	
	Short Circuit	Auto-recover. The output can be shorted without damage	
	Over-Current	3.0A max	
Environmental	Operating Temperature	0°C to +40°C	
	Non-Operating Temperature	-20° to +70°C	
	Operating Humidity	90% RH max	
Safety Approvals and EMC	Dielectric Withstand (HI-POT)	Primary to Secondary: 3000VAC for 1min, 10mA	
	Insulation Resistance	Primary to Secondary: >10M ohm for 500VDC	
	Standards	AS/NZS 62368.1:2018	
	EMI Emissions	AS/NZS CISPR 32:2015: Class B Conducted & Radiated	
	Harmonic Current Emissions	IEC 61000-3-2	
	Voltage Fluctuations & Flicker	IEC 61000-3-3	
	Immunity	EN 55035/CISRP 35: IEC 61000-4-2(Contact: ±8KV, Air: ±15KV), IEC 61000-4-3, IEC 61000-4-4, IEC 61000-4-5 (±1kV), IEC 61000-4-6, IEC 61000-4-8, IEC 61000-4-11	
Mechanical	Dimensions (L x W x H)	47.0mm (1.85in) x 38.0mm (1.50in) x 22.3mm (0.88in)	
	Weight	40g	
	DC Output Connector	USB-A	
	Case Color	Black	White

Notes	<ol style="list-style-type: none">1. The specifications defined are at ambient temperature of 25C, unless otherwise specified.2. Special Order. Minimum order quantity applies.3. 20MHz bandwidth frequency oscilloscope, add a 0.1μF multilayer Cap. and Low ESR Electrolytic Cap. (10μF) at output connector terminals (nominal line voltage, full load).4. Efficiency is measured after 30 minutes burn-in
-------	--

Outline Drawing

AQ10S Outline Drawing



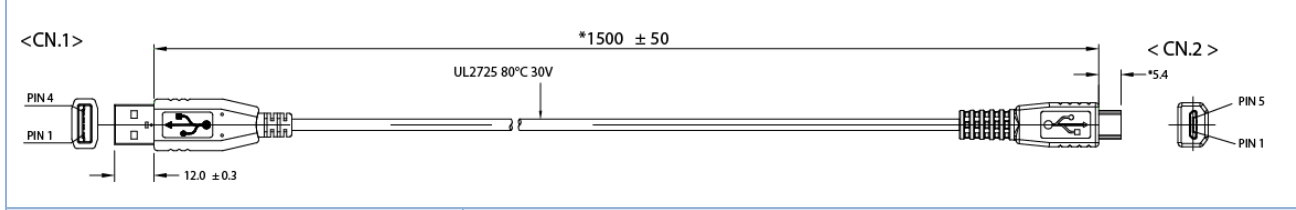
USB Cables

USB Cables – Sold Separately

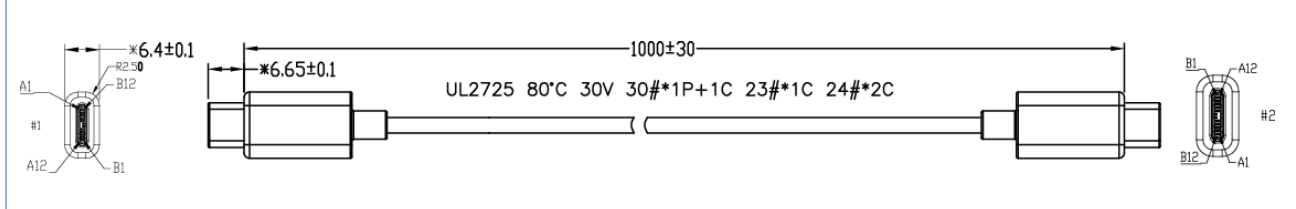
Unit: mm

Part no: IP-USB1(C10)S	Desc: USB-A to Micro-B – 1 Meter – Black
Part no: IPUSB1CS	Desc: USB to Mini-B – 1.5 Meter – Black
Part no: IPUSB1MS	Desc: USB-A to Micro-B – 1.5 Meter – Black
Part no: IPUSB1M5LD	Desc: USB-A to Micro-B – 24AWG – Low Drop – 1.5 Meter – Black
Part no: IPUSB1P5	Desc: USB-A to Micro-B – 1 Meter – 24AWG – Black
Part no: IPUSB1P5W	Desc: USB-A to Micro-B – 1 Meter – 24AWG – White

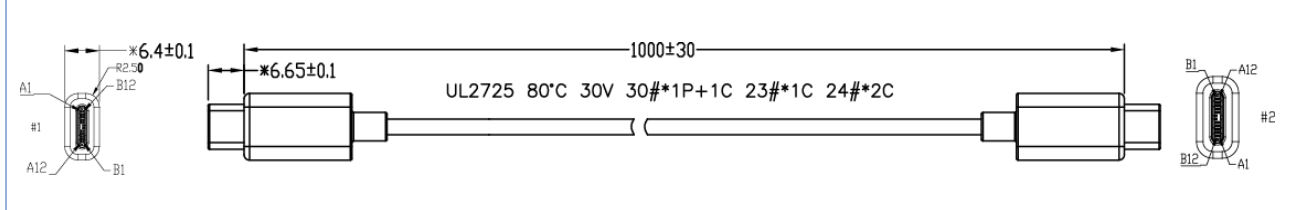
Part no: IPUSB1MSW	Desc: USB-A to Micro-B – 1.5 Meter – White
--------------------	--



Part no: UES-1001A160	Desc: Low Drop Type-C USB Cable – 1 Meter – 23AWG on Power – 30AWG on Data - Black
-----------------------	--



Part no: UES-1003A160	Desc: Low Drop Type-C USB Cable - 1 Meter – 23AWG on Power – 30AWG on Data - White
-----------------------	--



Phihong Locations



Headquarters Phihong Technology Co., Ltd
 No. 568, Fuxing 3rd Rd., Gueishan Dist., Taoyuan City (33383), Taiwan
 Tel : +886-3-3277288
 Fax : +886-3-3277622
phsales@phihong.com.tw
www.phihong.com.tw



Phihong Technology Co. Ltd. (Tainan R&D Center)
 No. 99, Zhengnan 1st. Street, Yongkang Dist., Tainan City 71046, Taiwan
 Tel : +886-6-254-7588
 Fax : +886-6-254-7288
phsales@phihong.com.tw
www.phihong.com.tw



Phihong China
 Room 101, Building 5, 133-1 Tiesong Road, Qingxi Town, Dong Guan City, Guangdong (523642), China
 Tel : +86-769-87736405
phsales@phihong.com.tw



Phihong USA
 47800 Fremont Blvd., Fremont, CA 94538, U.S.A.
 Tel : +1-510-445-0100
 Fax : +1-510-445-1678
usasales@phihongusa.com
www.phihong.com



Phihong Japan
 PMOEX Nihonbashi Kayabacho 10F, 2-12-10
 Nihonbashi Kayabacho, Chuo City, Tokyo 103-0025 Japan
 Tel : +81-3-6626-5513
 Fax : +81-3-6629-0241
phsales@phihong.com.tw
www.phihong.co.jp



Phihong Vietnam
 Lot CN5 An Duong Industrial Zone, Hong Phong Commune, An Duong County, Hai Phong City, Vietnam
 Tel : +84-22588-31557