

## TECHNICAL DATASHEET

# 10W Fixed Blade USB Charger - US



## Applications

- Tablets
- Portable GPS Devices
- Personal Electronics
- Digital Camera

## Features

- **Fixed Blade**
- **Very low leakage**
- **Level VI Compliant**
- **Low Cost**
- **OVP, OCP and short circuit protections**

## Safety Standards



## Dimensions

47.0 x 38.0 x 22.3 mm

(1.85 x 1.49 x 0.88 inch)

## Specifications

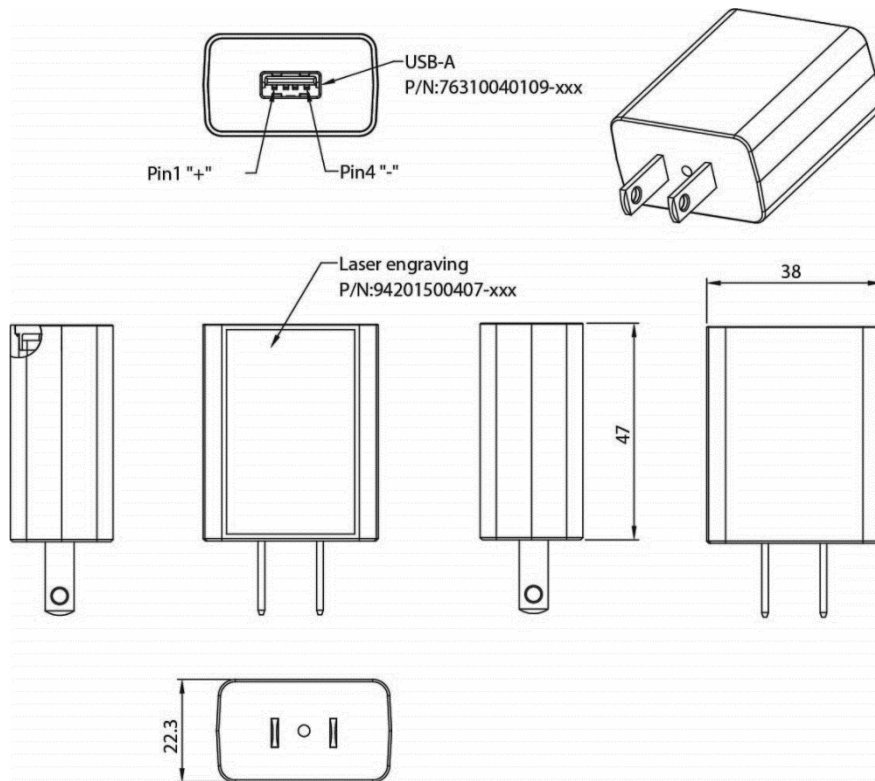
### AQ10A Specifications<sup>1</sup>

Model		AQ10A-050B-H <sup>2</sup>	AQ10A-050BP-H <sup>3</sup>	AQ10A-050BW-H <sup>2</sup>
Output	DC Output Voltage	5.0V		
	Max Current	2.0A		
	Output Power	10.0W		
	Regulation Line & Load	± 5%		
	Ripple(Pk-Pk) <sup>4</sup>	150mV		
	Efficiency <sup>5</sup>	DOE Level VI, CoC V5 Tier 2		
	Hold-up Time	6mS min at 115Vac/60Hz		
Input	AC Input Voltage Rating	100 to 240VAC		
	AC Input Voltage Range	90 to 264VAC		
	Input Current	0.28A (RMS) max at 115VAC/60Hz, 0.16A (RMS) max at 230VAC/50Hz		
	Efficiency	79% Min.		
	Leakage Current	125uA max @264VAC/50Hz		
	Inrush Current (cold)	<60A max @230VAC/50Hz (Cold start @ ambient 25°C)		
	Power Saving	≤ 75mW @no load at 230VAC/50Hz		
Protection	Over-Voltage	8V max		
	Short Circuit	Auto recovery and no component damage		
	Over-Current	3A max		
Environmental	Operating Temperature	0°C to +40°C		
	Non-Operating Temperature	-20° to +70°C		
	Operating Humidity	90%		
Safety Approvals and EMC	Dielectric Withstand (HI-POT)	Primary to Secondary: 3000VAC for 1min, 10mA		
	Insulation Resistance	Primary to Secondary: >10M ohm for 500VDC		
	Standards	cULus 62368-1		
	EMI Emissions	Complies with FCC Class B, Complies with EN55032 Class B		
	Immunity	ESD: EN61000-4-2, RS: EN61000-4-3, EFT: EN61000-4-4, Surge: EN61000-4-5, Dip: EN61000-4-11		
Mechanical	Dimensions (L x W x H)	47.0mm (1.85in) x 38.0mm (1.49in) x 22.3mm (0.88in)		
	Weight	40g		
	DC Output Connector	USB-A		
	Case Color	Black	Black	White

Notes	<ol style="list-style-type: none"><li>1. The specifications defined are at ambient temperature of 25C, unless otherwise specified.</li><li>2. Special order MOQ; The charging scheme: Data Lines (Pins 2 and 3) Shorted.</li><li>3. Supports 5 charging methods:<ol style="list-style-type: none"><li>a. Divider 1 (DCP Applying 2V on D+ Line and 2.7V on D- Line)</li><li>b. Divider 2 (DCP Applying 2.7V on D+ Line and 2V on D- Line)</li><li>c. USB Battery Charging Specification Revision 1.2 (BC1.2)</li><li>d. Chinese Telecommunications Industry Standard YD/T 1591-2009</li><li>e. 1.2V on both D+ and D- lines</li></ol></li><li>4. Measuring is done by 20MHz bandwidth oscilloscope and terminated each output with a 10uF aluminum electrolytic capacitor and a 0.1uF ceramic capacitor.</li><li>5. Efficiency is measured after 30 minutes burn-in</li></ol>
-------	---

# Outline Drawing

Dimension Diagram Unit: mm



## Phihong Locations



**Headquarters Phihong Technology Co., Ltd**  
No. 568, Fuxing 3rd Rd., Gueishan Dist., Taoyuan City (33383), Taiwan  
Tel : +886-3-3277288  
Fax : +886-3-3277622  
phsales@phihong.com.tw  
www.phihong.com.tw



**Phihong Technology Co. Ltd. (Tainan R&D Center)**  
No. 99, Zhengnan 1st. Street, Yongkang Dist., Tainan City 71046, Taiwan  
Tel : +886-6-254-7588  
Fax : +886-6-254-7288  
phsales@phihong.com.tw  
www.phihong.com.tw



**Phihong China**  
Room 101, Building 5, 133-1 Tiesong Road, Qingxi Town, Dong Guan City, Guangdong (523642), China  
Tel : +86-769-87736405  
phsales@phihong.com.tw



**Phihong USA**  
47800 Fremont Blvd., Fremont, CA 94538, U.S.A.  
Tel : +1-510-445-0100  
Fax : +1-510-445-1678  
usasales@phihongusa.com  
www.phihong.com



**Phihong Japan**  
PMOEX Nihonbashi Kayabacho 10F, 2-12-10  
Nihonbashi Kayabacho, Chuo City, Tokyo 103-0025 Japan  
Tel : +81-3-6626-5513  
Fax : +81-3-6629-0241  
phsales@phihong.com.tw  
www.phihong.co.jp



**Phihong Vietnam**  
Lot CN5 An Duong Industrial Zone, Hong Phong Commune, An Duong County, Hai Phong City, Vietnam  
Tel : +84-22588-31557