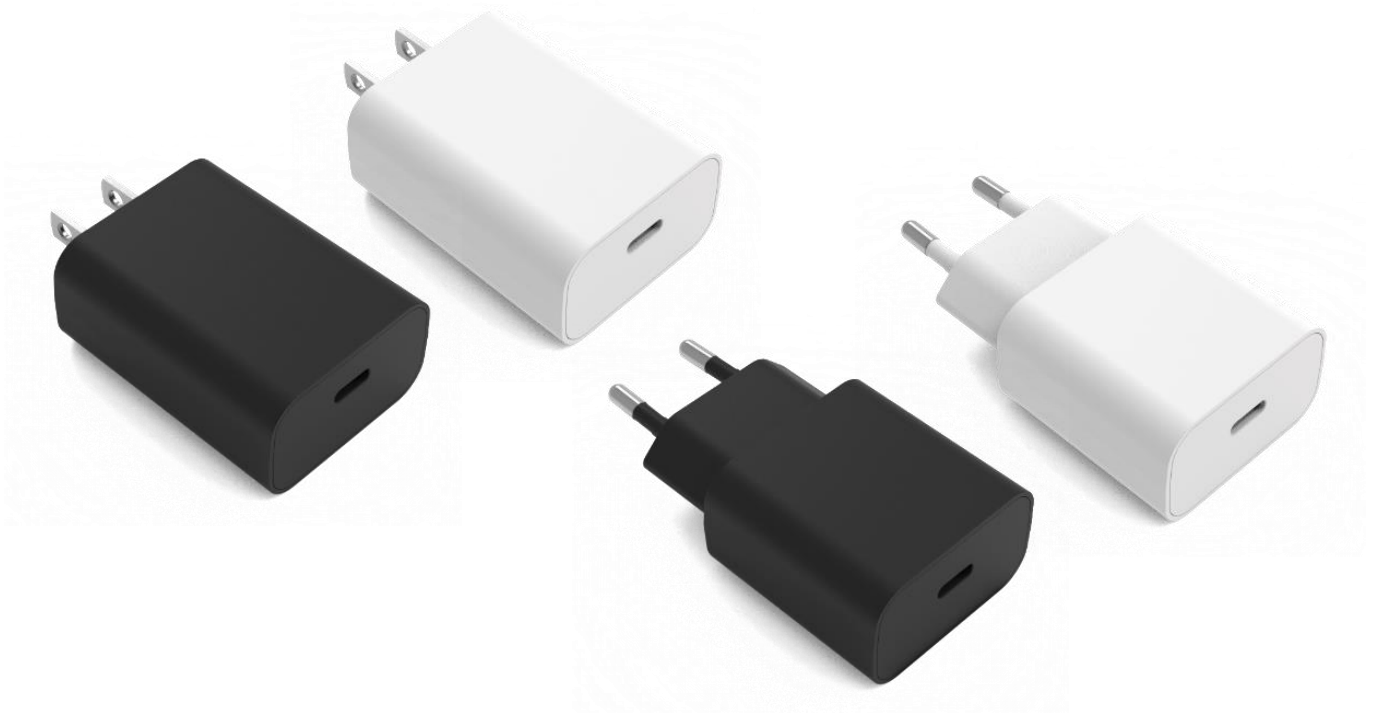


TECHNICAL DATASHEET

# 15W Fixed Blade USB Charger With USB Type-C



## Applications

- Mobile Phone
- Networking Devices
- Tablet

## Features

- USB Type-C
- Fixed Blade
- Ecodesign/ErP Lot 7 (EU) 2019/1782 Compliance
- CoC Version 5 Tier 2 Compliance
- Voltage Drop Compensation
- Complies with USB Battery Charging 1.2
- Limited Power Source (LPS)
- Class B EMI
- OVP and short circuit protection

## Safety Standards



## Dimensions

### US:

52.0 x 40.0 x 23.3 mm  
(2.05 x 1.57 x 0.92 inch)

### EU:

58.0 x 40.0 x 23.3 mm  
(2.28 x 1.57 x 0.92 inch)

## Specifications

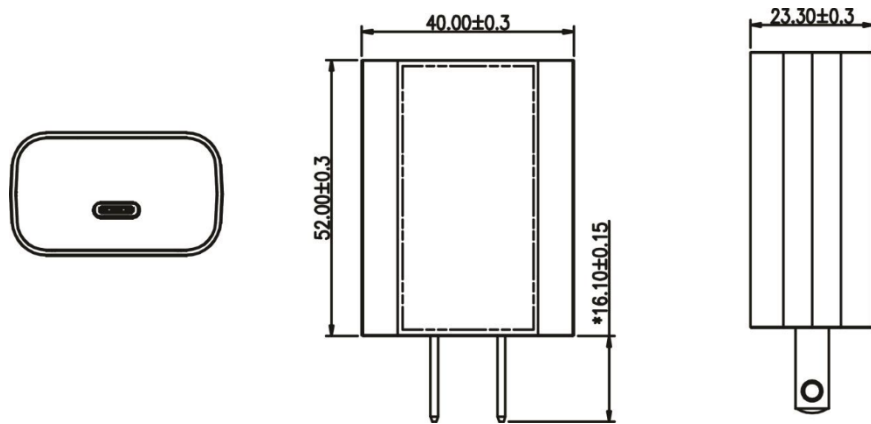
### AQ15X Specifications<sup>1</sup>

Model		AQ15A-050A-H	AQ15A-050AW-H <sup>2</sup>
Output	DC Output Voltage	5.0V	
	Max Current	3.0A	
	Output Power	15W	
	Regulation	± 5%	
	Ripple & Noise P-P(max) <sup>3</sup>	150mV	
Input	AC Input Voltage Range	90 to 264VAC	
	AC Input Frequency	47 to 63Hz	
	Input Current	0.5A(RMS) max at 100VAC	
	Inrush Current	60A max at 240VAC, Cold Start	
	No Load Power Consumption at 115VAC Input	0.02W	
	No Load Power Consumption at 230VAC Input	0.038W	
	115VAC Average Efficiency <sup>4</sup>	83.07%	
	230VAC Average Efficiency <sup>4</sup>	83.80%	
	230VAC 10% Load Efficiency <sup>4</sup>	77.00%	
	Leakage Current	20uA max	
Protection	Over-Voltage	9.0V max	
	Short Circuit	Auto recover	
Environmental	Operating Temperature	0°C to +40°C	
	Non-Operating Temperature	-40° to +85°C	
	Operating Humidity	90% RH max	
Safety Approvals and EMC	Dielectric Withstand (HI-POT)	Primary to Secondary: 3000VAC for 1min, 3mA	
	Insulation Resistance	Primary to Secondary: >30M ohm for 500VDC	
	Standards	cULus 62368-1	
	EMI Emissions	EN 55032/CISPR 32 Class B Conducted and Radiated	
	Harmonic Current Emissions	IEC 61000-3-2	
	Voltage Fluctuations & Flicker	IEC 61000-3-3	
	Immunity	EN 55035/CISPR 35: IEC 61000-4-2 (Contact: ±8KV, Air: ±15KV), IEC 61000-4-3, IEC 61000-4-4, IEC 61000-4-5 (± 1kV), IEC 61000-4-6, IEC 61000-4-8, IEC 61000-4-11	
Mechanical	Dimensions (L x W x H)	52.0mm (2.05in) x 40.0mm (1.57in) x 23.3mm (0.92in)	
	DC Output Connector	USB-C	
	Case Color	Black	White

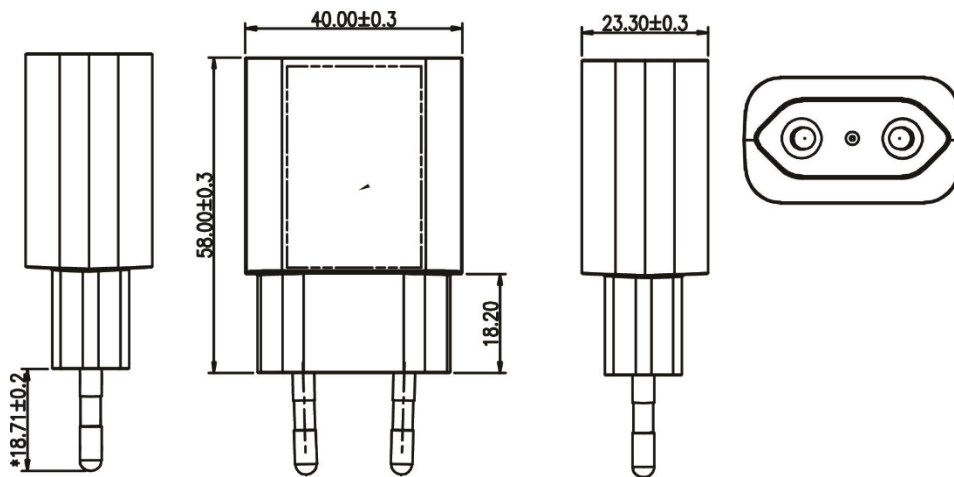
Model		AQ15E-050A-H	AQ15E-050AW-H <sup>2</sup>
Output	DC Output Voltage	5.0V	
	Max Current	3.0A	
	Output Power	15W	
	Regulation	± 5%	
	Ripple & Noise P-P(max) <sup>3</sup>	150mV	
Input	AC Input Voltage Range	90 to 264VAC	
	AC Input Frequency	47 to 63Hz	
	Input Current	0.5A(RMS) max at 100VAC	
	Inrush Current	60A max at 240VAC, Cold Start	
	No Load Power Consumption at 115VAC Input	0.02W	
	No Load Power Consumption at 230VAC Input	0.038W	
	115VAC Average Efficiency <sup>4</sup>	83.07%	
	230VAC Average Efficiency <sup>4</sup>	83.80%	
	230VAC 10% Load Efficiency <sup>4</sup>	77.00%	
	Leakage Current	20uA max	
Protection	Over-Voltage	9.0V max	
	Short Circuit	Auto recover	
Environmental	Operating Temperature	0°C to +40°C	
	Non-Operating Temperature	-40° to +85°C	
	Operating Humidity	90% RH max	
Safety Approvals and EMC	Dielectric Withstand (HI-POT)	Primary to Secondary: 3000VAC for 1min, 3mA	
	Insulation Resistance	Primary to Secondary: >30M ohm for 500VDC	
	Standards	IEC 62368-1	
	EMI Emissions	EN 55032/CISPR 32 Class B Conducted and Radiated	
	Harmonic Current Emissions	IEC 61000-3-2	
	Voltage Fluctuations & Flicker	IEC 61000-3-3	
	Immunity	EN 55035/CISPR 35: IEC 61000-4-2 (Contact: ±8KV, Air: ±15KV), IEC 61000-4-3, IEC 61000-4-4, IEC 61000-4-5 (± 1kV), IEC 61000-4-6, IEC 61000-4-8, IEC 61000-4-11	
Mechanical	Dimensions (L x W x H)	58.0mm (2.28in) x 40.0mm (1.57in) x 23.3mm (0.92in)	
	DC Output Connector	USB-C	
	Case Color	Black	White
Notes	<ol style="list-style-type: none"> <li>1. The specifications defined are at ambient temperature of 25°C, unless otherwise specified.</li> <li>2. Special order MOQ</li> <li>3. 20MHz bandwidth frequency oscilloscope, add a 0.1μF multilayer Cap. and Low ESR Electrolytic Cap. (10μF) at output connector terminals (nominal line voltage, full load).</li> <li>4. Efficiency is measured after 30 minutes burn-in</li> </ol>		

## Outline Drawing

### AQ15A Outline Drawing



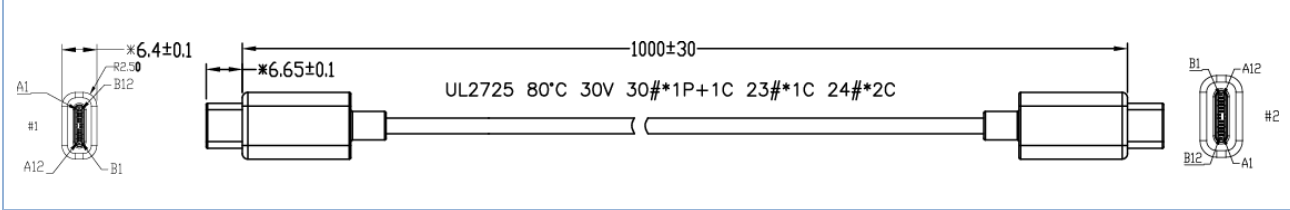
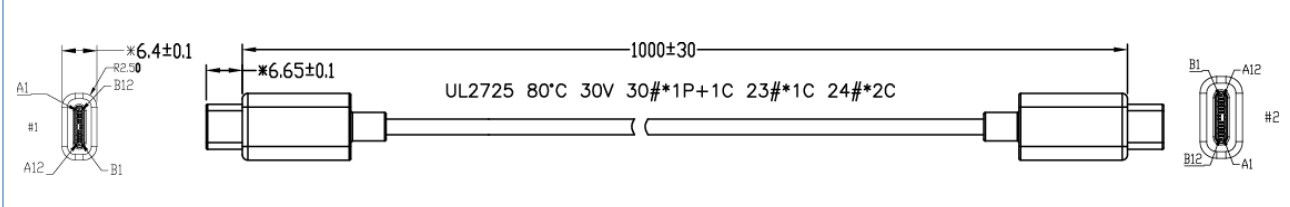
### AQ15E Outline Drawing



## USB Cables

### USB Cables – Sold Separately

Unit: mm

<p>Part no: UES-1001A160</p>	<p>Desc: Low Drop Type-C USB Cable – 1 Meter – 23AWG on Power – 30AWG on Data - Black</p>
	
<p>Part no: UES-1003A160</p>	<p>Desc: Low Drop Type-C USB Cable - 1 Meter – 23AWG on Power – 30AWG on Data - White</p>
	

## Phihong Locations



**Headquarters Phihong Technology Co., Ltd**  
No. 568, Fuxing 3rd Rd., Gueishan Dist., Taoyuan City (33383), Taiwan  
Tel : +886-3-3277288  
Fax : +886-3-3277622  
phsales@phihong.com.tw  
www.phihong.com.tw



**Phihong Technology Co. Ltd. (Tainan R&D Center)**  
No. 99, Zhengnan 1st. Street, Yongkang Dist., Tainan City 71046, Taiwan  
Tel : +886-6-254-7588  
Fax : +886-6-254-7288  
phsales@phihong.com.tw  
www.phihong.com.tw



**Phihong China**  
Room 101, Building 5, 133-1 Tiesong Road, Qingxi Town, Dong Guan City, Guangdong (523642), China  
Tel : +86-769-87736405  
phsales@phihong.com.tw



**Phihong USA**  
47800 Fremont Blvd., Fremont, CA 94538, U.S.A.  
Tel : +1-510-445-0100  
Fax : +1-510-445-1678  
usasales@phihongusa.com  
www.phihong.com



**Phihong Japan**  
PMOEX Nihonbashi Kayabacho 10F, 2-12-10  
Nihonbashi Kayabacho, Chuo City, Tokyo 103-0025 Japan  
Tel : +81-3-6626-5513  
Fax : +81-3-6629-0241  
phsales@phihong.com.tw  
www.phihong.co.jp



**Phihong Vietnam**  
Lot CN5 An Duong Industrial Zone, Hong Phong Commune, An Duong County, Hai Phong City, Vietnam  
Tel : +84-22588-31557