

TECHNICAL DATASHEET

27W Fixed Blade USB-C Charger with Power Delivery 3.0 - EU



Applications

- Mobile Phones
- Networking Devices
- Tablets

Features

- **USB Type-C**
- **Power Delivery 3.0 Compliance**
- **Fixed Blade**
- **Ecodesign/ErP Lot 7 (EU) 2019/1782 Compliance**
- **CoC Version 5 Tier 2 Compliance**
- **Limited Power Source (LPS)**
- **Class B EMI**
- **OVP and short circuit protection**

Safety Standards



Dimensions

72.0 x 46.0 x 23.0 mm
(2.83 x 1.81 x 0.91 inch)

Specifications

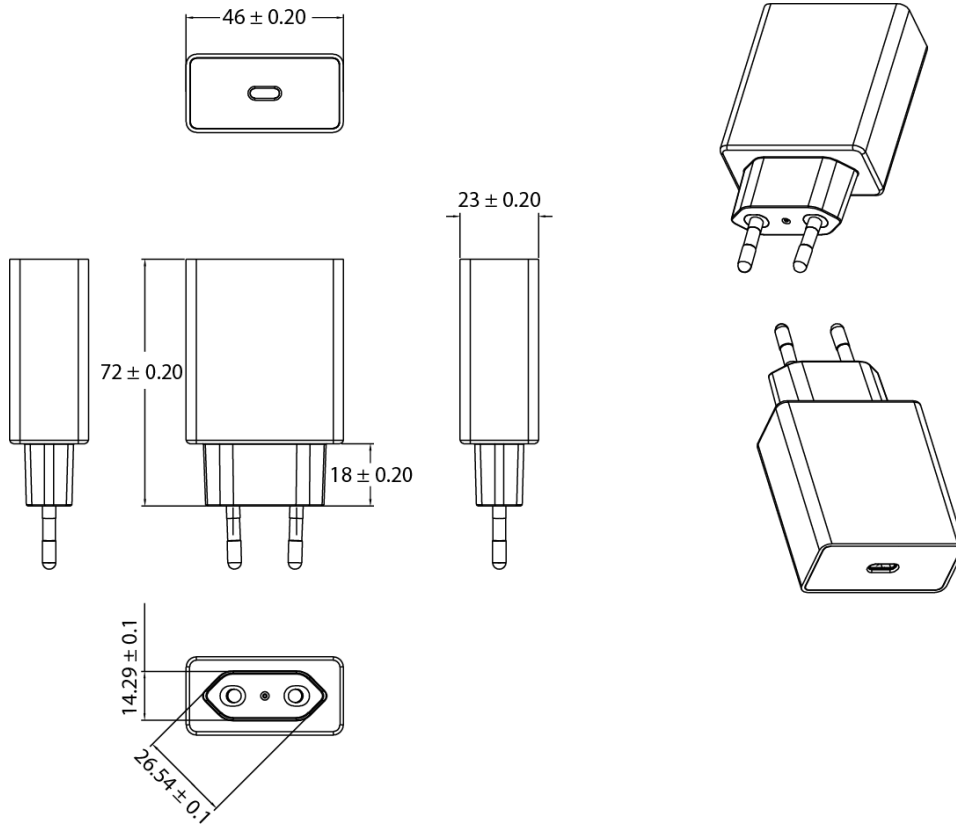
AQ27E Specifications¹

Model		AQ27E-59A-H	AQ27E-59CFA-H
Output	DC Output Voltage	5.0V/9.0V	5.0V/9.0V/12.0V/15.0V
	Max Current	3.0A/3.0A	3.0A/3.0A/2.25A/1.8A
	Output Power	18.0W/27.0W	18.0W/27.0W/27.0W/27.0W
	Regulation	± 5%	
	Ripple & Noise P-P(max) ²	200mV	
Input	AC Input Voltage Range	90 to 264VAC	
	AC Input Frequency	47 to 63Hz	
	Input Current	0.8A (RMS) max at 100VAC	
	No Load Power Consumption at 115VAC Input	0.075W	
	No Load Power Consumption at 230VAC Input	0.029W	
	115VAC Average Efficiency ³	5V: 87.86%, 9V: 89.29%	5V: 87.86%, 9V: 89.29%, 12V: 89.54%, 15V: 89.26%
	230VAC Average Efficiency ³	5V: 86.53%, 9V: 88.86%	5V: 86.53%, 9V: 88.86%, 12V: 89.17%, 15V: 88.84%
	230VAC 10% Load Efficiency ³	5V: 80.44%, 9V: 82.21%	5V: 80.44%, 9V: 82.21%, 12V: 80.64%, 15V: 78.2%
	Leakage Current	65uA max at 250VAC 50Hz	
Protection	Over-Voltage	Auto-recover. 130% max	
	Over-current	Auto-recover. Trip point is less than 130% of I _o	
	Short Circuit	Auto-recover	
	Over Temperature	Latch off. No damage.	
Environmental	Operating Temperature	0°C to +40°C	
	Non-Operating Temperature	-30° to +85°C	
	Operating Humidity	10% to 90% RH	
Safety Approvals and EMC	Dielectric Withstand (HI-POT)	Primary to Secondary: 3000VAC for 1min, 3mA	
	Insulation Resistance	Primary to Secondary: >100M ohm for 500VDC	
	Standards	IEC 62368-1	
	EMI Emissions	EN 55032/CISPR 32 Class B Conducted and Radiated	
	Harmonic Current Emissions	IEC 61000-3-2	
	Voltage Fluctuations & Flicker	IEC 61000-3-3	
	Immunity	EN 55035/CISPR 35: IEC 61000-4-2 (Contact: ±8KV, Air: ±15KV), IEC 61000-4-3, IEC 61000-4-4, IEC 61000-4-5 (±1kV), IEC 61000-4-6, IEC 61000-4-8, IEC 61000-4-11	

Mechanical	Dimensions (L x W x H)	72.0mm (2.83in) x 46.0mm (1.81in) x 23.0mm (0.91in)
	DC Output Connector	USB-C
Notes	<ol style="list-style-type: none"> 1. The specifications defined are at ambient temperature of 25°C, unless otherwise specified. 2. 20MHz bandwidth frequency oscilloscope, add a 0.1μF multilayer Cap. and Low ESR Electrolytic Cap. (10μF) at output connector terminals (nominal line voltage, full load). 3. Efficiency is measured after 30 minutes burn-in 	

Outline Drawing

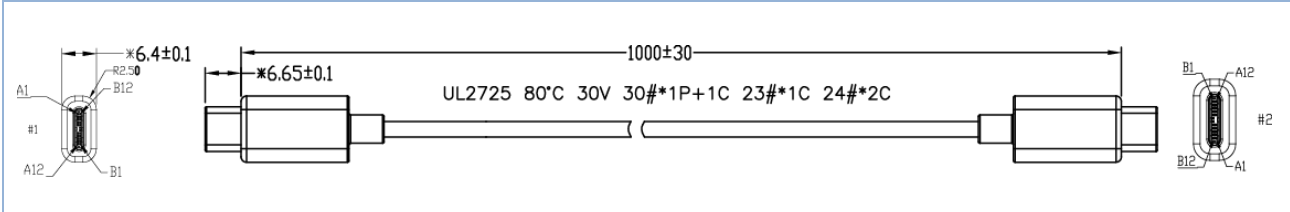
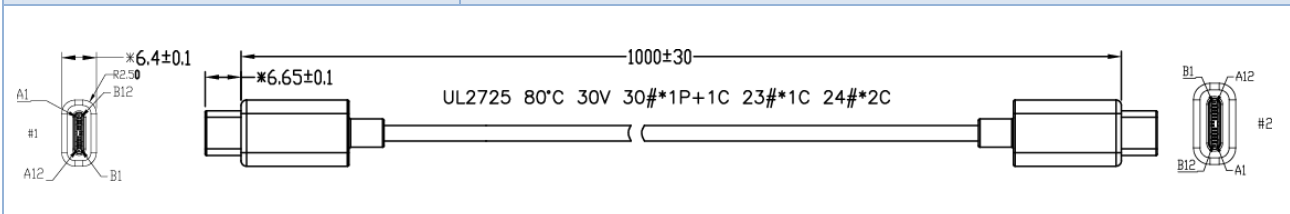
AQ27E Outline Drawing



USB Cables

USB Cables – Sold Separately

Unit: mm

Part no: UES-1001A160	Desc: Low Drop Type-C USB Cable – 1 Meter – 23AWG on Power – 30AWG on Data - Black
	
Part no: UES-1003A160	Desc: Low Drop Type-C USB Cable - 1 Meter – 23AWG on Power – 30AWG on Data - White
	

Phihong Locations



Headquarters Phihong Technology Co., Ltd
 No. 568, Fuxing 3rd Rd., Gueishan Dist., Taoyuan City (33383), Taiwan
 Tel : +886-3-3277288
 Fax : +886-3-3277622
phsales@phihong.com.tw
www.phihong.com.tw



Phihong Technology Co. Ltd. (Tainan R&D Center)
 No. 99, Zhengnan 1st. Street, Yongkang Dist., Tainan City 71046, Taiwan
 Tel : +886-6-254-7588
 Fax : +886-6-254-7288
phsales@phihong.com.tw
www.phihong.com.tw



Phihong China
 Room 101, Building 5, 133-1 Tiesong Road, Qingxi Town, Dong Guan City, GuangDong (523642), China
 Tel : +86-769-87736405
phsales@phihong.com.tw



Phihong USA
 47800 Fremont Blvd., Fremont, CA 94538, U.S.A.
 Tel : +1-510-445-0100
 Fax : +1-510-445-1678
usasales@phihongusa.com
www.phihong.com



Phihong Japan
 PMOEX Nihonbashi Kayabacho 10F, 2-12-10
 Nihonbashi Kayabacho, Chuo City, Tokyo 103-0025 Japan
 Tel : +81-3-6626-5513
 Fax : +81-3-6629-0241
phsales@phihong.com.tw
www.phihong.co.jp



Phihong Vietnam
 Lot CN5 An Duong Industrial Zone, Hong Phong Commune, An Duong County, Hai Phong City, Vietnam
 Tel : +84-22588-31557