

TECHNICAL DATASHEET

# DC-DC Power over Ethernet Splitter

## Fully Compliant IEEE802.3af PD Power Supply



### Applications

- IP Telephones
- Security Cameras
- Wireless Network Access Points
- IP Print Servers
- Blue Tooth Access Points

### Features

- Fully Compliant IEEE802.3af DC Power Supply
- Gigabit Compatible
- Full Protection OTP, OCP, OVP
- DC Good LED
- 1 Year Warranty
- Non-Vented Case

### Safety Standards



### Dimensions

100 x 56 x 28 mm  
(3.94 x 2.2 x 1.1 inch)

### Safety Approvals

- CE

### Output Specifications

Model	DC Output Voltage	Output Current
POE14-033-R	3.3V	2.5A
POE14-050-R	5V	2.5A
POE14-120-R	12V	1.17A

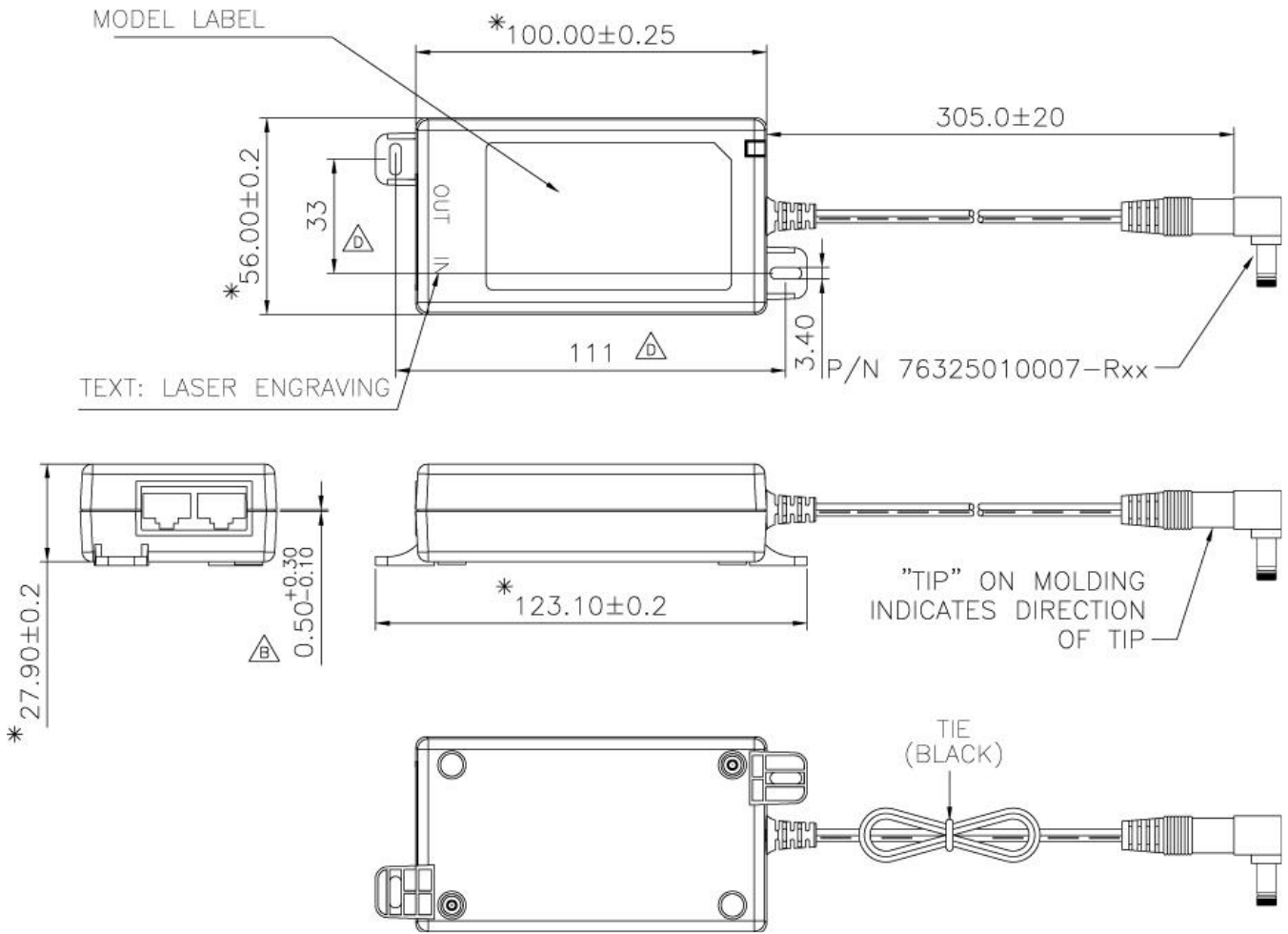
Reference files: POE14\_user\_manual.pdf

## Specifications

### POE14 Characteristics<sup>1</sup>

Model		POE14-033-R POE14-050-R POE14-120-R		
Output	Regulation	Line and Load $\pm 5\%$		
	Ripple	12V model 120mVp-p 5V & 3.3V models 75mVp-p		
	Output Power	Output Model	Limit	
		3.3V	8.25W at 36-57V DC	
		5V	12.5W at 36-57V DC	
		12V	12W at 36-55V DC	
12V	14W at 55-57V DC			
Efficiency <sup>2</sup>	72% (typical) at max load and 48V DC			
Input	Input Voltage Range	36 to 56V DC; Receives power from either data or spare pairs		
	Input Current	0.6A (DC) 36 V DC at max load		
	Inrush Current	0.4A maX		
Environmental	Temperature	Operating 0°C to +40°C		
		Non-Operating -25° to +65°C		
	Immunity	Humidity 5 to 90%		
		ESD: EN61000-4-2 Level 3 RS: EN61000-4-3 Level 2 EFT: EN61000-4-4 Level 2 Surge: EN61000-4-5 Level 3 CS: EN61000-4-6 Level 2 Voltage Dips: EN61000-4-11Harmonic: EN61000-3-2 Note: CS, Surge, Harmonics and Dips tested with POE20U		
		Complies with FCC Class B Complies with EN55032 Class B		
		Dielectric Withstand (Hi-pot) Test 1500V AC for 1 minute, 10mA		
Insulation Resistance	Primary to secondary: >10M Ohm 500V DC			
Features	Short Circuit Protection	Output can be shorted permanently without damage		
	Over Voltage Protection	By Zener clamping		
	Indicators	Green LED – Output Good		
	Input and Output Data Connector	RJ45		
	Output Connector	Center Positive Barrel 9mm x 2.5mm x 5.5mm. Tip is user changeable for other sizes. Note: The + molded on replaceable tip must line up with the word “tip” on DC cord to ensure that the center pin DC jack is +.		
Mechanical	Dimensions (L x W x H)	100mm (3.94in) x 56mm (2.2in) x 28mm (1.1in)		
	Weight	0.2Kg (7.05oz)		
Note	1. The characteristics defined are at ambient temperature of 25°C unless otherwise specified 2. Efficiency is measured after 30 minutes burn-in			

# Dimension Diagram Unit: mm



## Phihong Locations



**Headquarters Phihong Technology Co., Ltd**  
No. 568, Fuxing 3rd Rd., Gueishan Dist., Taoyuan City (33383), Taiwan  
Tel : +886-3-3277288  
Fax : +886-3-3277622  
phsales@phihong.com.tw  
www.phihong.com.tw



**Phihong Technology Co. Ltd. (Tainan R&D Center)**  
No. 99, Zhengnan 1st. Street, Yongkang Dist., Tainan City 71046, Taiwan  
Tel : +886-6-254-7588  
Fax : +886-6-254-7288  
phsales@phihong.com.tw  
www.phihong.com.tw



**Phihong China**  
Room 101, Building 5, 133-1 Tiesong Road, Qingxi Town, Dong Guan City, Guangdong (523642), China  
Tel : +86-769-87736405  
phsales@phihong.com.tw



**Phihong USA**  
47800 Fremont Blvd., Fremont, CA 94538, U.S.A.  
Tel : +1-510-445-0100  
Fax : +1-510-445-1678  
usasales@phihongusa.com  
www.phihong.com



**Phihong Japan**  
PMOEX Nihonbashi Kayabacho 10F, 2-12-10  
Nihonbashi Kayabacho, Chuo City, Tokyo 103-0025 Japan  
Tel : +81-3-6626-5513  
Fax : +81-3-6629-0241  
phsales@phihong.com.tw  
www.phihong.co.jp



**Phihong Vietnam**  
Lot CN5 An Duong Industrial Zone, Hong Phong Commune, An Duong County, Hai Phong City, Vietnam  
Tel : +84-22588-31557