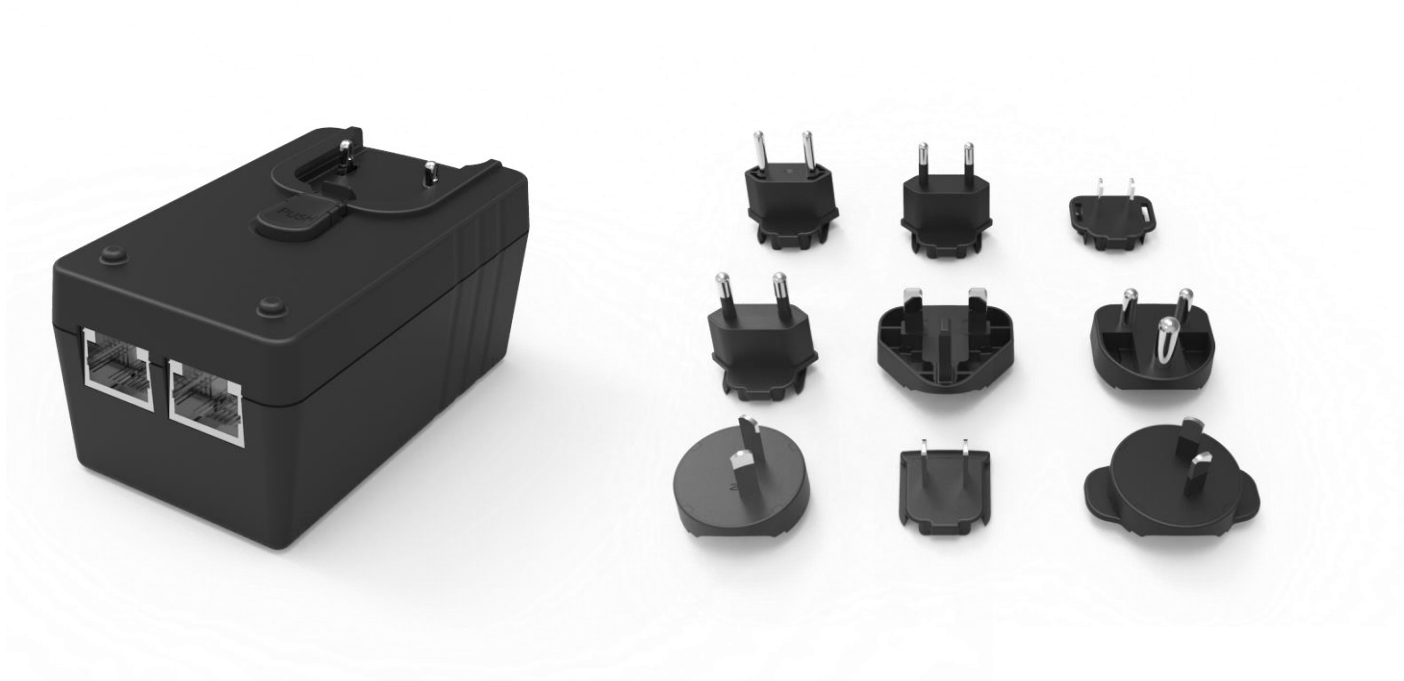


TECHNICAL DATASHEET

Single Port 15.4W Interchangeable Wall Plug Passive Power Injector



Applications

- IP Telephones
- Security Cameras
- Wireless Network Access Points
- IP Print Servers

Features

- No Detection – passive injector
- Non-Vented Case
- Gigabit Data Rates
- DoE Level VI Compliant
- ErP/Ecodesign Directive 2009/125/EC – Regulation EU 2019/1782 Compliant
- Field Interchangeable AC Clips – sold separately
- Full Protection OCP, OVP
- Fully Compliant to Isolation Requirements IEEE802.3
- 1 Year Warranty

Safety Standards



Dimension

86 x 50.2 x 33.2 mm
(3.39 x 1.98 x 1.31 inch)

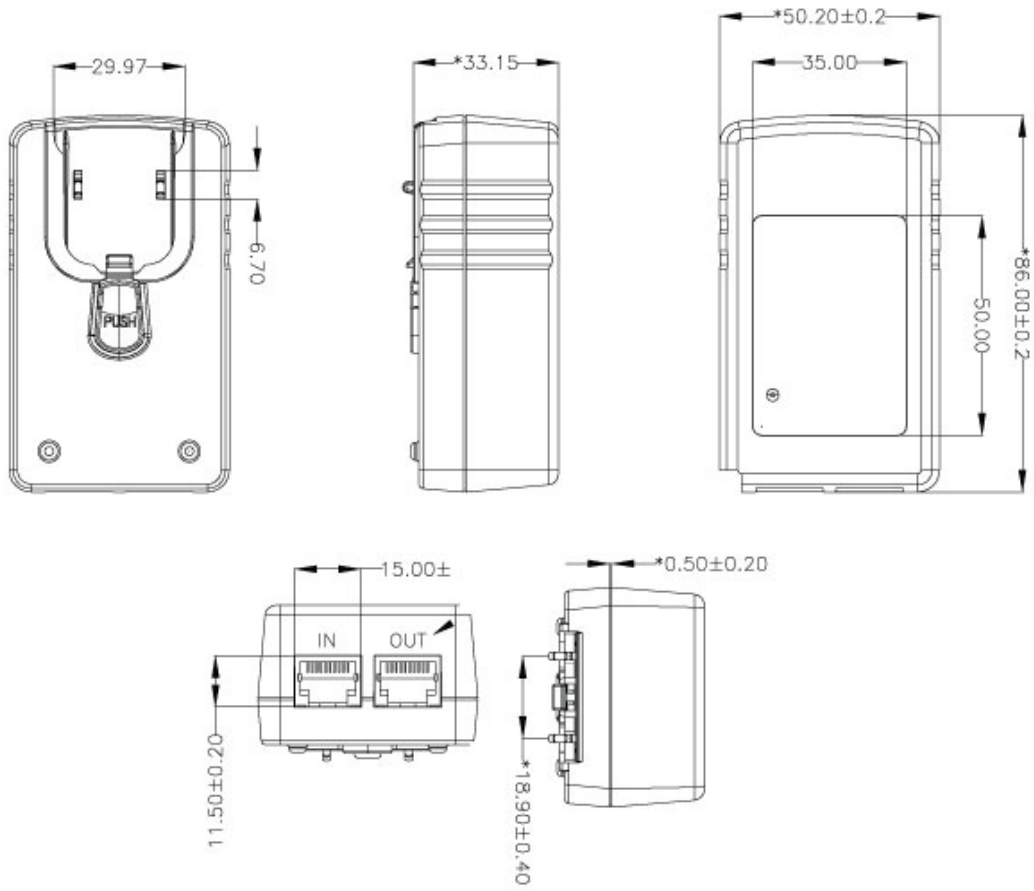
Specifications

POE16R-560L6-R Specifications¹

Model		POE16R-560L6-R
Output	DC Output Voltage	56.0V
	Max Current	0.275A
	Output Power	15.4W
	Data Speed	1G
	Regulation ²	+1V/-2V
	Ripple & Noise P-P(max) ³	600mV
Input	AC Input Voltage Range	90 to 264VAC
	AC Input Frequency	47-63Hz
	Input Current	0.5A (RMS) max for 90VAC, 0.35A (RMS) max for 240VAC
	No Load Power Consumption at 115VAC Input	0.039W
	No Load Power Consumption at 230VAC Input	0.060W
	115VAC Average Efficiency ⁴	86.86%
	230VAC Average Efficiency ⁴	86.67%
	230VAC 10% Load Efficiency ⁴	72.26%
	Leakage Current	0.25mA max for 254VAC/50Hz
Protections	Over-Voltage	≤120V, Latching
	Over-Current	<600mA, Auto restart
	Short Circuit	The output can be shorted permanently without damage
Environmental	Operating Temperature	-20°C to +50°C
	Non-Operating Temperature	-20° to +70°C
	Operating Humidity	5 to 90% RH max
Safety Approvals and EMC	Dielectric Withstand (HI-POT)	Primary to Secondary: 4242VDC for 1 sec, 10mA
	Insulation Resistance	Primary to Secondary: >10M ohm for 500VDC
	Standards	cULus 60950-1, cULus 62368-1, IEC 60950-1, IEC 62368-1
	EMI Emissions	FCC Part 15 Class B, CAN ICES-003(B)/NMB-003(B), EN 55032/CISPR 32 Class B Conducted and Radiated
	Harmonic Current Emissions	IEC 61000-3-2
	Voltage Fluctuations & Flicker	IEC 61000-3-3
	Immunity	EN 55035/CISPR 35: IEC 61000-4-2 (Contact: ±4KV, Air: ±8KV), IEC 61000-4-3, IEC 61000-4-4, IEC 61000-4-5 (±2kV), IEC 61000-4-6, IEC 61000-4-8, IEC 61000-4-11
Mechanical	Dimensions (L x W x H)	86mm (3.39in) x 50.2mm (1.98in) x 33.2mm (1.31in)
	Weight	114Kg
	Output Connection	+pins 3,6/ -pins 1,2
	Data In/Output Connector	Unshielded RJ45
	LED Indicators	Solid Blue: Power "ON"
Note	1. The specifications defined are at ambient temperature of 25°C, unless otherwise specified. 2. Measured within 2" of the output RJ45 connector. 3. 20MHz bandwidth frequency oscilloscope, add a 0.1µF multilayer Cap. and Low ESR Electrolytic Cap.	

	(10 μ F) at output connector terminals (nominal line voltage, full load). 4. Efficiency is measured after 30 minutes burn-in.
--	--

POE16R-560L6 Outline Drawing



AC Input Clips - Sold Separately

Model	Photo	Description	Outline Drawing - mm
RPA-AB01B-H		US Clip	
RPB-AB01B-H		Brazil Clip	
RPC-AB01B-H		China Clip	
RPH-AB01B-H		Europe Clip	
RPH-AB01B-H		Korea Clip	
RPI-AB01B-H		India Clip	

<p>RPK-AB01B-H</p>		<p>UK Clip</p>	
<p>RPN-AB01B-H</p>		<p>Argentina Clip</p>	
<p>RPX-03-R</p>		<p>C8 Clip</p>	
<p>RPBAG-AB01B-H</p>	 <p>RPA-AB01B-H, RPE-AB01B-H, RPK-AB01B-H and RPS-AB01B-H interchangeable clips in a plastic bag.</p>		

Phihong Locations



Headquarters Phihong Technology Co., Ltd
No. 568, Fuxing 3rd Rd., Gueishan Dist., Taoyuan City (33383), Taiwan
Tel : +886-3-3277288
Fax : +886-3-3277622
phsales@phihong.com.tw
www.phihong.com.tw



Phihong Technology Co. Ltd. (Tainan R&D Center)
No. 99, Zhengnan 1st. Street, Yongkang Dist., Tainan City 71046, Taiwan
Tel : +886-6-254-7588
Fax : +886-6-254-7288
phsales@phihong.com.tw
www.phihong.com.tw



Phihong China
Room 101, Building 5, 133-1 Tiesong Road, Qingxi Town, Dong Guan City, Guangdong (523642), China
Tel : +86-769-87736405
phsales@phihong.com.tw



Phihong USA
47800 Fremont Blvd., Fremont, CA 94538, U.S.A.
Tel : +1-510-445-0100
Fax : +1-510-445-1678
usasales@phihongusa.com
www.phihong.com



Phihong Japan
PMOEX Nihonbashi Kayabacho 10F, 2-12-10
Nihonbashi Kayabacho, Chuo City, Tokyo 103-0025 Japan
Tel : +81-3-6626-5513
Fax : +81-3-6629-0241
phsales@phihong.com.tw
www.phihong.co.jp



Phihong Vietnam
Lot CN5 An Duong Industrial Zone, Hong Phong Commune, An Duong County, Hai Phong City, Vietnam
Tel : +84-22588-31557