

TECHNICAL DATASHEET

21W DC-DC Power over Ethernet Splitter

POE21 Gigabit IEEE802.3at Compliant Splitter

**Applications**

- IP Telephones
- Security Cameras
- Wireless Network Access Points
- IP Print Servers

Features

- Compliant with the IEEE802.3at Standard
- Works with any layer 1 IEEE802.3at Power Sourcing Equipment
- DC Good LED
- User Changeable Tips
- Gigabit Compatible
- Non-Vented Case
- Full Protection OTP, OCP, OVP
- 1 Year Warranty

Safety Standards**Dimension**

100 x 56 x 27.9 mm
(3.97 x 2.2 x 1.1 inch)

Safety Approvals

CE

Output Specifications

Model	DC Output Voltage	Output Current
POE21-120-R ¹	12V	1.75A
POE21-240-R ¹	24V	0.875A
Note	1. Can only be used with unshielded cables	

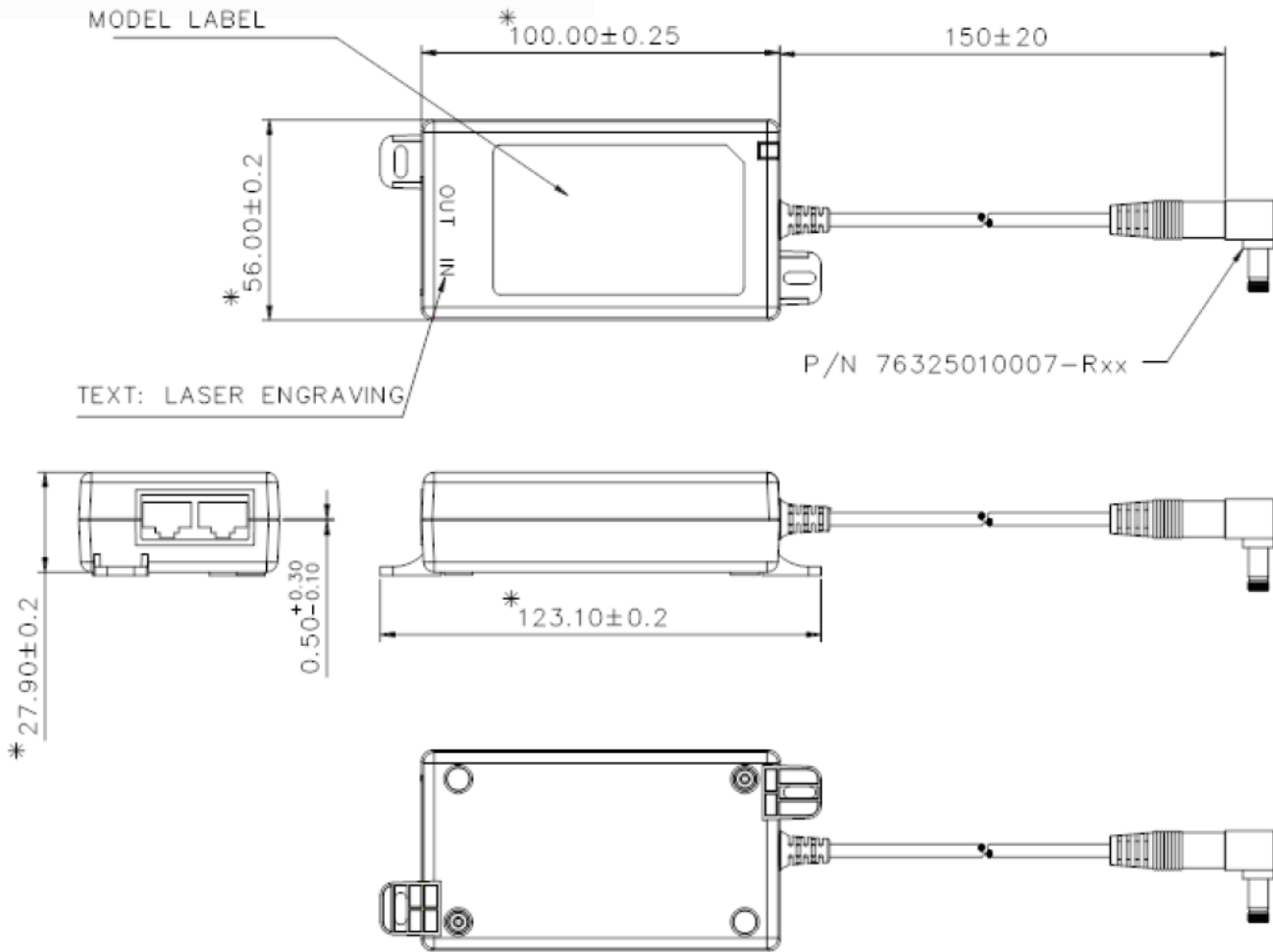
Specifications

POE21 Characteristics

Model		POE21-120-R ¹ POE21-240-R ¹
Output	Regulation	Line and Load $\pm 4\%$
	Ripple	12V 120mVp-p 24V 240mVp-p
	Efficiency	80% (typical) at maximum load 48V DC
	O/P Voltage Protection	In case of output voltage overload, crowbar will short
Input	Input Voltage Range	Receives power from either data or spare pairs 45-57V DC
	Input Current	0.6A (RMS) maximum
Environmental	Temperature	Operating 0°C to +40°C
		Non-Operating -20° to +65°C
	Immunity	Humidity 5 to 90% RH max
		ESD: EN61000-4-2 Level 3 RS: EN61000-4-3 Level 2
	EMC	Complies with FCC Class B Complies with EN55032 Class B
	Dielectric withstand (HI-POT) Test	Primary to secondary: 2121VDC for 1 minute 10mA
	Insulation Resistance	Primary to secondary: >10M Ohm 500VDC
Features	Indicators	GREEN LED – Output Good
	Short Circuit Protection	Output can be shorted permanently without damage
	Input and Output Data Connector	RJ45
	Output Connector	Center Positive Barrel 12mm x 2.1mm x 5.5mm. Tip is user changeable for other sizes
Mechanical	Dimensions (L x W x H)	100mm (3.37in) x 56mm (2.2in) x 27.9mm (1.1in)
	Weight	0.142Kg(0.31lb)



Dimension Diagram Unit: mm



Phihong Locations



Headquarters Phihong Technology Co., Ltd
 No. 568, Fuxing 3rd Rd., Gueishan Dist., Taoyuan City (33383), Taiwan
 Tel : +886-3-3277288
 Fax : +886-3-3277622
 phsales@phihong.com.tw
 www.phihong.com.tw



Phihong Technology Co. Ltd. (Tainan R&D Center)
 No. 99, Zhengnan 1st. Street, Yongkang Dist., Tainan City 71046, Taiwan
 Tel : +886-6-254-7588
 Fax : +886-6-254-7288
 phsales@phihong.com.tw
 www.phihong.com.tw



Phihong China
 Room 101, Building 5, 133-1 Tiesong Road, Qingxi Town, Dong Guan City, GuangDong (523642), China
 Tel : +86-769-87736405
 phsales@phihong.com.tw



Phihong USA
 47800 Fremont Blvd., Fremont, CA 94538, U.S.A.
 Tel : +1-510-445-0100
 Fax : +1-510-445-1678
 usasales@phihongusa.com
 www.phihong.com



Phihong Japan
 PMOEX Nihonbashi Kayabacho 10F, 2-12-10 Nihonbashi Kayabacho, Chuo City, Tokyo 103-0025 Japan
 Tel : +81-3-6626-5513
 Fax : +81-3-6629-0241
 phsales@phihong.com.tw
 www.phihong.co.jp



Phihong Vietnam
 Lot CN5 An Duong Industrial Zone, Hong Phong Commune, An Duong County, Hai Phong City, Vietnam
 Tel : +84-22588-31557