

TECHNICAL DATASHEET

30W Single Port Power over Ethernet Midspan IEEE802.3at Compliant Power Injector



Applications

- IP Telephones
- Security Cameras
- Wireless Access Points
- IP Print Servers
- Bluetooth® Access Points
- WiMAX® Access Points

Features

- Compliant with IEEE802.3at Standard
- Limited Power Source
- Non-vented Case
- Gigabit Compatible
- Full Protection OVP, OCP
- 1 year warranty
- Shielded RJ45

Safety Standards



- cUL/UL(60950)/(62368-1)
- CB
- CCC
- BSMI
- EAC
- IRAM(TUV-s)
- CE(IEC60950-1)/(IEC62368-1)
- RCM
- NOM/NYCE
- PSB
- KC+

Dimensions

140 x 65 x 36 mm
(5.5 x 2.55 x 1.42 inch)

Weight

0.22kg
(7.76oz)

Output Specifications

| Model | AC Input | DC Output Voltage | Load | | Regulation | |
|-------------------|------------|-------------------|------|-------|------------|------|
| | | | Min. | Max. | Line | Load |
| POE29U-1AT(PL)D-R | Three Wire | 56V | 10mA | 536mA | 54-57V | |

Characteristics

POE29U-1AT(PL)D-R

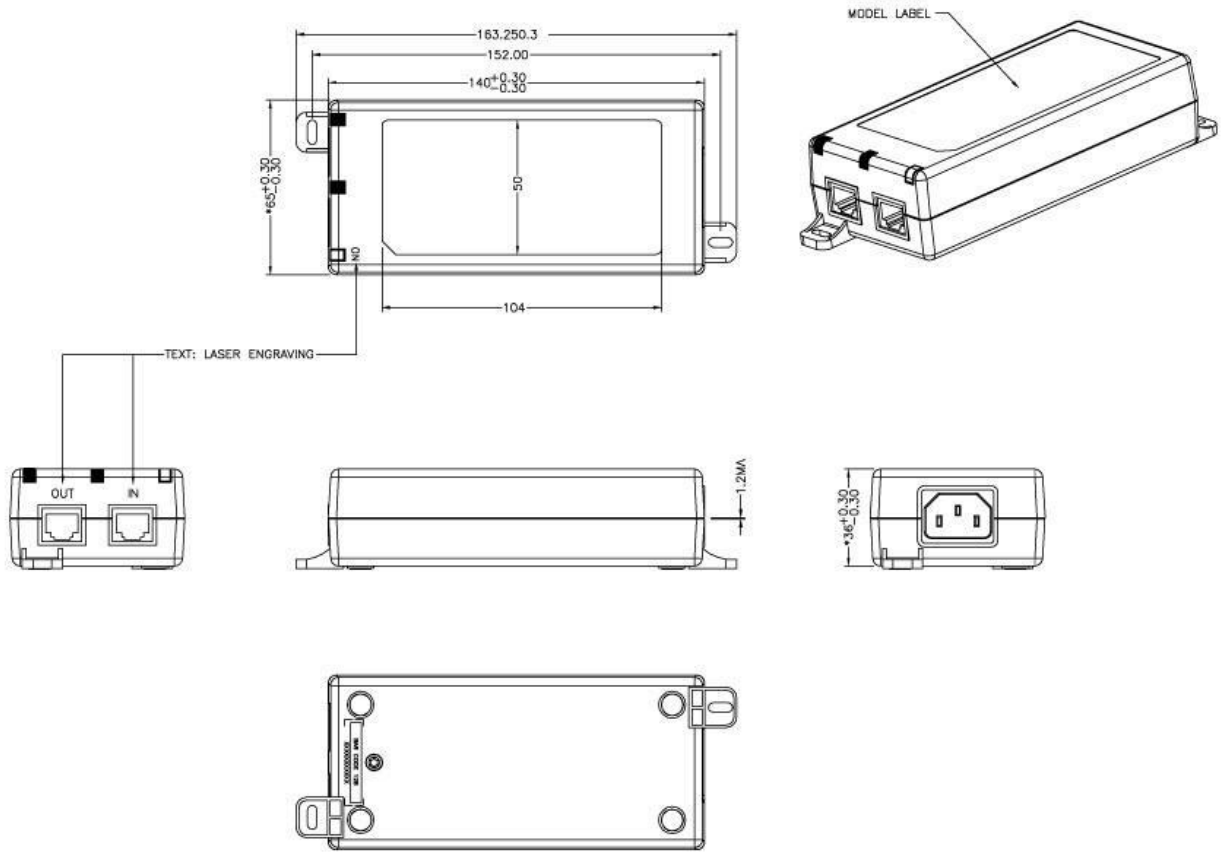
| INPUT | |
|----------------------------------|--|
| AC Input Voltage Rating | 100-240VAC |
| AC Input Voltage Range | 90 to 264VAC |
| AC Input Current | 0.8A (RMS) maximum at 120VAC 0.55A (RMS) maximum at 240VAC |
| AC Input Frequency | 47 to 63Hz |
| Leakage Current | 3.5mA max |
| Max In-rush Current | 60A max at 240VAC and max load (Cold Start at ambient 25°C) |
| OUTPUT | |
| Output Power | 30W |
| Hold up Time | 10mSec min at max load at 120VAC, 60Hz |
| Efficiency ² | 80% Typical at max load at 120VAC, 60Hz |
| ENVIRONMENTAL | |
| Temperature | Operating -20°C to +50°C Non-operating -20°C to +70°C Relative Humidity 5 to 90% |
| EMI | Complies with EN55032 Class B Complies with FCC part 15 Class B |
| EMC | ESD: IEC61000-4-2 , Level 3 RS: IEC61000-4-3, Level 3 EFT/Burst: IEC61000-4-4, Level 2 Surge: IEC61000-4-5, Level 3 CS: IEC61000-4-6 , Level 3 Voltage Dips: IEC61000-4-11 Harmonic: IEC61000-3-2, Class A |
| Isolation (HI-POT) | Primary to secondary: 1500VAC for 1 minute, 10mA |
| Insulation Resistance | Primary to secondary: 10M Ohm 500VDC |
| FEATURES: | |
| OCP/OVP/Short Circuit Protection | OCP: ≤750mA Max OVP: Latching Short Circuit: The output can be shorted permanently without damage. Non-latching auto recovery. |
| Indicator | Solid Green: unit has detected a IEEE802.3at or af load/PD Blinking Green: Power “ON” ready for connection Fast Blinking Amber/Green: Invalid load connected Slow Blinking Amber/Green: fault |

| | |
|---------------------------|-------------------------|
| AC Input Connector | IEC320 C14 - three wire |
| Output Connection | +pins 3,6 / -pins 1,2 |
| Data IN/POE OUT Connector | Shielded RJ45 |

Notes

1. The characteristics defined are at ambient temperature of 25°C unless otherwise specified
2. Efficiency is measured after 30minutes burn-in

Dimensional Diagram Unit: mm



Phihong Locations



Headquarters Phihong Technology Co., Ltd
No. 568, Fuxing 3rd Rd., Gueishan Dist., Taoyuan City (33383), Taiwan
Tel : +886-3-3277288
Fax : +886-3-3277622
phsales@phihong.com.tw
www.phihong.com.tw



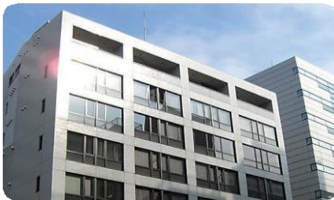
Phihong Technology Co. Ltd. (Tainan R&D Center)
No. 99, Zhengnan 1st. Street, Yongkang Dist., Tainan City 71046, Taiwan
Tel : +886-6-254-7588
Fax : +886-6-254-7288
phsales@phihong.com.tw
www.phihong.com.tw



Phihong China
Room 101, Building 5, 133-1 Tiesong Road, Qingxi Town, Dong Guan City, Guangdong (523642), China
Tel : +86-769-87736405
phsales@phihong.com.tw



Phihong USA
47800 Fremont Blvd., Fremont, CA 94538, U.S.A.
Tel : +1-510-445-0100
Fax : +1-510-445-1678
usasales@phihongusa.com
www.phihong.com



Phihong Japan
PMOEX Nihonbashi Kayabacho 10F, 2-12-10
Nihonbashi Kayabacho, Chuo City, Tokyo 103-0025 Japan
Tel : +81-3-6626-5513
Fax : +81-3-6629-0241
phsales@phihong.com.tw
www.phihong.co.jp



Phihong Vietnam
Lot CN5 An Duong Industrial Zone, Hong Phong Commune, An Duong County, Hai Phong City, Vietnam
Tel : +84-22588-31557