

TECHNICAL DATASHEET

Single Port 30W Power-over-Ethernet Interchangeable* Wall Plug Adapter



Applications

- IP Telephones
- Security Cameras
- Wireless Network Access Points
- IP Print Servers
- Blue Tooth Access Points

Features

- DOE Level VI Compliant
- Fully Compliant with IEEE802.3at
- Non-Vented Case
- Field Interchangeable AC Clips*
- 2.5G Data Speed
- Low Cost
- Full Protection OCP, OVP
- Diagnostic LEDs
- 1 Year Warranty

Safety Standards



- cUL/UL 62368-1
- IEC 62368-1

Dimensions

91 x 60.2 x 35 mm
(3.58 x 2.37 x 1.38 inch)

Weight

0.3kg
(0.66lbs)

Output Specifications

Model	DC Output Voltage	Output Power	Data Speed	Load		Regulation	
				Min.	Max.	Line	Load
POE30R-1ATP-R	56V	30W	2.5G	10mA	536mA	+1V/-2V	

Notes

1. Voltage measured within 5cm of output connector.

Characteristics

POE30D-1ATP-R

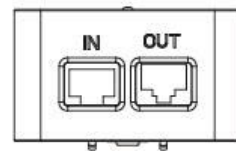
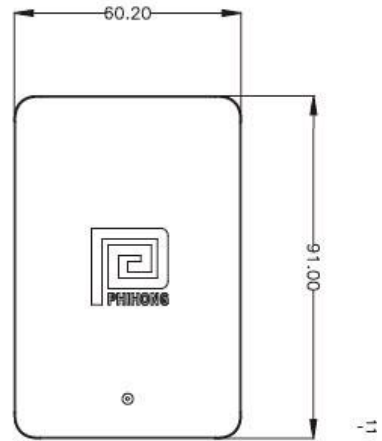
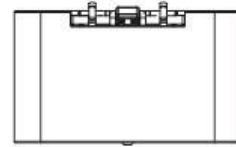
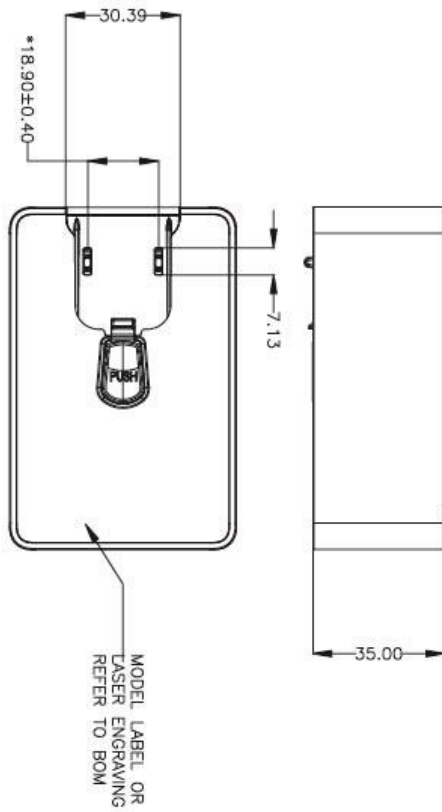
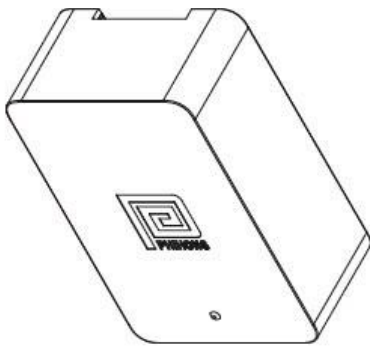
INPUT	
AC Input Voltage Rating	90 to 264VAC
AC Input Voltage Range	100 to 240VAC
AC Input Current	0.8A (RMS) max
Leakage Current	0.25mA max
AC Input Frequency	47-63Hz
AC Inrush Current	70A max for 240VAC Using Chroma 61504 AC Source (Cold Start @ 25°C), (CPK > 1.5 at PP)
OUTPUT	
Output Power	30W @40°C 15W @50°C
Ripple ³	200mV max @25°C
Efficiency	DOE Level VI
Transient O/P Voltage Protection	60V max at switch on/off, any AC line phase
ENVIRONMENTAL	
Temperature	Operation -10 to +50°C Non-operation -20 to +70°C Operating Humidity 5% to 90% RH
EMC	Complies with FCC Part 15 Class B Complies with EN55032 Class B
Immunity	Harmonic: EN61000-3-2 Class A ESD: EN61000-4-2 Contact 8KV Air 15KV. Criteria A RS: EN61000-4-3 3V/M EFT: EN61000-4-4 1KV, Criteria A Surge: EN61000-4-5 L-L 2KV, Criteria A CS: EN61000-4-6 3V Voltage Dips EN61000-4-11 Class 3
Dielectric withstand (HI-POT)	4242VDC for 1 min., 10mA
Insulation Resistance	Primary to Secondary: >10M OHM 500VDC
FEATURES:	
Over Current Protection	≤750mA
Over Voltage Protection	<60VDC for <0.2 seconds. Non-latching

Short Circuit Protection	Non-latching. Auto-recovery.
Hold-up Time	10mS min. 120VAC/60Hz and max load
Output Connector	Unshielded RJ45
Output Connection	+pin 3,6 / -pins 1,2
Warranty	1 Year
LED Indicators	Green blinking 1 per 3 seconds – Power Good Green LED blinking 1 per 5 seconds – No connection Yellow LED blinking – No Load Green/Yellow fast blink – Fault Detected Yellow solid – Over/Short Current Detected
AC Input Clips (sold separately)	RPA– AB01B-H: US RPB–AB01B-H: Brazil RPC– AB01B-H: China RPE– AB01B-H: Europe RPH – AB01B-H: Korea RPI– AB01B-H: India RPK– AB01B-H: UK RPN – AB01B-H: Argentina RPS – AB01B-H: Australia RPX-03-R: C8 Inlet RPBAG – AB01B-H: RPA-AB01B-H, RPE-AB01B-H, RPK-AB01B-H and RPS-AB01B-H

Notes:

2. The characteristics defined are at ambient temperature of 25°C unless otherwise specified
3. Measured with by-pass capacitors 0.1uf/10uf at output connector terminal and oscilloscope set at 20Mhz (tested by oscilloscope). 20 minutes warm-up required when operating at negative temperature.
4. Efficiency is measured after 30 minutes burn-in

Dimensional Diagram Unit: mm



Phihong Locations



Headquarters Phihong Technology Co., Ltd
No. 568, Fuxing 3rd Rd., Gueishan Dist., Taoyuan City (33383), Taiwan
Tel : +886-3-3277288
Fax : +886-3-3277622
phsales@phihong.com.tw
www.phihong.com.tw



Phihong Technology Co. Ltd. (Tainan R&D Center)
No. 99, Zhengnan 1st. Street, Yongkang Dist., Tainan City 71046, Taiwan
Tel : +886-6-254-7588
Fax : +886-6-254-7288
phsales@phihong.com.tw
www.phihong.com.tw



Phihong China
Room 101, Building 5, 133-1 Tiesong Road, Qingxi Town, Dong Guan City, Guangdong (523642), China
Tel : +86-769-87736405
phsales@phihong.com.tw



Phihong USA
47800 Fremont Blvd., Fremont, CA 94538, U.S.A.
Tel : +1-510-445-0100
Fax : +1-510-445-1678
usasales@phihongusa.com
www.phihong.com



Phihong Japan
PMOEX Nihonbashi Kayabacho 10F, 2-12-10
Nihonbashi Kayabacho, Chuo City, Tokyo 103-0025 Japan
Tel : +81-3-6626-5513
Fax : +81-3-6629-0241
phsales@phihong.com.tw
www.phihong.co.jp



Phihong Vietnam
Lot CN5 An Duong Industrial Zone, Hong Phong Commune, An Duong County, Hai Phong City, Vietnam
Tel : +84-22588-31557