

## TECHNICAL DATASHEET

# 48W DC-DC Power-over-Ethernet Splitter

## POE48-120BT Gigabit IEEE802.3bt Compliant Splitter

**Applications**

- IP Cameras
- Information Kiosks
- Thin Clients
- Point of Sales

**Features**

- Compliant with the IEEE802.3bt Standard
- Works with any layer 1 IEEE802.3bt Power Sourcing Equipment
- Power On LED
- Non-Vented Case
- Gigabit Compatible
- 1 Year Warranty
- Full Protection (OTP, OCP, OVP)

**Safety Standards**

- CE
- UKCA

**Dimensions**

163.25 x 65 x 36 mm  
(6.43 x 2.56 x 1.42 inch)

**Weight**

0.2kg  
(0.44lbs)

## Output Specifications

Model	DC Output Voltage	Output Current
POE48-120BT-R	12V +/-0.4V	4.0A

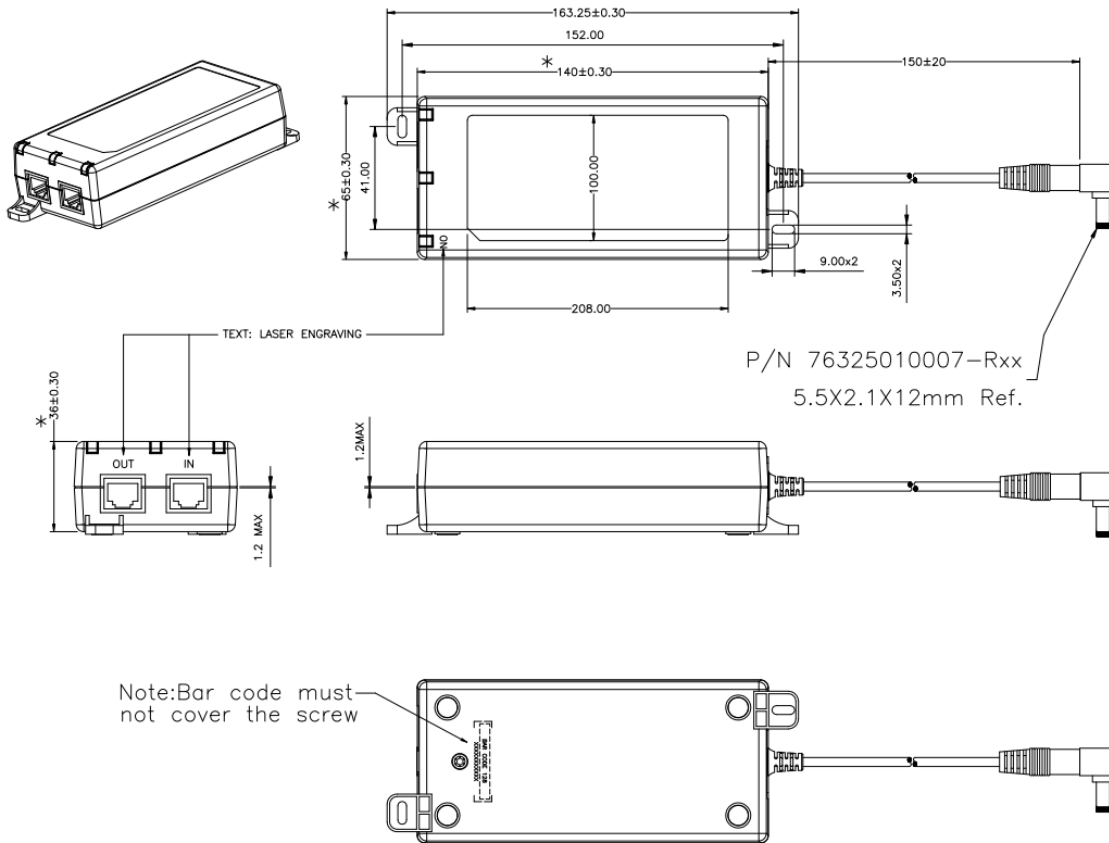
### Notes

1. Can only be used with unshielded cables

## Characteristics

<b>INPUT</b>	
AC Input Voltage Rating	44 – 57VDC Receives power from data and spare pairs
Input Current	1.6A maximum
<b>OUTPUT</b>	
Regulation	Line and Load $\pm 2\%$
Ripple	120mVp-p @ 25C
Efficiency	> 84%
Over Current Protection	> 8A (Hiccup Mode / Auto-Restart), > 6A if output voltage < 11.6V
Short Circuit Protection	Auto-Restart (Hiccup Mode)
Over Voltage Protection	16VDC
<b>ENVIRONMENTAL</b>	
Temperature	Operation -10 to +40°C Non-operation -20 to +65°C Humidity 5 to 90% RH
Operating Altitude	10,000 feet maximum
Immunity	ESD: EN61000-4-2 Level 3 (8kV Air, 6kV Contact) RS: EN61000-4-3 Level 2 (3V/m)
EMC	Complies with FCC Class B Complies with EN55032 Class B
Dielectric withstand (HI-POT)	Primary to secondary: 2121VDC for 1 second
Insulation Resistance	Primary to Secondary: >10M OHM 500VDC
<b>FEATURES:</b>	
Indicators	LED#1 Blue "POWER ON"
Input and Output Data Connector	RJ45
Output Connector	2.1mm x 5.5mm x 12mm barrel center positive

# Dimensional Diagram Unit: mm



## Phihong Locations



**Headquarters Phihong Technology Co., Ltd**  
No. 568, Fuxing 3rd Rd., Gueishan Dist., Taoyuan City (33383), Taiwan  
Tel : +886-3-3277288  
Fax : +886-3-3277622  
phsales@phihong.com.tw  
www.phihong.com.tw



**Phihong Technology Co. Ltd. (Tainan R&D Center)**  
No. 99, Zhengnan 1st. Street, Yongkang Dist., Tainan City 71046, Taiwan  
Tel : +886-6-254-7588  
Fax : +886-6-254-7288  
phsales@phihong.com.tw  
www.phihong.com.tw



**Phihong China**  
Room 101, Building 5, 133-1 Tiesong Road, Qingxi Town, Dong Guan City, GuangDong(523642), China  
Tel : +86-769-87736405  
phsales@phihong.com.tw



**Phihong USA**  
47800 Fremont Blvd., Fremont, CA 94538, U.S.A.  
Tel : +1-510-445-0100  
Fax : +1-510-445-1678  
usasales@phihongusa.com  
www.phihong.com



**Phihong Japan**  
PMOEX Nihonbashi Kayabacho 10F, 2-12-10  
Nihonbashi Kayabacho, Chuo City, Tokyo 103-0025 Japan  
Tel : +81-3-6626-5513  
Fax : +81-3-6629-  
0241phsales@phihong.com  
.twwww.phihong.co.jp



**Phihong Vietnam**  
Lot CN5 An Duong Industrial Zone, Hong Phong Commune, An Duong County, Hai Phong City, Vietnam  
Tel : +84-22588-31557