

## TECHNICAL DATASHEET

# 60W 3-in-1 Single Port Media Converter IEEE802.3bt Compliant Power Injector



### Applications

- IP Telephones • Security Cameras
- Wireless Access Points
- IP Print Servers
- Bluetooth® Access Points
- WiMAX® Access Points

### Features

- Compliant with IEEE802.3bt/at/af Standard
- 4 Pair Powering +3,6,4,5 / - 1,2,7,8
- Non-Vented Case
- 60W POE Power
- Extends Ethernet to 200 Meters with copper, (can be even more with Fiber)
- Standard SFP Module Input
- Converts SFP to POE (converts fiber to copper)
- Limited Power Source
- Full Protection OVP, OCP
- Single Source 4 Pair Power Current Sharing
- 1 Year Warranty
- Gigabit Compatible

### Safety Standards



- UL/cUL 60950-1
- UL/cUL 62368-1
- CE

### Dimensions

160 x 280 x 50 mm  
(6.3 x 7.09 x 1.97 inch)

### Weight

1.7kg  
(3.75lbs)

## Output Specifications

Model	AC Input	DC Output Voltage	Load		Regulation	
			Min.	Max.	Line	Load
POE60S-1BT-R	IEC320(C14)	56V	<20mA	1.07A	+56VDC +1V/-2V (54-57VDC)	

Notes:

1. Voltage measured within 2" of the output RJ45 connector on data pairs 3,6(+) and 1,2(-) at 25°C
2. Combined output on data pairs and spare pairs. Otherwise 535mA on data pairs 3,6(+) 1,

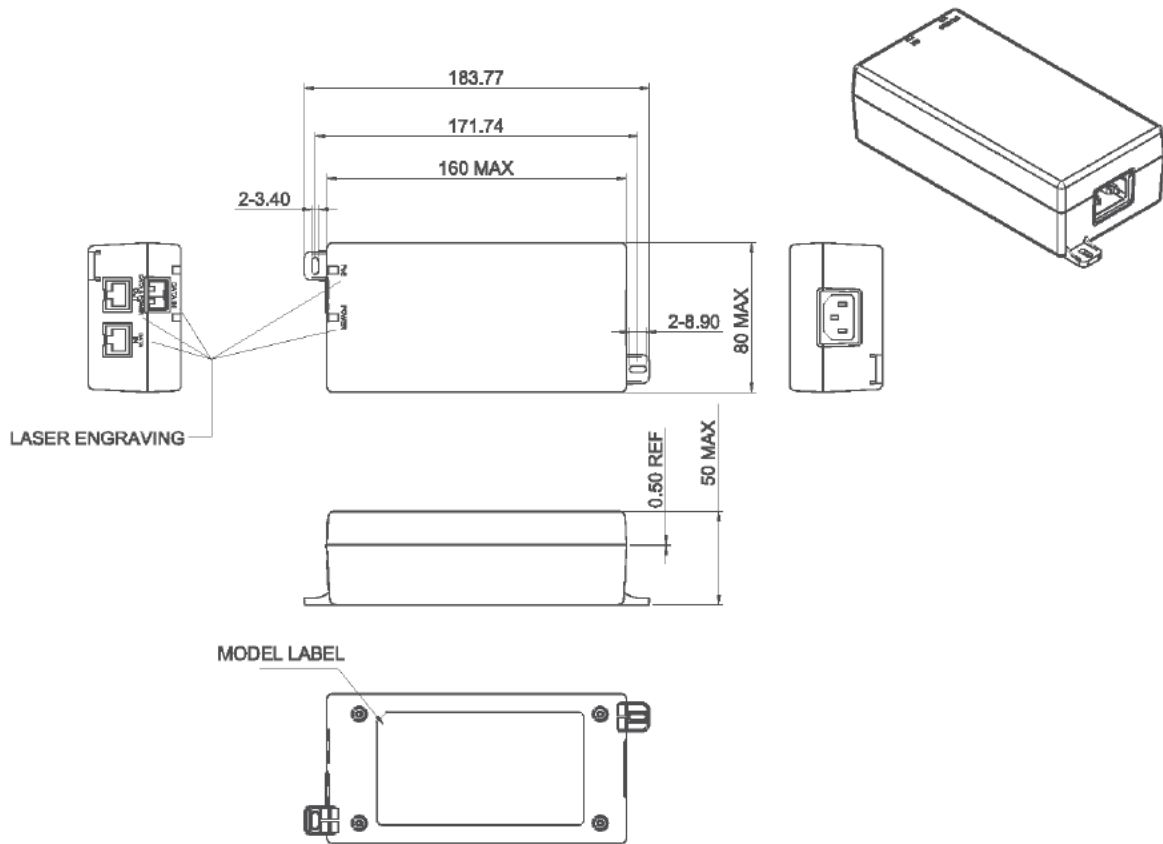
## Characteristics

### POE60S-1BT-R

INPUT	
AC Input Voltage Rating	90 to 264VAC
AC Input Voltage Rating	100 to 240VAC
AC Input Current	2.0A (RMS) max for 90VAC 1.0A (RMS) max for 240VAC
Leakage Current	3.5mA max @ 254VAC/50Hz
AC Inrush Current	40A (RMS) max for 115VAC 80A (RMS) max for 230VAC
OUTPUT	
Output Power	60W @40°C
Output Ripple	500mV max @25°C
Efficiency	75% (typical) at max load
Hold-up Time	16mS min. 120VAC/60Hz max load
ENVIRONMENTAL	
Temperature	Operation -10°C to +45°C @60W +45°C to +55°C @30W Humidity 5 to 90%
EMI	FCC Part 15 Class A EN55032/22 Class A EN50121-4 IEC 62236-4
Immunity	ESD: IEC61000-4-2. Level 3 RS: IEC61000-4-3. Level 3 EFT: IEC61000-4-4. Level 3 Surge: IEC61000-4-5. Level 3 CS: IEC61000-4-6. Level 3 PFMF: IEC61000-4-8 Level 5 Voltage Dips IEC61000-4-11 Harmonic: IEC61000-3-2 Class A
Insulation Resistance	Pri. to Sec.: >10M OHM 500VDC Pri. to F.G.: >10M OHM 500VDC
Dielectric withstand(HI-POT) test	Pri. to Sec.: 4242VDC for 1min 10mA

	Pri. to F.G.: 2121VDC for 1min, 10mA
<b>FEATURES:</b>	
Over Current Protection	1350mA max
Over Voltage Protection	120VDC max
LED Indicators	<p>Led #1</p> <p>Blinking GREEN – Unit is “ON” Active with No Load</p> <p>Solid GREEN – Unit has detected a Valid IEEE802.3at/IEEE802.3af Load/IEEE802.3bt</p> <p>Solid RED – Unit is in Over Load Condition or Unit has detected an Invalid Load</p> <p>Led #2</p> <p>Solid GREEN = AC Power Good</p>
Input Connector	IEC320 inlet 3 pin(C14)
Output Connection	+pins 3,6,4,5 / -pins 1,2,7,8

# Dimensional Diagram Unit: mm



## Phihong Locations



**Headquarters Phihong Technology Co., Ltd**  
No. 568, Fuxing 3rd Rd., Gueishan Dist., Taoyuan City (33383), Taiwan  
Tel : +886-3-3277288  
Fax : +886-3-3277622  
phsales@phihong.com.tw  
www.phihong.com.tw



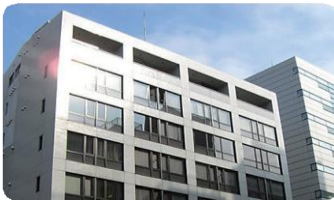
**Phihong Technology Co. Ltd. (Tainan R&D Center)**  
No. 99, Zhengnan 1st. Street, Yongkang Dist., Tainan City 71046, Taiwan  
Tel : +886-6-254-7588  
Fax : +886-6-254-7288  
phsales@phihong.com.tw  
www.phihong.com.tw



**Phihong China**  
Room 101, Building 5, 133-1 Tiesong Road, Qingxi Town, Dong Guan City, Guangdong (523642), China  
Tel : +86-769-87736405  
phsales@phihong.com.tw



**Phihong USA**  
47800 Fremont Blvd., Fremont, CA 94538, U.S.A.  
Tel : +1-510-445-0100  
Fax : +1-510-445-1678  
usasales@phihongusa.com  
www.phihong.com



**Phihong Japan**  
PMOEX Nihonbashi Kayabacho 10F, 2-12-10  
Nihonbashi Kayabacho, Chuo City, Tokyo 103-0025 Japan  
Tel : +81-3-6626-5513  
Fax : +81-3-6629-0241  
phsales@phihong.com.tw  
www.phihong.co.jp



**Phihong Vietnam**  
Lot CN5 An Duong Industrial Zone, Hong Phong Commune,  
An Duong County, Hai Phong City, Vietnam  
Tel : +84-22588-31557