

TECHNICAL DATASHEET

60W Single Port Multi-Gig PoE IEEE802.3bt Power Injector



Applications

- IP telephones
- Wireless Network Access Points
- Security Cameras
- Bluetooth® Access Points
- WiMAX® Access Points

Features

- Compliant with IEEE802.3bt Standard
- Compliant with Pihong Proprietary 12/5K Detection
- 4 Pair Powering +3, 4, 5, 6/ -1, 2, 7, 8
- Non-Vented Case
- Multi-Gigabit Data Rates (1G, 2.5G, 5G, 10G) models available
- DoE Level VI Compliant
- ErP/Ecodesign Directive 2009/125/EC – Regulation EU 2019/1782 Compliant
- Full Protection OCP, OVP
- Limited Power Source (LPS)
- 1-year Warranty

Safety Standards



Dimensions

163.25 x 65 x 36 mm
(6.43 x 2.56 x 1.42 in)

Weight

500 g

Specifications¹

Model	POE60U-1BTE-R	POE60U-1BT-2-R	POE60U-1BT-5-R	POE60U-1BT-X-R
Output				
DC Output Voltage	56.0V			
Max Current	1.07A			
Output Power	60W @40°C; 30W @50°C			
Data Speed	1G	2.5G	5G	10G
Regulation	53-57VDC			
Ripple & Noise P-P(max) ⁶	200mV			
Input				
AC Input Voltage Range	90 to 264VAC			
AC Input Frequency	47 to 63Hz			
Input Current	0.2A (RMS) max for 90VAC, 1.2A (RMS) max for 240VAC			
In-rush Current	40A for 115VAC, max load; 80A for 230VAC, max load			
No Load Power Consumption at 115VAC Input	≤ 0.21W			
No Load Power Consumption at 230VAC Input	≤ 0.21W			
115VAC Average Efficiency ⁷	≥ 88%			
230VAC Average Efficiency ⁷	≥ 88%			
230VAC 10% Load Efficiency ⁷	≥ 79%			
Leakage Current	3.5mA max at 264VAC/50Hz			
Protection				
Over-Voltage	<120V			
Short Circuit	The output can be shorted permanently			
Over-Current	Output #1 <650mA; Output #2 <650mA; Output #1 and #2 <1500mA			
Environmental				
Operating Temperature	0°C to +60°C			
Non-Operating Temperature	-20° to +65°C			
Operating Humidity	5% to 90% RH max			
Safety Approvals and EMC				
Dielectric Withstand (HI-POT)	Primary to Secondary: 4242VDC for 1 min, 10mA Primary to Earth Ground: 2121VDC for 1 min, 10mA			
Insulation Resistance	Primary to Secondary: >10M ohm for 500VDC Primary to Earth Ground: >10M OHM 500VDC			
Standards	cULus 60950-1, cULus 62368-1, IEC 60950-1, IEC 62368-1			
EMI Emissions	FCC Part 15 Class B, CAN ICES-003(B)/NMB-003(B), EN 55032/CISPR 32 Class B Conducted and Radiated			
Harmonic Current Emissions	IEC 61000-3-2			
Voltage Fluctuations & Flicker	IEC 61000-3-3			
Immunity	EN 55035/CISPR 35: IEC 61000-4-2 (Contact: ±6KV, Air: ±8KV), IEC 61000-4-3, IEC 61000-4-4, IEC 61000-4-5 (± 2kV), IEC 61000-4-6, IEC 61000-4-8, IEC 61000-4-11			
Mechanical				
Input Connector	IEC320 C14			

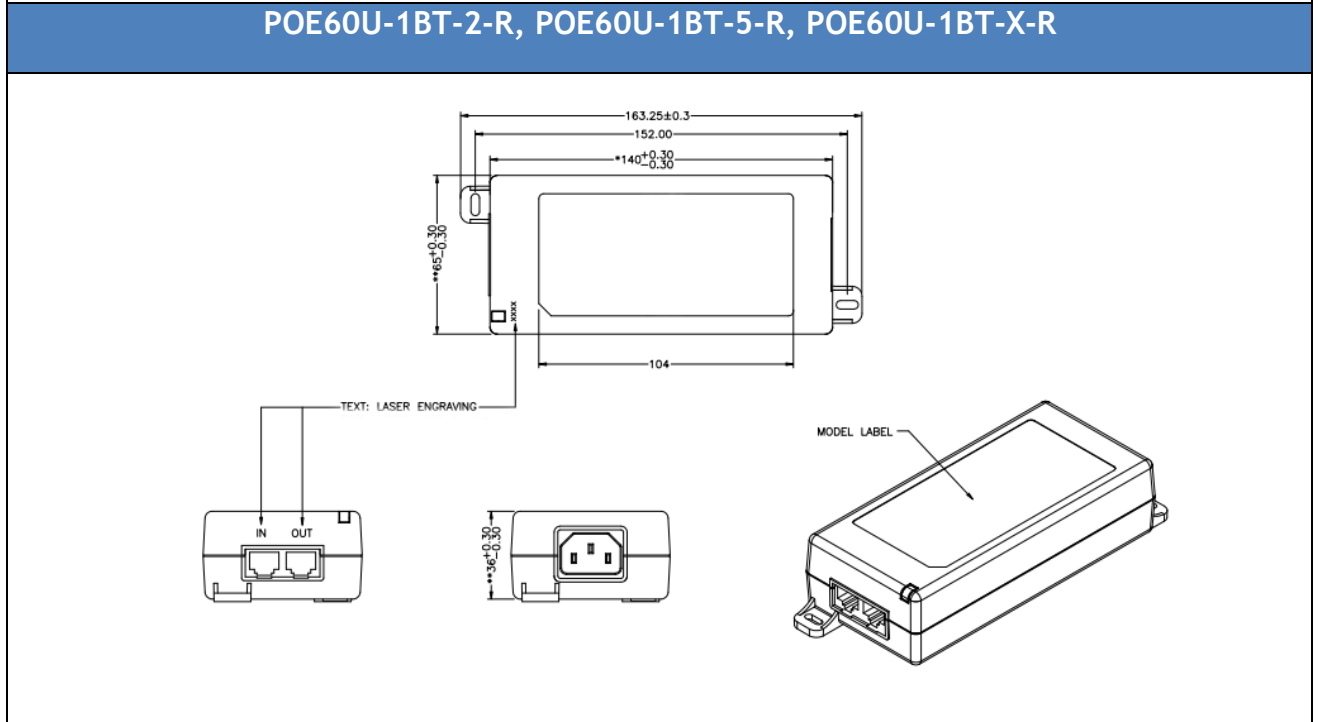
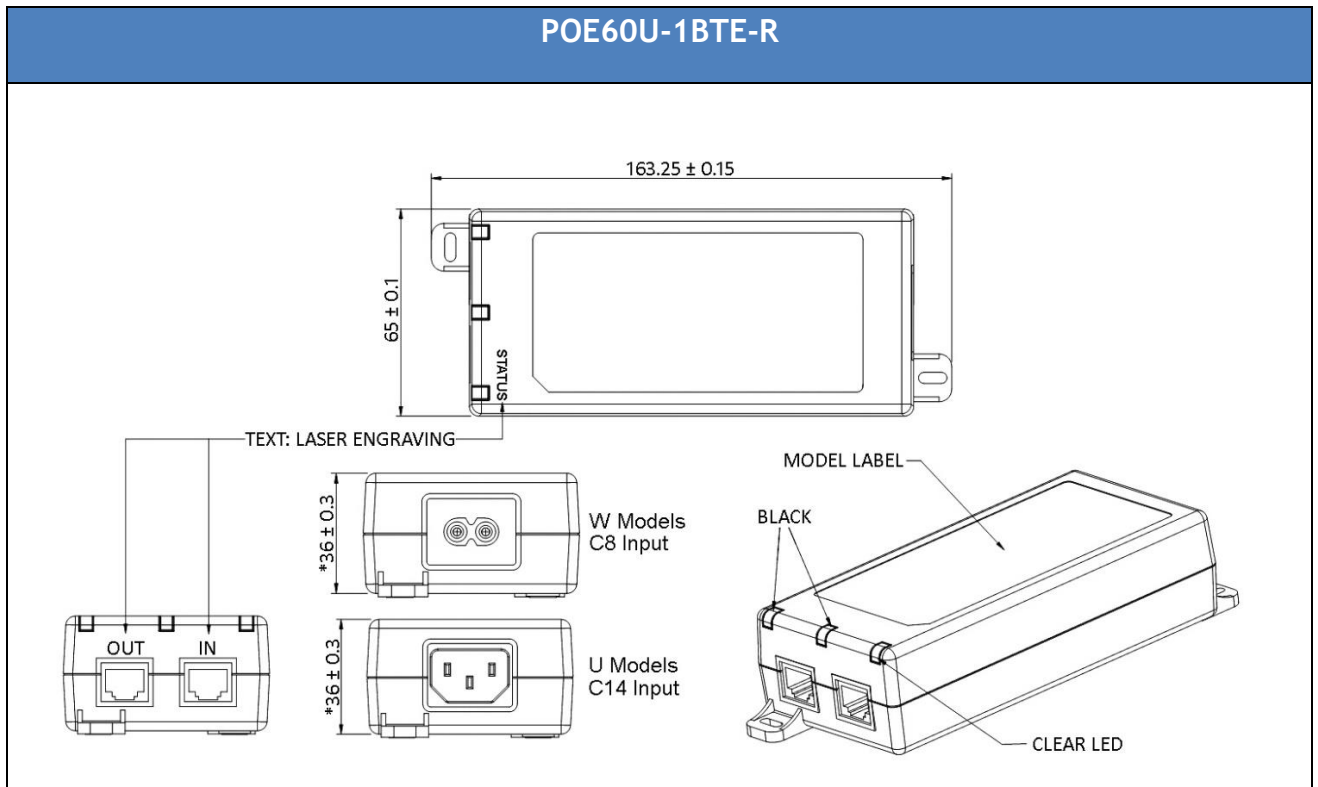
Output Connection	+pins 3,4,5,6/ -pins 1,2,7,8
Data In/Output Connector	Shielded RJ45
LED Indicators	<p>Solid Green – Power good and output “ON”</p> <p>Blink Amber (short, slow) – Waiting for Valid Connection/Detection</p> <p>4.5.3 Blink Amber (long, fast) – Fault Condition (Over Current or Shorted)</p> <p>4.5.4 Blink Amber & Green – Detection is Invalid</p>

Notes

1. The specifications defined are at ambient temperature of 25°C, unless otherwise specified.
2. 20MHz bandwidth frequency oscilloscope, add a 0.1µF multilayer Cap. and Low ESR Electrolytic Cap. (10µF) at output connector terminals (nominal line voltage, full load).
3. Efficiency is measured after 30 minutes burn-in.

Phihong is not responsible for any error and reserves the right to make changes without notice. Please visit our website at www.phihong.com for the most up-to-date specifications and contact information.

Dimensional Diagram Unit: mm

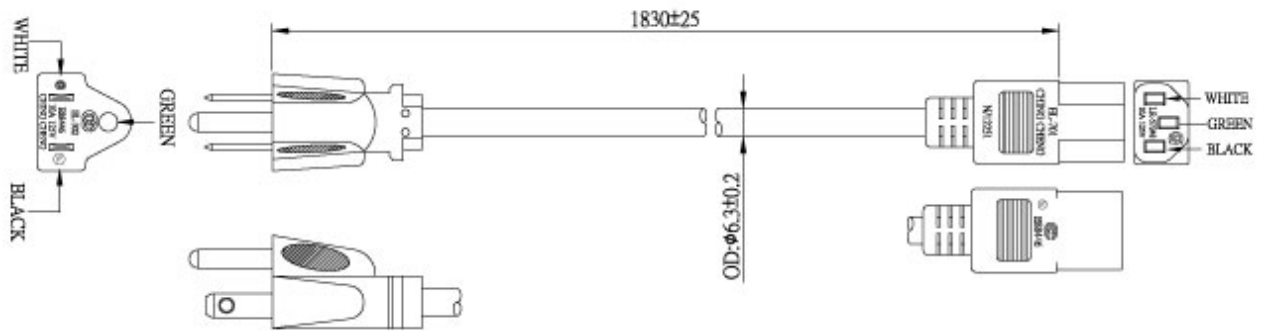


C14 Line Cords - Sold Separately

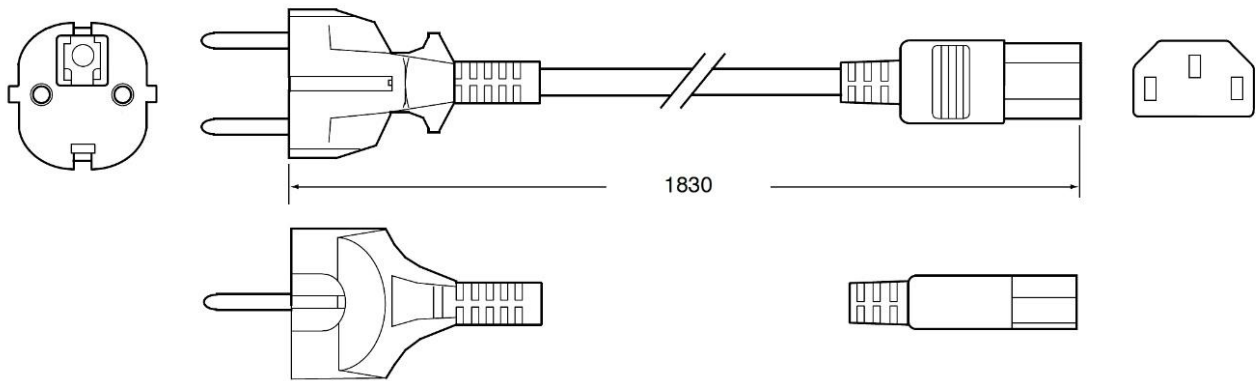
Model		AC30UNA-R	AC30UEU-R	AC30UUK-R
Specifications	Plug Type	North America NEMA 5-15P	Continental Europe CEE 7VIII	United Kingdom BS 1363
	Connector	IEC320 C13	IEC320 C13	IEC320 C13
	Wire Size	18 AWG	0.75mm	1.0mm
	Temperature	60°C	70°C	70 °C
	Amperage Rating	10A	6A	10A
	Voltage Rating	125V	250V	250V
	Cable Length	1830mm	1830mm	2500mm
Safety Approvals		CSA; UL	CEBEC; DEMKO; DVE; FIMKO; GOST; IMQ; KEMA; NEMKO; NF; OVE; SEMKO	BSI; Safety Mark
Photos				

C14 Line Cords - Outline Drawings

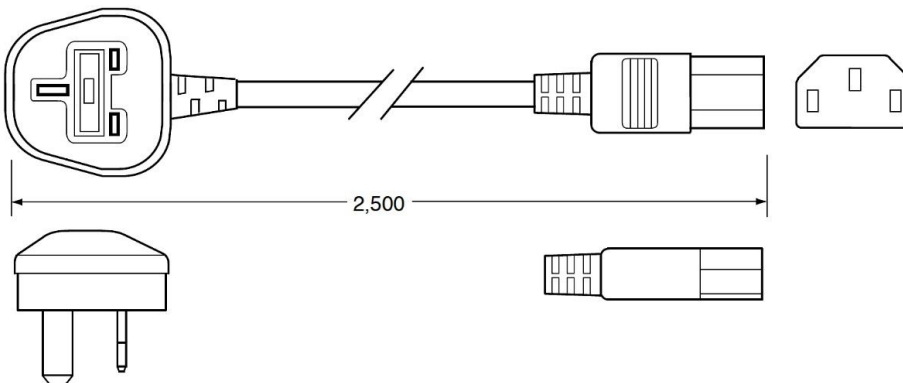
AC30UNA-R



AC30UEU-R



AC30UUK-R



Phihong Locations



Headquarters Phihong Technology Co., Ltd
No. 568, Fuxing 3rd Rd., Gueishan Dist., Taoyuan City (33383), Taiwan
Tel : +886-3-3277288
Fax : +886-3-3277622
phsales@phihong.com.tw
www.phihong.com.tw



Phihong Technology Co. Ltd. (Tainan R&D Center)
No.95, Zhengnan 1st. Street, Yongkang Dist., Tainan City 71046, Taiwan
Tel : +886-6-254-7588
Fax : +886-6-254-7288
phsales@phihong.com.tw
www.phihong.com.tw



Phihong China
Room 101, Building 5, 133-1 Tiesong Road, Qingxi Town, Dong Guan City, Guangdong (523642), China
Tel : +86-769-87736405
phsales@phihong.com.tw



Phihong USA
47800 Fremont Blvd., Fremont, CA 94538, U.S.A.
Tel : +1-510-445-0100
Fax : +1-510-445-1678
usasales@phihongusa.com
www.phihong.com



Phihong Japan
PMOEX Nihonbashi Kayabacho 10F, 2-12-10
Nihonbashi Kayabacho, Chuo City, Tokyo 103-0025 Japan
Tel : +81-3-6626-5513
Fax : +81-3-6629-0241
phsales@phihong.com.tw
www.phihong.co.jp



Phihong Vietnam
Lot CN5 An Duong Industrial Zone, Hong Phong Commune, An Duong County, Hai Phong City, Vietnam
Tel : +84-22588-31557