

TECHNICAL DATASHEET

60W Single Port Multi-Gig PoE Passive Power Injector



Applications

- IP telephones
- Wireless Network Access Points
- Security Cameras
- Bluetooth® Access Points
- WiMAX® Access Points

Features

- 4 Pair Powering +3, 4, 5, 6/ -1, 2, 7, 8
- Non-Vented Case
- Multi-Gigabit Data Rates (1G, 2.5G, 5G, 10G) models available
- DoE Level VI Compliant
- ErP/Ecodesign Directive 2009/125/EC – Regulation EU 2019/1782 Compliant
- Full Protection OCP, OVP
- Limited Power Source (LPS)
- 1-year Warranty

Safety Standards



Dimensions

140 x 65 x 36 mm
(5.5 x 2.55 x 1.42 in)

Weight

250 g

Specifications¹

| Model | POE60U-560E-R ³ | POE60U-560-2-R ³ |
|---|--|-----------------------------|
| Output | | |
| DC Output Voltage | 56.0V | |
| Max Current | 1.07A | |
| Output Power | 59.92W | |
| Data Speed | 1G | 2.5G |
| Regulation | 53-57VDC | |
| Ripple & Noise P-P(max) ⁶ | 200mV | |
| Input | | |
| AC Input Voltage Range | 90 to 264VAC | |
| AC Input Frequency | 47 to 63Hz | |
| Input Current | 0.2A (RMS) max for 90VAC, 1.2A (RMS) max for 240VAC | |
| No Load Power Consumption at 115VAC Input | 0.093W | |
| No Load Power Consumption at 230VAC Input | 0.136W | |
| 115VAC Average Efficiency ⁷ | 88.01% | |
| 230VAC Average Efficiency ⁷ | 88.72% | |
| 230VAC 10% Load Efficiency ⁷ | 82.60% | |
| Leakage Current | 3.5mA max at 254VAC/50Hz | |
| Protection | | |
| Over-Voltage | <120V, Latching | |
| Short Circuit | Non-latching. Auto-recover | |
| Over-Current | ≤2A max | |
| Environmental | | |
| Operating Temperature | 0°C to +40°C | |
| Non-Operating Temperature | -20° to +65°C | |
| Operating Humidity | 5% to 90% RH max | |
| Safety Approvals and EMC | | |
| Dielectric Withstand (HI-POT) | Primary to Secondary: 4242VDC for 1 min, 10mA | |
| Insulation Resistance | Primary to Secondary: >10M ohm for 500VDC | |
| Standards | cULus 60950-1, cULus 62368-1, IEC 60950-1, IEC 62368-1 | |
| EMI Emissions | FCC Part 15 Class B, CAN ICES-003(B)/NMB-003(B), EN 55032/CISPR 32 Class B Conducted and Radiated | |
| Harmonic Current Emissions | IEC 61000-3-2 | |
| Voltage Fluctuations & Flicker | IEC 61000-3-3 | |
| Immunity | EN 55035/CISPR 35: IEC 61000-4-2 (Contact: ±6KV, Air: ±8KV), IEC 61000-4-3, IEC 61000-4-4, IEC 61000-4-5 (± 2kV), IEC 61000-4-6, IEC 61000-4-8, IEC 61000-4-11 | |
| Mechanical | | |
| Input Connector | IEC320 C14 | |
| Output Connection | +pins 3,4,5,6/ -pins 1,2,7,8 | |
| Data In/Output Connector | Shielded RJ45 | Shielded RJ45 |

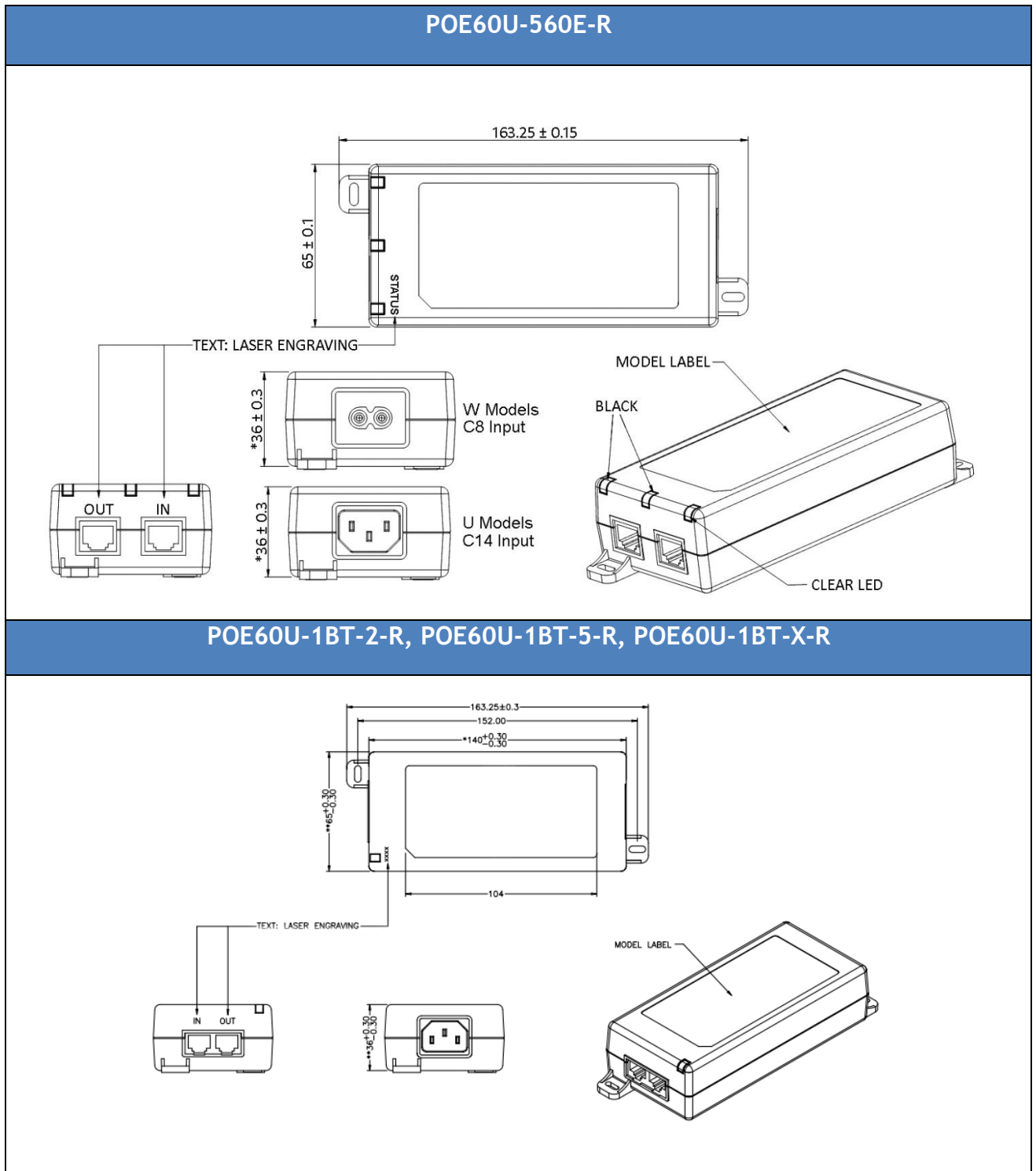
| | |
|----------------|--|
| LED Indicators | Solid Green – Power good and output “ON” Blink Amber (short, slow) – Waiting for Valid Connection/Detection 4.5.3 Blink Amber (long, fast) – Fault Condition (Over Current or Shorted) 4.5.4 Blink Amber & Green – Detection is Invalid |
|----------------|--|

Notes




1. The specifications defined are at ambient temperature of 25°C, unless otherwise specified.
2. Built-to-Order. Minimum order quantities apply.
3. Combined output on data pairs and spare pairs. Otherwise 535mA on data pairs 3,6(+) 1, 2(-) and spare pairs 4,5(+) 7,8(-)
4. Voltage to be measured within 5cm of RJ45 output connector
5. 20MHz bandwidth frequency oscilloscope, add a 0.1µF multilayer Cap. and Low ESR Electrolytic Cap. (10µF) at output connector terminals (nominal line voltage, full load).
6. Efficiency is measured after 30 minutes burn-in.

Phihong is not responsible for any error and reserves the right to make changes without notice. Please visit our website at www.phihong.com for the most up-to-date specifications and contact information.

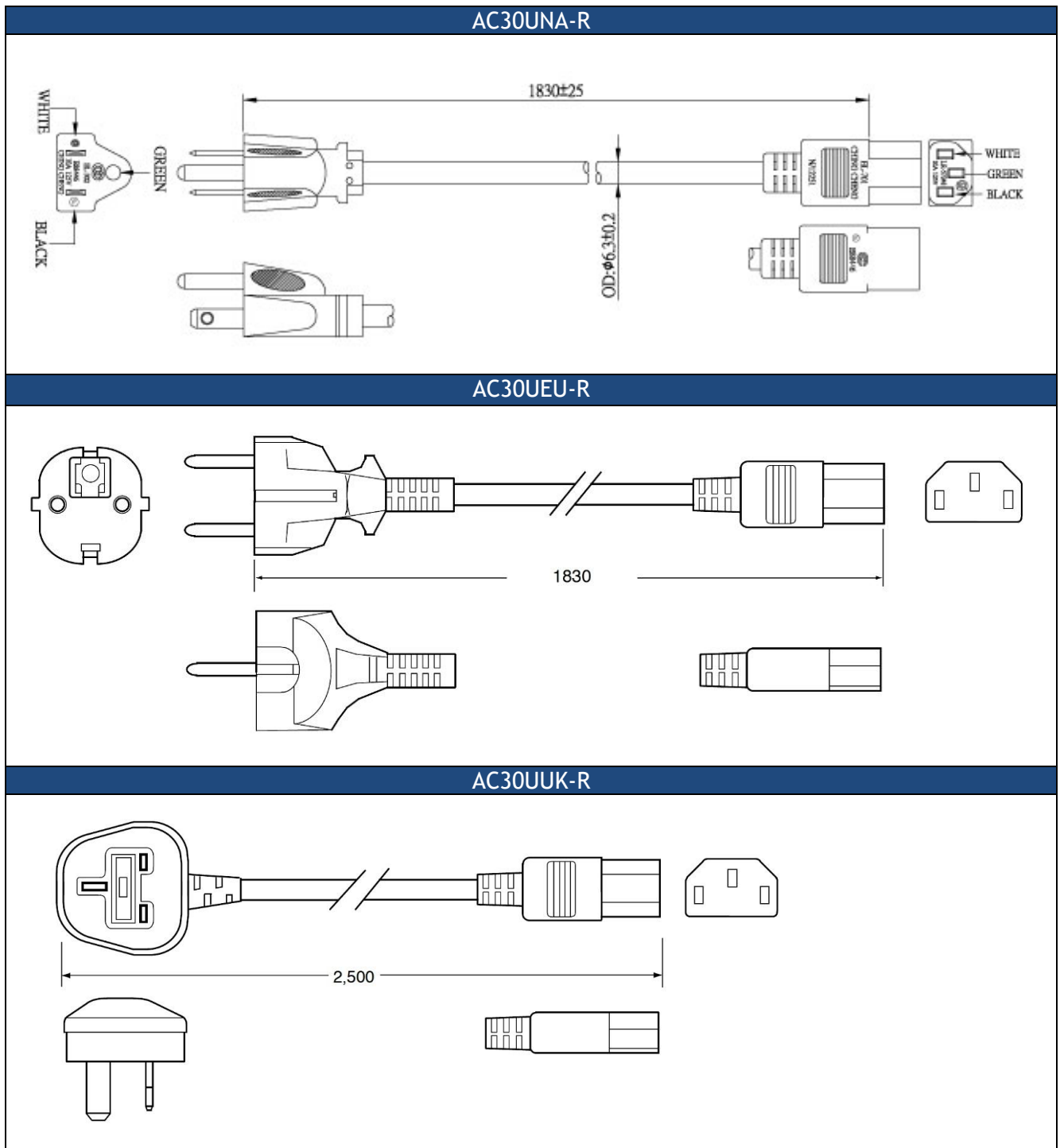
Dimensional Diagram Unit: mm



C14 Line Cords - Sold Separately

| Model | | AC30UNA-R | AC30UEU-R | AC30UUK-R |
|------------------|-----------------|--|---|--|
| Specifications | Plug Type | North America NEMA 5-15P | Continental Europe CEE 7VIII | United Kingdom BS 1363 |
| | Connector | IEC320 C13 | IEC320 C13 | IEC320 C13 |
| | Wire Size | 18 AWG | 0.75mm | 1.0mm |
| | Temperature | 60°C | 70°C | 70 °C |
| | Amperage Rating | 10A | 6A | 10A |
| | Voltage Rating | 125V | 250V | 250V |
| | Cable Length | 1830mm | 1830mm | 2500mm |
| Safety Approvals | | CSA; UL | CEBEC; DEMKO; DVE; FIMKO; GOST; IMQ; KEMA; NEMKO; NF; OVE; SEMKO | BSI; Safety Mark |
| Photos | |  |  |  |

C14 Line Cords - Outline Drawings



Phihong Locations



Headquarters Phihong Technology Co., Ltd
No. 568, Fuxing 3rd Rd., Gueishan Dist., Taoyuan City (33383), Taiwan
Tel : +886-3-3277288
Fax : +886-3-3277622
phsales@phihong.com.tw
www.phihong.com.tw



Phihong Technology Co. Ltd. (Tainan R&D Center)
No.95, Zhengnan 1st. Street, Yongkang Dist., Tainan City 71046, Taiwan
Tel : +886-6-254-7588
Fax : +886-6-254-7288
phsales@phihong.com.tw
www.phihong.com.tw



Phihong China
Room 101, Building 5, 133-1 Tiesong Road, Qingxi Town, Dong Guan City, GuangDong (523642), China
Tel : +86-769-87736405
phsales@phihong.com.tw



Phihong USA
47800 Fremont Blvd., Fremont, CA 94538, U.S.A.
Tel : +1-510-445-0100
Fax : +1-510-445-1678
usasales@phihongusa.com
www.phihong.com



Phihong Japan
PMOEX Nihonbashi Kayabacho 10F, 2-12-10
Nihonbashi Kayabacho, Chuo City, Tokyo 103-0025 Japan
Tel : +81-3-6626-5513
Fax : +81-3-6629-0241
phsales@phihong.com.tw
www.phihong.co.jp



Phihong Vietnam
Lot CN5 An Duong Industrial Zone, Hong Phong Commune, An Duong County, Hai Phong City, Vietnam
Tel : +84-22588-31557