

TECHNICAL DATASHEET

# 90W Single Port Multi-Gig Passive PoE Midspan



## Applications

- Satellite Receiver
- Wireless Network Access Points
- LCD Displays
- Security Cameras
- Kiosks
- Computer Workstations

## Features

- Single Source 4 Pair Power Current Sharing
- DoE Level VI Compliant
- ErP/Ecodesign Directive 2009/125/EC – Regulation EU 2019/1782 Compliant
- 1 Year Warranty
- Diagnostic LEDs
- Full Protection OCP, OVP
- Limited Power Source

## Safety Standards



- UL/cUL 60950-1
- UL/cUL 62368-1
- AS/NZ 62368<sup>2</sup>
- IEC60950-1
- IEC62368-1
- CE

## Dimensions

166 x 80 x 44 mm  
(6.53 x 3.15 x 1.73 inch)

## Weight

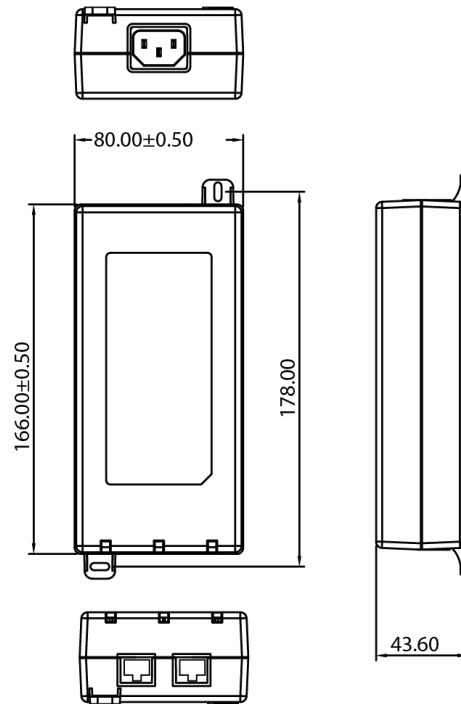
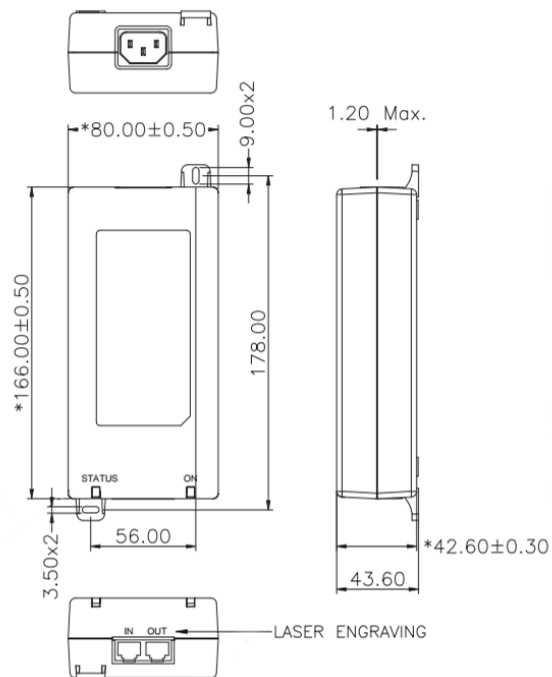
0.5 kg  
(2.2 lbs)

## POE90-560-X Specifications<sup>1</sup>

Model	POE90U-560-R	POE90U-560-2-R <sup>2</sup>	POE90U-560-2-R <sup>2</sup>	POE90U-560-2-R <sup>2</sup>
<b>Output</b>				
DC Output Voltage	56.0V			
Max Current	1.6A			
Output Power	89.6W			
Data Speed	1G	2.5G	5G	10G
Regulation	53-57VDC			
Ripple & Noise P-P(max) <sup>6</sup>	200mV			
<b>Input</b>				
AC Input Voltage Range	90 to 264VAC			
AC Input Frequency	47 to 63Hz			
Input Current	2.5A (RMS) max for 120Vac/Max, 1.2A (RMS) max for 240Vac/max load			
In-rush Current	50A (RMS) max for 115VAC; 75A (RMS) max for 240VAC			
No Load Power Consumption at 115VAC Input	0.1173W			
No Load Power Consumption at 230VAC Input	0.1471W			
115VAC Average Efficiency <sup>5</sup>	88%			
230VAC Average Efficiency <sup>5</sup>	88.72%			
230VAC 10% Load Efficiency <sup>5</sup>	83.34%			
Leakage Current	3.5mA max at 264VAC/50Hz			
<b>Protection</b>				
Over-Voltage	Voltage between 2 SELV conductors shall not exceed 42.4Vpk or 60VDC for longer than 0.2seconds. Moreover a limit of 71Vpk or 120VDC shall not be exceeded. – Latching.			
Short Circuit	The output can be shorted permanently without damage.			
Over-Current	Output #1(OUT) <1750mA; Output #2(OUT) <1750mA Output #1 and #2 combined (OUT) <3500mA			
<b>Environmental</b>				
Operating Temperature	-20°C to +60°C			
Non-Operating Temperature	-20° to +65°C			
Operating Humidity	5% to 90% RH max			
<b>Safety Approvals and EMC</b>				
Insulation Resistance	Primary to Secondary: >10M OHM 500VDC			
Standards	cULus 60950-1, cULus 62368-1, IEC 60950-1, IEC 62368-1			
EMI Emissions	FCC Part 15 Class B, CAN ICES-003(B)/NMB-003(B), EN 55032/CISPR 32 Class B Conducted and Radiated, AS/NZS 3548			
Harmonic Current Emissions	IEC 61000-3-2			
Voltage Fluctuations & Flicker	IEC 61000-3-3			
Immunity	FCC Part 15 Class B, CAN ICES-003(B)/NMB-003(B), EN 55032/CISPR 32 Class B Conducted and Radiated, AS/NZS 3548			
<b>Mechanical</b>				

Output Connection	+pins 3,4,5,6/ -pins 1,2,7,8
LED Indicators	Blue Solid – Power good, “ON” output active
<b>Notes</b>	
<ol style="list-style-type: none"><li>1. The specifications defined are at ambient temperature of 25°C, unless otherwise specified.</li><li>2. Built-to-order. Minimum order quantities apply.</li><li>3. Voltage to be measured within 5cm of RJ45 output connector.</li><li>4. 20MHz bandwidth frequency oscilloscope, add a 0.1µF multilayer Cap. and Low ESR Electrolytic Cap. (10µF) at output connector terminals (nominal line voltage, full load).</li><li>5. Efficiency is measured after 30 minutes burn-in.</li></ol>	

Phihong is not responsible for any error and reserves the right to make changes without notice. Please visit our website at [www.phihong.com](http://www.phihong.com) for the most up-to-date specifications and contact information.

**Dimensional Diagram Unit: mm**
**POE90U-560-R**

**POE90U-560-2-R, POE90U-560-5-R, POE90U-560-X-R**


## Phihong Locations



**Headquarters Phihong Technology Co., Ltd**  
No. 568, Fuxing 3rd Rd., Gueishan Dist., Taoyuan City (33383), Taiwan  
Tel : +886-3-3277288  
Fax : +886-3-3277622  
phsales@phihong.com.tw  
www.phihong.com.tw



**Phihong Technology Co. Ltd. (Tainan R&D Center)**  
No. 99, Zhengnan 1st. Street, Yongkang Dist., Tainan City 71046, Taiwan  
Tel : +886-6-254-7588  
Fax : +886-6-254-7288  
phsales@phihong.com.tw  
www.phihong.com.tw



**Phihong China**  
Room 101, Building 5, 133-1 Tiesong Road, Qingxi Town, Dong Guan City, Guangdong (523642), China  
Tel : +86-769-87736405  
phsales@phihong.com.tw



**Phihong USA**  
47800 Fremont Blvd., Fremont, CA 94538, U.S.A.  
Tel : +1-510-445-0100  
Fax : +1-510-445-1678  
usasales@phihongusa.com  
www.phihong.com



**Phihong Japan**  
PMOEX Nihonbashi Kayabacho 10F, 2-12-10  
Nihonbashi Kayabacho, Chuo City, Tokyo 103-0025 Japan  
Tel : +81-3-6626-5513  
Fax : +81-3-6629-0241  
phsales@phihong.com.tw  
www.phihong.co.jp



**Phihong Vietnam**  
Lot CN5 An Duong Industrial Zone, Hong Phong Commune,  
An Duong County, Hai Phong City, Vietnam  
Tel : +84-22588-31557