

TECHNICAL DATASHEET

90W High Surge PoE IEEE802.3bt Power Injector



Applications

- Satellite Receiver
- Security Cameras
- Wireless Access Points
- Kiosks
- LCD Displays
- Computer Workstations

Features

- IEEE802.3bt Complaint
- DOE VI Compliant
- 4kV L-L and 4kV L-PE Surge; 6kV Output Surge
- 10G Data Speed
- Limited Power Source
- Full Over-Voltage and Over-Current Protection
- Short Circuit Protection
- Non-Vented Case
- 1 Year Warranty

Safety Standards



- cUL/UL 62368-1
- CCC
- IEC 62368-1

Dimensions

166 x 80 x 44 mm
(6.53 x 3.14 x 1.72 inch)

Weight

500g (17.63oz)

Specification

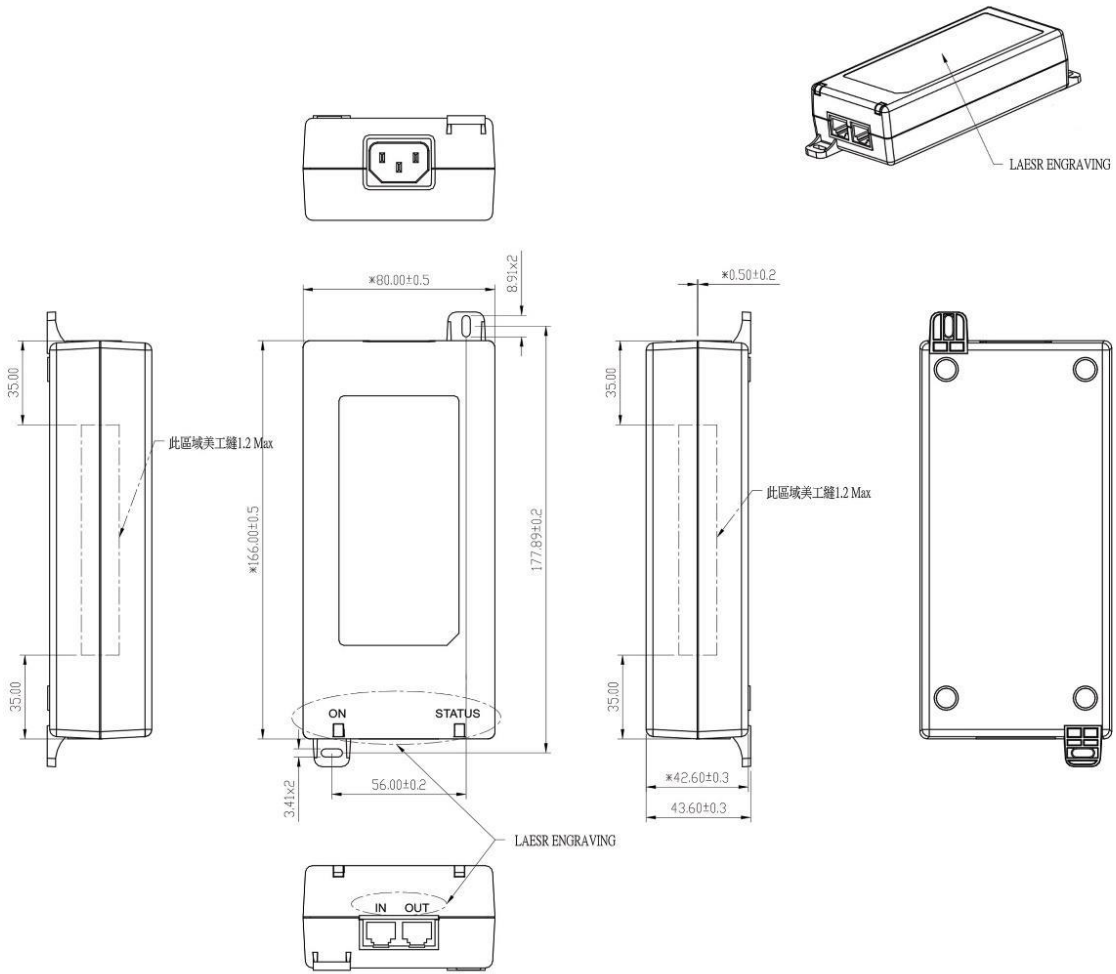
Model	Data Speed	Output Power	DC Output Voltage	Load (Combined)		Regulation ¹		Ripple ²
				Min.	Max.	Line	Load	
POE90U-BTAX460-R	10G	90W	56V	10mA	1.6A	54-57V		200mV

Characteristics¹

Model		POE90U-BTAX460-R
Output	Output Power	90W (Combined)
	Hold up Time	10mSec min at max load at 120VAC, 60Hz
	Efficiency ²	DOE Level VI
Input	AC Input Voltage Range	90 to 264VAC
	AC Input Current	2.5 Arms maximum at 90VAC @Max. load
	AC Input Frequency	47Hz to 63Hz
	Leakage Current	3.5mA max @264V, 50Hz
Environmental	Operating Temperature	-20°C to + 40°C
	Operating Humidity	10 to 90% RH max
	EMI	EN 55032/CISPR 32 Class B, FCC Part 15 Class B and CAN ICES-003(B)/NMB-003(B) Issue 7 Class B.
	Immunities	EN 55035/CISPR 35 IEC61000-4-2 (ESD) 8KV Contact/15KV Air IEC61000-4-3 (RS) Level 3, 3V/m, Criteria A IEC61000-4-4(EFT) 1KV Input, 0.5KV Output IEC61000-4-5 (Surge) 4KV L-L, 4KV L-PE; 6kV Output Surge IEC61000-4-3 (CS) Level 3, 3V IEC61000-4-11 (Dips) Class 3 IEC61000-3-2 (Harmonic) Class A
	Over Current Protection (Combined)	≤ 2000mA Max for 25K ≤ 2200mA Max for 12.5K
	Short Circuit Protection	The output can be shorted permanently without damage, Non Latching
	LED Indicators	LED #1 Blue Solid – Power Good “ON” LED # 2 (Bi-Color Amber/Green) LED Amber: Flash short and slow – No Connection Flash long and fast – Fault Condition Flash with Green – Invalid Connection/Detection LED Green Solid – Valid Connection/Detection and load Flash – Invalid load condition (<10mA)
	AC Input Connector	IEC320 C14
	DC Output	Combined Pairs 3,4,5,6 (+) & 1,2,7,8 (-)
Notes	1. The characteristics defined are at ambient temperature of 25°C unless otherwise specified 2. Efficiency is measured after 30 minutes burn-in	

Phihong is not responsible for any error and reserves the right to make changes without notice. Please visit our website at www.phihong.com for the most up-to-date specifications and contact information.

Dimensional Diagram Unit: mm



Phihong Locations



Headquarters Phihong Technology Co., Ltd
 No. 568, Fuxing 3rd Rd., Gueishan Dist., Taoyuan City (33383), Taiwan
 Tel : +886-3-3277288
 Fax : +886-3-3277622
phsales@phihong.com.tw
www.phihong.com.tw



Phihong Technology Co. Ltd. (Tainan R&D Center)
 No. 99, Zhengnan 1st. Street, Yongkang Dist., Tainan City 71046, Taiwan
 Tel : +886-6-254-7588
 Fax : +886-6-254-7288
phsales@phihong.com.tw
www.phihong.com.tw



Phihong China
 Room 101, Building 5, 133-1 Tiesong Road, Qingxi Town, Dong Guan City, GuangDong (523642), China
 Tel : +86-769-87736405
phsales@phihong.com.tw



Phihong USA
 47800 Fremont Blvd., Fremont, CA 94538, U.S.A.
 Tel : +1-510-445-0100
 Fax : +1-510-445-1678
usasales@phihongusa.com
www.phihong.com



Phihong Japan
 PMOEX Nihonbashi Kayabacho 10F, 2-12-10 Nihonbashi Kayabacho, Chuo City, Tokyo 103-0025 Japan
 Tel : +81-3-6626-5513
 Fax : +81-3-6629-0241
phsales@phihong.com.tw
www.phihong.co.jp



Phihong Vietnam
 Lot CN5 An Duong Industrial Zone, Hong Phong Commune, An Duong County, Hai Phong City, Vietnam
 Tel : +84-22588-31557