

TECHNICAL DATASHEET

30W, IEEE802.3at Single Port PoE Active Injectors



Applications

- IP Telephones
- Security Cameras
- Wireless Access Points
- IP Print Servers
- Bluetooth® Access Points
- WiMAX® Access Points

Features

- IEEE802.3at Complaint
- DOE VI Efficiency
- Australian GEMS Registered1
- Compact Size
- Limited Power Source
- Three Wire Input Models
- Full Over-Voltage and Over-Current Protection
- Non-Vented Case
- 1 Year Warranty

Safety Standards



- cUL/UL (62368-1)
- CB (IEC62368-1)
- CE
- UL, cUL, CB 60950-1
- AS/NZS 60950.11

Dimensions

126 x 45.5 x 30 mm
(4.96 x 1.79 x 1.18 inch)

Weight

0.16kg
(5.64oz)

Output Specifications

Model	Data Speed	DC Output Voltage	Load		Regulation ³	
			Min.	Max. ⁴	Line	Load
POEA30U-1ATE-R	1G	56V	10mA	536mA	54-57V	
POEA30U-1AT-2-R	2.5G	56V	10mA	536mA	54-57V	
POEA30U-1AT-5-R	5G	56V	10mA	536mA	54-57V	
POEA30U-1AT-X-R	10G	56V	10mA	536mA	54-57V	

Notes:

1. Only applies to POEA30U-1ATE-R, POEA30U-1AT-2-R and POEA30U-1AT-5-R models
2. Voltage measured within 2" of the output RJ45 connector on data pairs 3,6(+) and 1,2(-)

Phihong is not responsible for any error and reserves the right to make changes without notice. Please visit our website at www.phihong.com for the most up-to-date specifications and contact information.

Characteristics

POEA30U-1AT-R

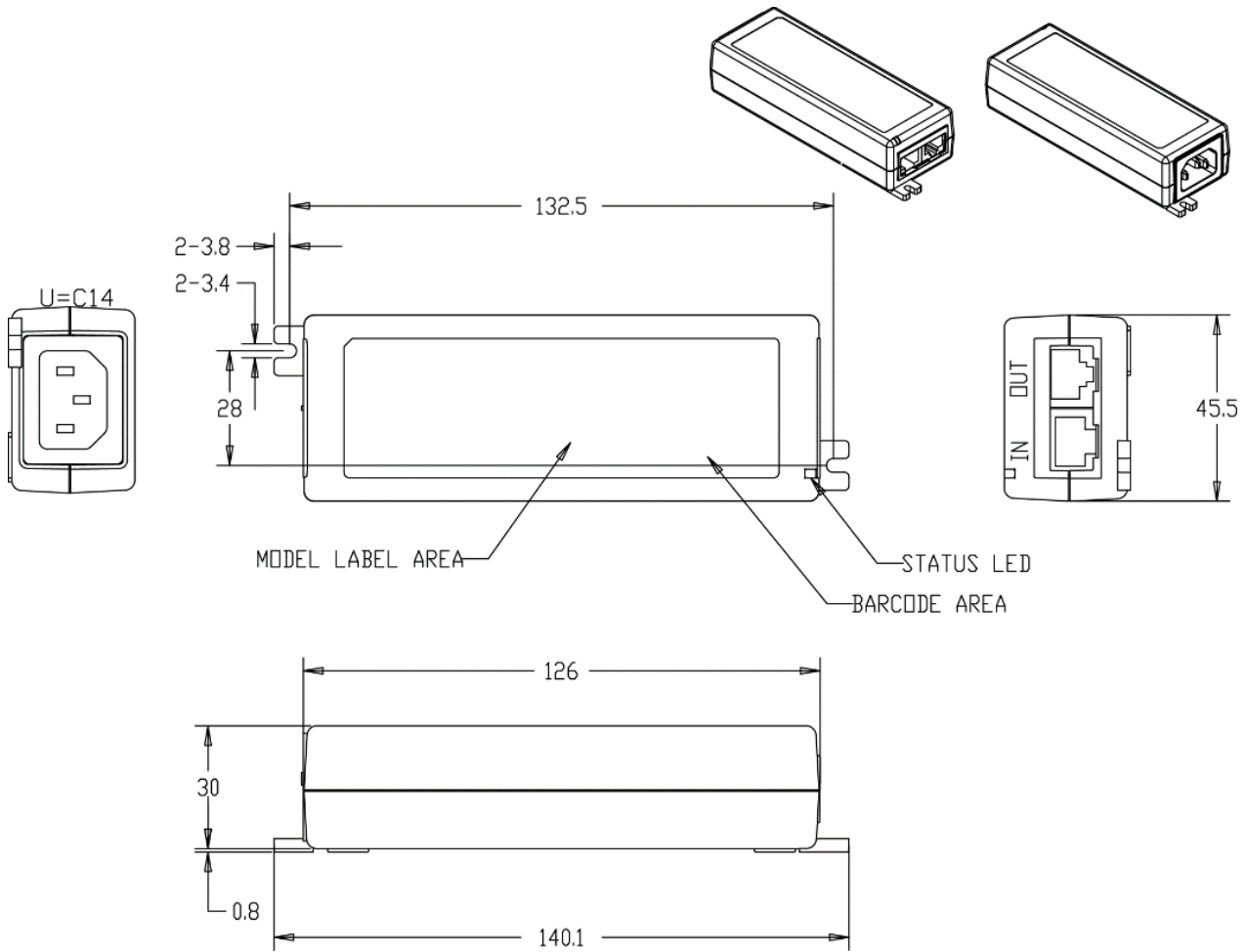
INPUT	
AC Input Voltage Range	90 to 264VAC
AC Input Current	0.8A (RMS) max
Leakage Current	3.5mA maximum @ 254VAC 50Hz
Max In-rush Current	60A max at 240VAC and max load (Cold Start at ambient 25°C)
OUTPUT	
Total Output Power	30W, de-rated up to 15W at 50°C
Hold up Time	10mSec min at max load at 120VAC, 60Hz
Efficiency ²	Minimum 85% @max load
ENVIRONMENTAL	
Temperature	Operating -10°C to +40°C Non-operating -20°C to +70°C Relative Humidity 5 to 90%
EMI	EN55032 Class B, FCC part 15 Class B AS/NZS CISPR 32, Class B ³
Isolation (HI-POT)	4242VDC for 1 minute, 10mA
Immunity	IEC61000-4-2 (ESD) 8KV Contact/15KV Air4 IEC61000-4-3 (RS) 3V/m IEC61000-44(EFT) 1KV Input 0.5KV Output IEC61000-4-5 (Surge) 1KV L-L, 2KV L-PE IEC61000-4-6 (CS) 3V IEC61000-4-11 (Dips) Class 3 IEC61000-3-2 (Harmonic) Class D IEC61000-4-5 (Surge) 1KV L-L, 2KV L-PE IEC61000-4-6 (CS) 3V IEC 61000-4-8 1A/m IEC61000-4-11 (Dips) Class 3

Insulation Resistance	Primary to secondary:>10M Ohm 500VDC
MTBF ³	>150,000 Hours Min, Full Load, 115VAC 25°C
FEATURES	
Over Current Protection	<750mA Non-latch
Over Voltage Protection	Non-Latching auto recovery
Short Circuit Protection	Non-Latching auto recovery. Output can be shorted permanently without damage
LED Indicators	Green LED Slow Blinking – No connection Green LED Fast Blinking – No Load Green Solid – Power Good Green/Yellow Fast Blink – Fault Detected Yellow Solid with Green Blink – Over/Short Current Detected
AC Input Connector	IEC320 C14
Output Connection	56VDC RJ45 Pins 3&6 56VRTN RJ45 Pins 1&2

Notes:

1. The characteristics defined are at ambient temperature of 25°C unless otherwise specified.
2. Efficiency is measured after 30 minutes burn-in.
3. Only applies to POEA30U-1ATE-R, POEA30U-1AT-2-R and POEA30U-1AT-5-R models.
4. Applies to builds after 05/2021. Original spec is 6KV Contact/8KV Air.

Dimensional Diagram Unit: mm



Phihong Locations



Headquarters Phihong Technology Co., Ltd
 No. 568, Fuxing 3rd Rd., Gueishan Dist., Taoyuan City (33383), Taiwan
 Tel : +886-3-3277288
 Fax : +886-3-3277622
phsales@phihong.com.tw
www.phihong.com.tw



Phihong Technology Co. Ltd. (Tainan R&D Center)
 No. 99, Zhengnan 1st. Street, Yongkang Dist., Tainan City 71046, Taiwan
 Tel : +886-6-254-7588
 Fax : +886-6-254-7288
phsales@phihong.com.tw
www.phihong.com.tw



Phihong China
 Room 101, Building 5, 133-1 Tiesong Road, Qingxi Town, Dong Guan City, Guangdong (523642), China
 Tel : +86-769-87736405
phsales@phihong.com.tw



Phihong USA
 47800 Fremont Blvd., Fremont, CA 94538, U.S.A.
 Tel : +1-510-445-0100
 Fax : +1-510-445-1678
usasales@phihongusa.com
www.phihong.com



Phihong Japan
 PMOEX Nihonbashi Kayabacho 10F, 2-12-10
 Nihonbashi Kayabacho, Chuo City, Tokyo 103-0025 Japan
 Tel : +81-3-6626-5513
 Fax : +81-3-6629-0241
phsales@phihong.com.tw
www.phihong.co.jp



Phihong Vietnam
 Lot CN5 An Duong Industrial Zone, Hong Phong Commune, An Duong County, Hai Phong City, Vietnam
 Tel : +84-22588-31557