

TECHNICAL DATASHEET

30W Single Port Multi-Gig PoE Passive Power Injector



Applications

- IP telephones
- Wireless Network Access Points
- Security Cameras
- Bluetooth® Access Points
- WiMAX® Access Points

Features

- No Detection – passive injector
- Non-Vented Case
- Multi-Gigabit Data Rates (1G, 2.5G, 5G, 10G)
- DoE Level VI Compliant
- ErP/Ecodesign Directive 2009/125/EC – Regulation EU 2019/1782 Compliant
- Full Protection OCP, OVP
- Limited Power Source (LPS)
- 1-year Warranty

Safety Standards



Dimensions

132.5 x 45.5 x 30 mm
(5.22 x 1.79 x 1.18 inch)

Weight

0.2 kg

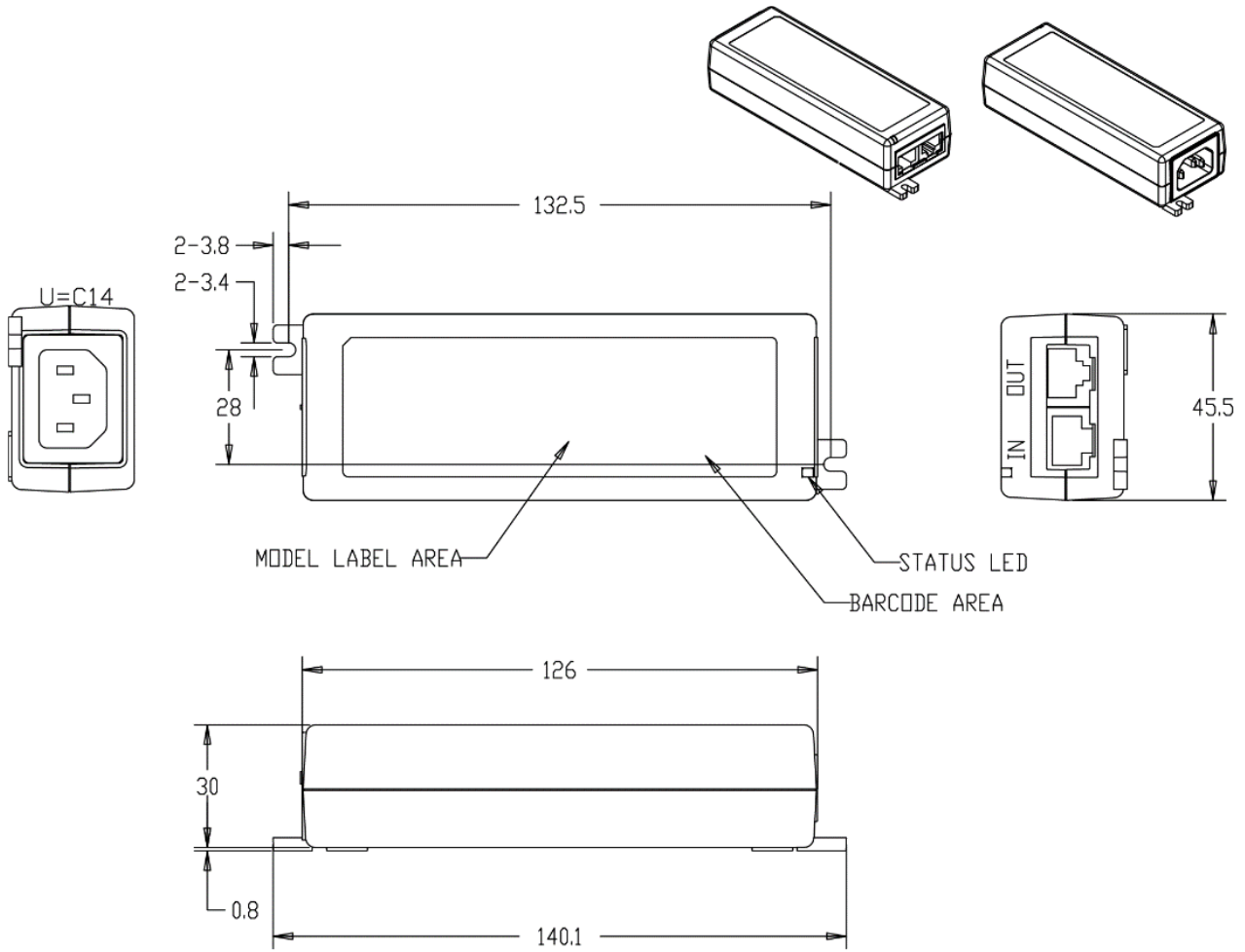
POEA30U-560-X Specifications¹

Model	POEA30U-560-R ²	POEA30U-560E-R ³	POEA30U-560E-R ³
Output			
DC Output Voltage	56.0V (+1V, -2V)		
Max Current	0.536A		
Output Power	30.02W		
Data Speed	1G	1G	2.5G
Regulation	± 5%		
Ripple & Noise P-P(max) ⁶	200mV		
Input			
AC Input Voltage Range	90 to 264VAC		
AC Input Frequency	47 to 63Hz		
Input Current	0.8A (RMS) max		
No Load Power Consumption at 115VAC Input	0.061W		
No Load Power Consumption at 230VAC Input	0.071W		
115VAC Average Efficiency ⁵	89.97%		
230VAC Average Efficiency ⁵	89.90%		
230VAC 10% Load Efficiency ⁵	81.40%		
Leakage Current	3.5mA max at 254VAC/50Hz		
Protection			
Over-Voltage	<120V		
Short Circuit	Non-latching. Auto-recover		
Over-Current	≤1200mA max		
Environmental			
Operating Temperature	-10°C to +50°C		
Non-Operating Temperature	-20° to +70°C		
Operating Humidity	5% to 90% RH max		
Safety Approvals and EMC			
Dielectric Withstand (HI-POT)	Primary to Secondary: 4242VDC for 1 min, 10mA		
Insulation Resistance	Primary to Secondary: >10M ohm for 500VDC		
Standards	cULus 60950-1, cULus 62368-1, IEC 60950-1, IEC 62368-1		
EMI Emissions	FCC Part 15 Class B, CAN ICES-003(B)/NMB-003(B), EN 55032/CISPR 32 Class B Conducted and Radiated		
Harmonic Current Emissions	IEC 61000-3-2		
Voltage Fluctuations & Flicker	IEC 61000-3-3		
Immunity	EN 55035/CISPR 35: IEC 61000-4-2 (Contact: ±8KV, Air: ±15KV) ⁷ , IEC 61000-4-3, IEC 61000-4-4, IEC 61000-4-5 (± 2kV), IEC 61000-4-6, IEC 61000-4-8, IEC 61000-4-11		
Mechanical			
Input Connection	IEC320 C14		
Output Connection	+pins 3,6/ -pins 1,2		
LED Indicators	Solid Blue: Power "ON"		
Data In/Output Connector	Unshielded RJ45	Shielded RJ45	Shielded RJ45

Model	POEA30U-560-5-R ³	POEA30U-560-X-R ³
Output		
DC Output Voltage	56.0V (+1V, -2V)	
Max Current	0.536A	
Output Power	30.02W	
Data Speed	5G	10G
Regulation	± 5%	
Ripple & Noise P-P(max) ⁵	200mV	
Input		
AC Input Voltage Range	90 to 264VAC	
AC Input Frequency	47 to 63Hz	
Input Current	0.8A (RMS) max	
No Load Power Consumption at 115VAC Input	0.061W	
No Load Power Consumption at 230VAC Input	0.071W	
115VAC Average Efficiency ⁶	89.97%	
230VAC Average Efficiency ⁶	89.90%	
230VAC 10% Load Efficiency ⁶	81.40%	
Leakage Current	3.5mA max at 254VAC/50Hz	
Protection		
Over-Voltage	<120V	
Short Circuit	Non-latching. Auto-recover.	
Over-Current	≤1200mA max	
Environmental		
Operating Temperature	-10°C to +50°C	
Non-Operating Temperature	-20° to +70°C	
Operating Humidity	5% to 90% RH max	
Safety Approvals and EMC		
Dielectric Withstand (HI-POT)	Primary to Secondary: 4242VDC for 1 min, 10mA	
Insulation Resistance	Primary to Secondary: >10M ohm for 500VDC	
Standards	cULus 60950-1, cULus 62368-1, IEC 60950-1, IEC 62368-1	
EMI Emissions	FCC Part 15 Class B, CAN ICES-003(B)/NMB-003(B), EN 55032/CISPR 32 Class B Conducted and Radiated	
Harmonic Current Emissions	IEC 61000-3-2	
Voltage Fluctuations & Flicker	IEC 61000-3-3	
Immunity	EN 55035/CISPR 35: IEC 61000-4-2 (Contact: ±8KV, Air: ±15KV) ⁷ , IEC 61000-4-3, IEC 61000-4-4, IEC 61000-4-5 (± 2kV), IEC 61000-4-6, IEC 61000-4-8, IEC 61000-4-11	
Mechanical		
Output Connection	IEC320 C14	
Output Connection	+pins 3,6/ -pins 1,2	
LED Indicators	Solid Blue: Power "ON"	
Data In/Output Connector	Unshielded RJ45	Shielded RJ45

Phihong is not responsible for any error and reserves the right to make changes without notice. Please visit our website at www.phihong.com for the most up-to-date specifications and contact information.

Dimensional Diagram Unit: mm



Phihong Locations



Headquarters Phihong Technology Co., Ltd
No. 568, Fuxing 3rd Rd., Gueishan Dist., Taoyuan City (33383), Taiwan
Tel : +886-3-3277288
Fax : +886-3-3277622
phsales@phihong.com.tw
www.phihong.com.tw



Phihong Technology Co. Ltd. (Tainan R&D Center)
No. 99, Zhengnan 1st. Street, Yongkang Dist., Tainan City 71046, Taiwan
Tel : +886-6-254-7588
Fax : +886-6-254-7288
phsales@phihong.com.tw
www.phihong.com.tw



Phihong China
Room 101, Building 5, 133-1 Tiesong Road, Qingxi Town, Dong Guan City, Guangdong (523642), China
Tel : +86-769-87736405
phsales@phihong.com.tw



Phihong USA
47800 Fremont Blvd., Fremont, CA 94538, U.S.A.
Tel : +1-510-445-0100
Fax : +1-510-445-1678
usasales@phihongusa.com
www.phihong.com



Phihong Japan
PMOEX Nihonbashi Kayabacho 10F, 2-12-10
Nihonbashi Kayabacho, Chuo City, Tokyo 103-0025 Japan
Tel : +81-3-6626-5513
Fax : +81-3-6629-0241
phsales@phihong.com.tw
www.phihong.co.jp



Phihong Vietnam
Lot CN5 An Duong Industrial Zone, Hong Phong Commune, An Duong County, Hai Phong City, Vietnam
Tel : +84-22588-31557