

TECHNICAL DATASHEET

33W, IEEE802.3at Single Port PoE Active Injector



Applications

- IP Telephones
- Security Cameras
- Wireless Access Points
- IP Print Servers
- Bluetooth® Access Points
- WiMAX® Access Points

Features

- IEEE802.3at Complaint
- DOE VI Efficiency
- Australian GEMS Registered
- Compact Size
- Limited Power Source
- Three Wire Input
- Full Over-Voltage and Over-Current Protection
- Non-Vented Case
- 1 Year Warranty

Safety Standards

- cUL/UL 62368-1
- cUL/UL, 60950-1



- UKCA
- BSMI
- CCC
- PSB
- C
- CE
- IEC 62368-1
- RCM 62368-1
- KC+KCC
- EAC
- BSI

Dimensions

140.1 x 45.5 x 30 mm
(5.51 x 1.79 x 1.18 inch)

Weight

0.2 kg
(7.05oz)

Output Specifications

| Model | Data Speed | DC Output Voltage | Output Power | Load | | Regulation ³ | | Ripple ² |
|----------------|------------|-------------------|--------------|------|-------|-------------------------|------|---------------------|
| | | | | Min. | Max. | Line | Load | |
| POEA33U-1ATE-R | 1G | 55V | 33W | 10mA | 600mA | 54-57V | | 200mV |

Notes:

1. Voltage measured within 5cm of the output RJ45 connector on data pairs 3,6(+) and 1,2(-)
2. Measured with by-pass capacitors 0.1uf/10uf at output connector terminal and oscilloscope set at 20Mhz. 20 minutes warm-up required when operating at negative temperature.

Phihong is not responsible for any error and reserves the right to make changes without notice. Please visit our website at www.phihong.com for the most up-to-date specifications and contact information.

Characteristics¹

| Model | POEA33U-1AT-R |
|---------------------------|--|
| Input | |
| AC Input Voltage Range | 90 to 264VAC |
| AC Input Current | 0.8A (RMS) max |
| AC Input Frequency | 47Hz to 63Hz |
| Leakage Current | 3.5mA max @254V, 50Hz |
| Max In-rush Current | 70A max at 240VAC and max load (Cold Start at ambient 25°C) |
| Output | |
| Output Power | 33W @ -10°C to + 40°C, de-rated to 15W at 50°C |
| Hold up Time | 10mSec min at max load at 120VAC, 60Hz |
| Efficiency ² | DOE Level VI |
| Environmental | |
| Operating Temperature | -10°C to +50°C |
| Non-Operating Temperature | -20° to +70°C |
| Operating Humidity | 5% to 90% RH max |
| EMI | EN55032 Class B, FCC part 15 Class B AS/NZS CISPR 32 Class B |
| Immunities | IEC61000-4-2 (ESD) 4KV Contact/8KV Air IEC61000-4-3 (RS) 3V/m IEC61000-4-4(EFT) 1KV Input, 0.5KV Output IEC61000-4-5 (Surge) 1KV L-L, 2KV L-PE IEC61000-4-6 (CS) 3V IEC61000-4-11 (Dips) Class 3 IEC61000-3-2 (Harmonic) Class D |
| Isolation (HI-POT) | 4242VDC for 1 minute, 10mA |
| Insulation Resistance | Primary to secondary:>10M Ohm 500VDC |
| MTBF | 150,000 Hours Min @ Max Load 115VAC 25°C |
| Features | |

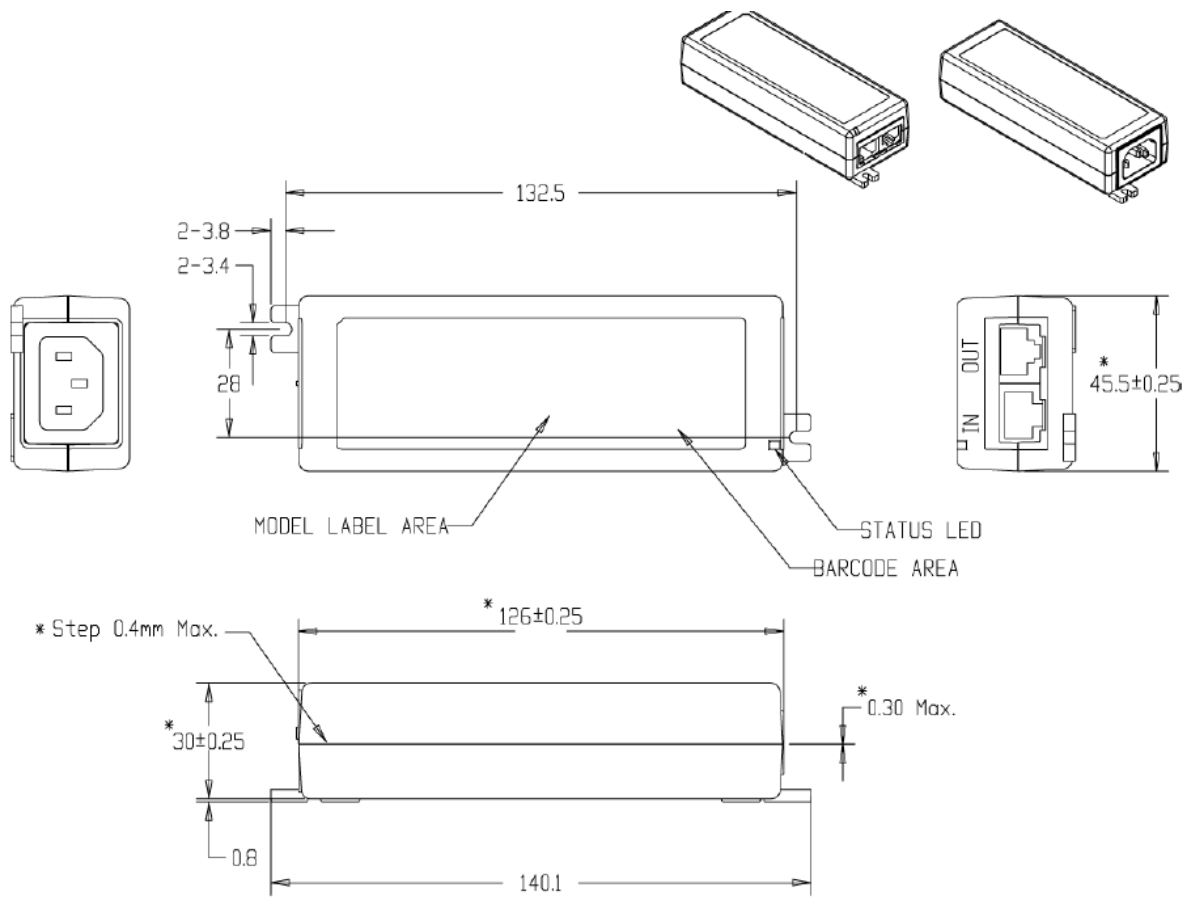
| | |
|--------------------------|---|
| Over Voltage Protection | 120VDC. Non-latching |
| Over Current Protection | ≤750mA |
| Short Circuit Protection | Non-Latching auto recovery. Output can be shorted permanently without damage |
| LED Indicators | Green LED Slow Blinking – No connection Green LED Fast Blinking – No Load Green Solid – Power Good Green/Yellow Fast Blink – Fault Detected Yellow Solid with Green Blink – Over/Short Current Detected |
| AC Input Connector | IEC320 C14 |
| Output Connection | 56VDC shielded RJ45 Pins 3&6 56VRTN shielded RJ45 Pins 1&2 |

Notes:

1. The characteristics defined are at ambient temperature of 25°C unless otherwise specified
2. Efficiency is measured after 30 minutes burn-in

Phihong is not responsible for any error and reserves the right to make changes without notice. Please visit our website at www.phihong.com for the most up-to-date specifications and contact information.

Dimensional Diagram Unit: mm



Phihong Locations



Headquarters Phihong Technology Co., Ltd
No. 568, Fuxing 3rd Rd., Gueishan Dist., Taoyuan City (33383), Taiwan
Tel : +886-3-3277288
Fax : +886-3-3277622
phsales@phihong.com.tw
www.phihong.com.tw



Phihong Technology Co. Ltd. (Tainan R&D Center)
No. 99, Zhengnan 1st. Street, Yongkang Dist., Tainan City 71046, Taiwan
Tel : +886-6-254-7588
Fax : +886-6-254-7288
phsales@phihong.com.tw
www.phihong.com.tw



Phihong China
Room 101, Building 5, 133-1 Tiesong Road, Qingxi Town, Dong Guan City, Guangdong (523642), China
Tel : +86-769-87736405
phsales@phihong.com.tw



Phihong USA
47800 Fremont Blvd., Fremont, CA 94538, U.S.A.
Tel : +1-510-445-0100
Fax : +1-510-445-1678
usasales@phihongusa.com
www.phihong.com



Phihong Japan
PMOEX Nihonbashi Kayabacho 10F, 2-12-10
Nihonbashi Kayabacho, Chuo City, Tokyo 103-0025 Japan
Tel : +81-3-6626-5513
Fax : +81-3-6629-0241
phsales@phihong.com.tw
www.phihong.co.jp



Phihong Vietnam
Lot CN5 An Duong Industrial Zone, Hong Phong Commune, An Duong County, Hai Phong City, Vietnam
Tel : +84-22588-31557