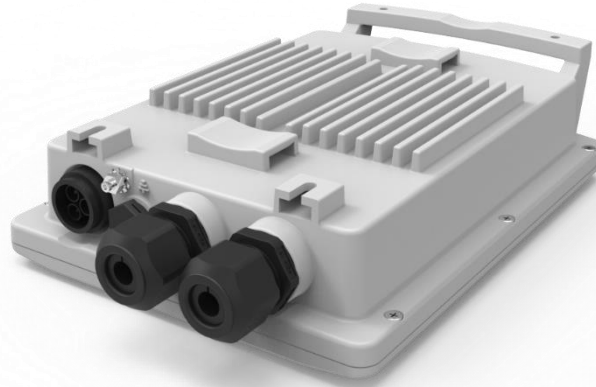


TECHNICAL DATASHEET

30W IEEE802.3at PoE Single Port Injector IP67 Rated for Outdoor Applications



Applications

- Outdoor Security Cameras
- Outdoor Emergency Lighting
- Outdoor Wireless Access Points

Features

- Compliant with the IEEE802.3at Standard
- Gigabit Compatible
- IP67 Rating(waterproof)
- -40°C to +65°C Temperature Range
- 30W Max Power
- Non-Vented Case with Mounting Bracket
- Full Protection OCP, OVP
- 1-Year Warranty
- Cable Glands and AC connector included for Waterproof Operation

Safety Standards



- cUL/UL 62368-1
- CE (IEC 62368-1)

Dimensions

246 x 170 x 58.5 mm
(9.69 x 6.69 x 2.3 inch)

Weight

2.2 kg

Output Specifications

Model	Data Speed	DC Output Voltage	Load		Regulation ³		Ripple ¹ P-P (max.)
			Min.	Max.	Line	Load	
POEO30U-1AT-R	1G	56V	10mA	0.535A	+1/-2V		200mV
POEO30U-1AT-X-R	10G	56V	10mA	0.535A	+1/-2V		200mV

Notes:

1. Measured with by-pass capacitors 0.1uf/10uf at output connector terminal and oscilloscope set at 20Mhz (tested by oscilloscope). 20 minutes warm-up required when operating at negative temperature

Phihong is not responsible for any error and reserves the right to make changes without notice. Please visit our website at www.phihong.com for the most up-to-date specifications and contact information.

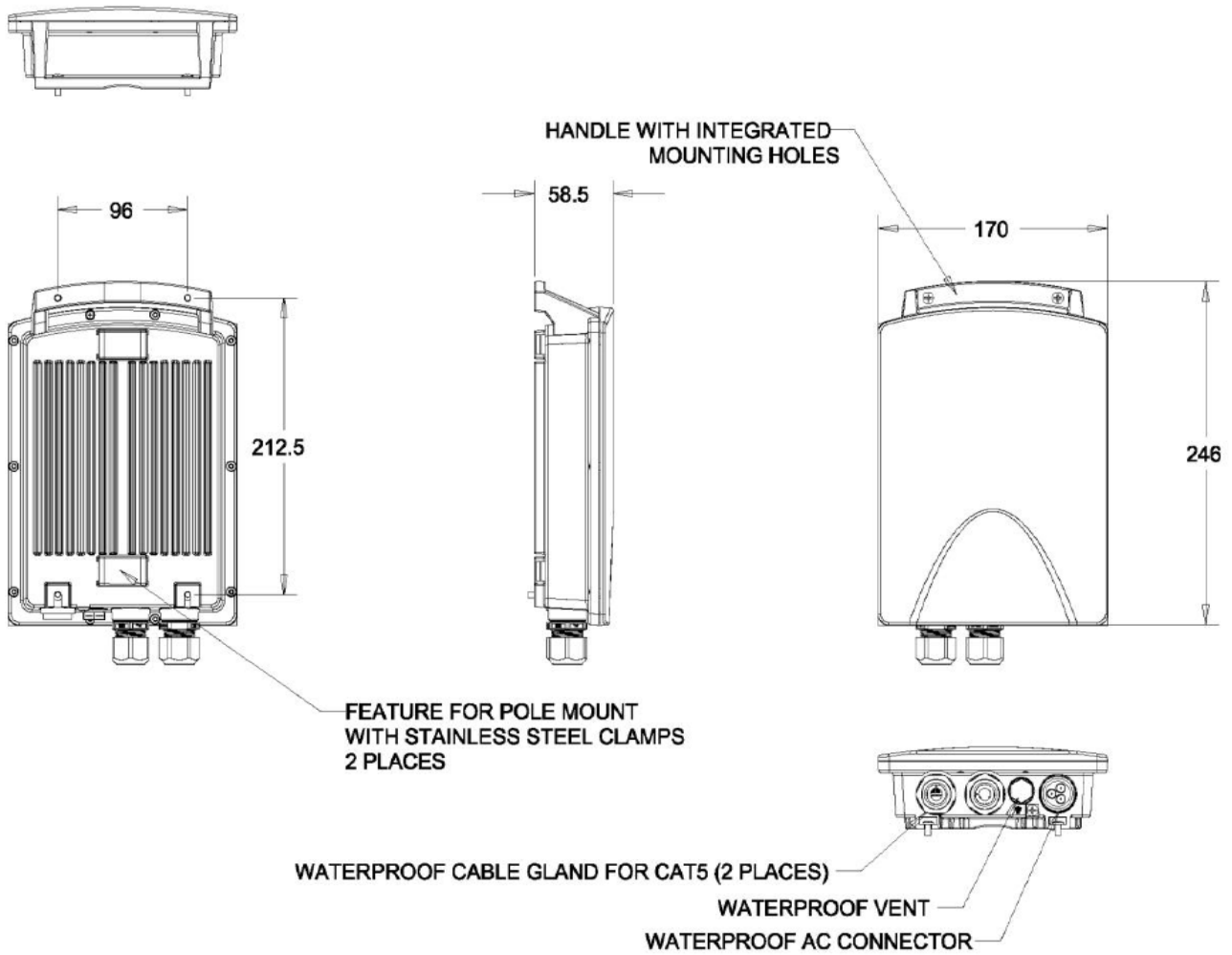
Characteristics¹

INPUT	
AC Input Voltage Range	90 to 264VAC
AC Input Voltage Rating	100 to 240VAC
AC Input Current	0.8A (RMS) at maximum load
AC Input Frequency	47 to 63Hz
Leakage Current	3.5mA max @254VAC, 50Hz
Max Inrush Current	75A for 240VAC at maximum load
OUTPUT	
Total Output Power	30W at 65°C
Efficiency ²	85% (typical) at full load, 120VAC 60Hz
ENVIRONMENTAL	
Temperature	Operating -40 to +65°C Non-operating -40 to +65°C Relative Humidity 5 to 90%
EMI	Complies with FCC Class B Complies with EN55032 Class B
Isolation (HI-POT)	Primary to Secondary: 4242 VDC for 1 minute, 10mA Primary to Field Ground: 2121VDC for 1 minute, 10mA Output to Field Ground: 2121VDC for 1 minute, 10mA
Immunity	ESD: IEC61000-4-2 Level 3 RS: IEC61000-4-3 Level 3 EFT: IEC61000-4-4 Level 2 Surge: IEC61000-4-5 6KV CS: IEC61000-4-6 Level 3 Voltage Dips IEC61000-4-11 Harmonic: EN61000-3-2 Class A
Insulation Resistance	Primary to Secondary: >10M OHM 500VDC Primary to Earth Ground: >10M OHM 500VDC

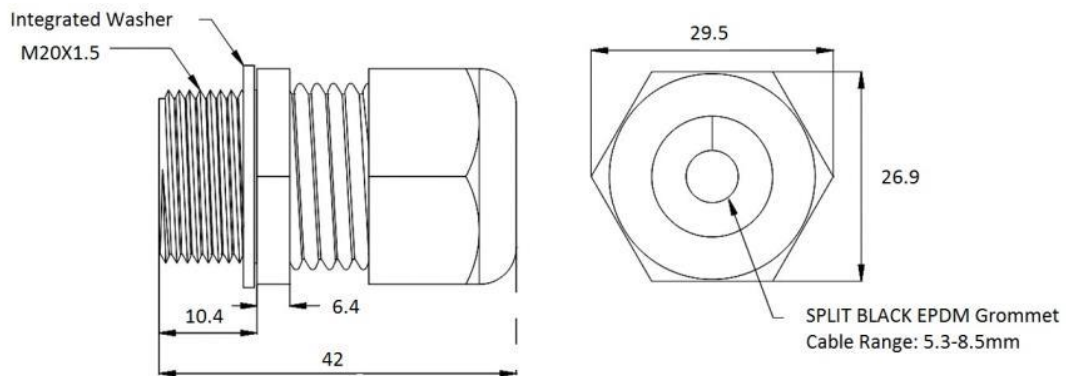
FEATURES	
Over Current Protection	According to IEEE802.3AT Limits
Over Voltage Protection	Conforms to UL60950-1
Short Circuit Protection	Non-latching auto recovery, output can be shorted permanently without damage.
Input Connector	Twist lock 3 pin provided
Output PoE Connector	RJ45 with cable glands
Output PoE Connection	+pins 3, 6 / -pins 1, 2
Characteristics	
Input/Output Case Ports	Data only - RJ45 + cable gland Data + Power – RJ45 + cable gland AC input – Exceedcon EP030-2224-00 EP series
Network Switch	Network Switch must be Environment Rated B as per paragraph 33.4.1.1 of the IEEE802.3at standard

Phihong is not responsible for any error and reserves the right to make changes without notice. Please visit our website at www.phihong.com for the most up-to-date specifications and contact information.

Dimensional Diagram Unit: mm



Single Cable Gland - similar to below. * Dimension Diagram unit:mm



Note *: Cable Glands included

Phihong Locations



Headquarters Phihong Technology Co., Ltd
No. 568, Fuxing 3rd Rd., Gueishan Dist., Taoyuan City (33383), Taiwan
Tel : +886-3-3277288
Fax : +886-3-3277622
phsales@phihong.com.tw
www.phihong.com.tw



Phihong Technology Co. Ltd. (Tainan R&D Center)
No. 99, Zhengnan 1st. Street, Yongkang Dist., Tainan City 71046, Taiwan
Tel : +886-6-254-7588
Fax : +886-6-254-7288
phsales@phihong.com.tw
www.phihong.com.tw



Phihong China
Room 101, Building 5, 133-1 Tiesong Road, Qingxi Town, Dong Guan City, Guangdong (523642), China
Tel : +86-769-87736405
phsales@phihong.com.tw



Phihong USA
47800 Fremont Blvd., Fremont, CA 94538, U.S.A.
Tel : +1-510-445-0100
Fax : +1-510-445-1678
usasales@phihongusa.com
www.phihong.com



Phihong Japan
PMOEX Nihonbashi Kayabacho 10F, 2-12-10
Nihonbashi Kayabacho, Chuo City, Tokyo 103-0025 Japan
Tel : +81-3-6626-5513
Fax : +81-3-6629-0241
phsales@phihong.com.tw
www.phihong.co.jp



Phihong Vietnam
Lot CN5 An Duong Industrial Zone, Hong Phong Commune, An Duong County, Hai Phong City, Vietnam
Tel : +84-22588-31557