

**TECHNICAL DATASHEET**

# 60W Power Delivery 3.0 POE-to-USB C Converter

**Applications**

- Mobile Phone
- Tablet
- Laptop Computer
- Networking Device
- Bluetooth & Multimedia Speaker

**Features**

- Power Delivery 3.0
- USB-C Receptacle
- Works with IEEE802.3bt Compliant Power Sourcing Equipment
- 10/100/1000 Mbps Data Input Speed
- Short Circuit, Over-Current & Over-Voltage Protection

**Dimensions**

119.1 x 65.5 x 30.8 mm  
(4.69 x 2.58 x 1.21 inch)

**Weight**

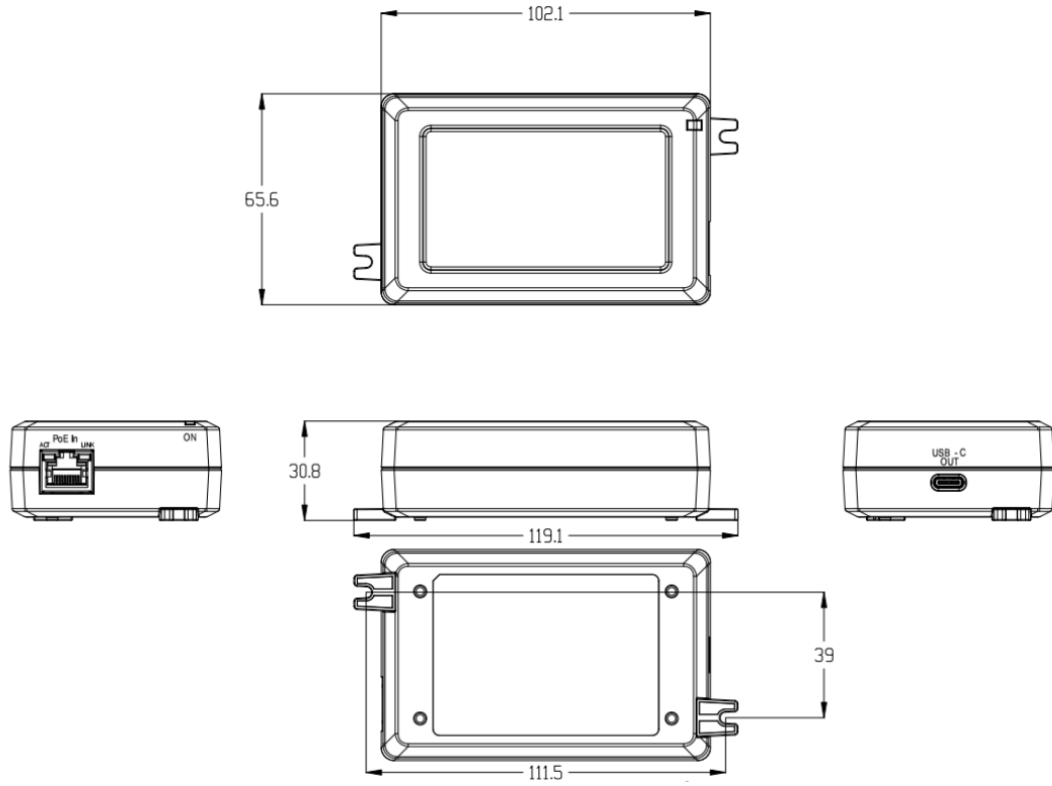
128g

## Characteristics<sup>1</sup>

Model		POEUSB60-1BT-R
Output	DC Output Voltage	5.0V/9.0V/12V/15.0V/20.0V
	Max Current	5.0V/9.0V/12V/15.0V/20.0V
	Output Power	60W
	Regulation	± 2% Line (3% for 5V) / ± 2% Load (3% for 5V)
	Ripple & Noise P-P(max) <sup>2</sup>	250mV
Input	DC Input Voltage Range	44V to 56V
	Input Current	1.6A max.
	Efficiency	5V: 73%; 9V: 81%; 12V: 83%; 15V: 84%; 20V: 85%
Protection	Over-Voltage	24VDC max. Non-latching
	Short Circuit	Hiccup mode. Output can be shorted permanently without damage.
	Over-Current	Hiccup mode
Environmental	Operating Temperature	-20°C to +40°C
	Non-Operating Temperature	-20°C to +65°C
	Operating Humidity	5% to 90% RH max
Emissions & Immunities	EMC and Immunities	EN55032 Class B IEC 61000-4-2 (10KV contact discharge/12KV air discharge), IEC 61000-4-3 (3V/M), IEC 61000-4-4 (±2kV 5/50nS 5Khz), IEC 61000-4-5 (Unshielded Sym. Data Lines: 0.5KV, Shielded Sym. Data Lines: 1KV)
Mechanical	Dimensions (L x W x H)	119.1mm (4.69in) x 65.6mm (2.58in) x 30.8mm (1.21in)
	Weight	128g
	DC Output Connector	USB-C
	Input Connector	RJ45 Jack
Indicator Lights	LED	LED #1: Blue – Indicator for output power “on” LED #2 (RJ45): Orange – Indicator for data activity LED #3 (RJ45): Green – Indicator for link speed
Notes	<ol style="list-style-type: none"> <li>The specifications defined are at ambient temperature of 25°C, unless otherwise specified.</li> <li>Using 20MHz bandwidth frequency oscilloscope and measured using socket probe across 100uF electrolytic and 0.1uF ceramic capacitors at the barrel connector output (nominal line voltage, full load).</li> </ol>	

Pihong is not responsible for any error and reserves the right to make changes without notice. Please visit our website at [www.pihong.com](http://www.pihong.com) for the most up-to-date specifications and contact information.

Dimensional Diagram Unit: mm



## Phihong Locations



**Headquarters Phihong Technology Co., Ltd**  
No. 568, Fuxing 3rd Rd., Gueishan Dist., Taoyuan City (33383), Taiwan  
Tel : +886-3-3277288  
Fax : +886-3-3277622  
phsales@phihong.com.tw  
www.phihong.com.tw



**Phihong Technology Co. Ltd. (Tainan R&D Center)**  
No. 99, Zhengnan 1st. Street, Yongkang Dist., Tainan City 71046, Taiwan  
Tel : +886-6-254-7588  
Fax : +886-6-254-7288  
phsales@phihong.com.tw  
www.phihong.com.tw



**Phihong China**  
Room 101, Building 5, 133-1 Tiesong Road, Qingxi Town, Dong Guan City, Guangdong (523642), China  
Tel : +86-769-87736405  
phsales@phihong.com.tw



**Phihong USA**  
47800 Fremont Blvd., Fremont, CA 94538, U.S.A.  
Tel : +1-510-445-0100  
Fax : +1-510-445-1678  
usasales@phihongusa.com  
www.phihong.com



**Phihong Japan**  
PMOEX Nihonbashi Kayabacho 10F, 2-12-10, Nihonbashi Kayabacho, Chuo City, Tokyo 103-0025 Japan  
Tel : +81-3-6626-5513  
Fax : +81-3-6629-0241  
phsales@phihong.com.tw  
www.phihong.co.jp



**Phihong Vietnam**  
Lot CN5 An Duong Industrial Zone, Hong Phong Commune, An Duong County, Hai Phong City, Vietnam  
Tel : +84-22588-31557