

TECHNICAL DATASHEET

5W Fixed Blade USB Charger - AU/NZ



Applications

- Smart Phones
- PDAs
- Personal Electronics
- Digital Cameras

Features

- Fixed Blade
- Halogen Free
- Low Profile
- Low Cost
- Halogen Free
- The charging scheme: Data Lines (Pins 2 and 3) Shorted.
- Australian and New Zealand MEPS (Minimum Energy Performance Standards) Compliance
 - o AS/NZS 4665.1:2005 + A1:2009
 - o AS/NZS 4665.2:2005 + A1:2009

Safety Standards



Dimensions

70.6 x 43.5 x 25 mm
(2.78 x 1.71 x 0.98 inch)

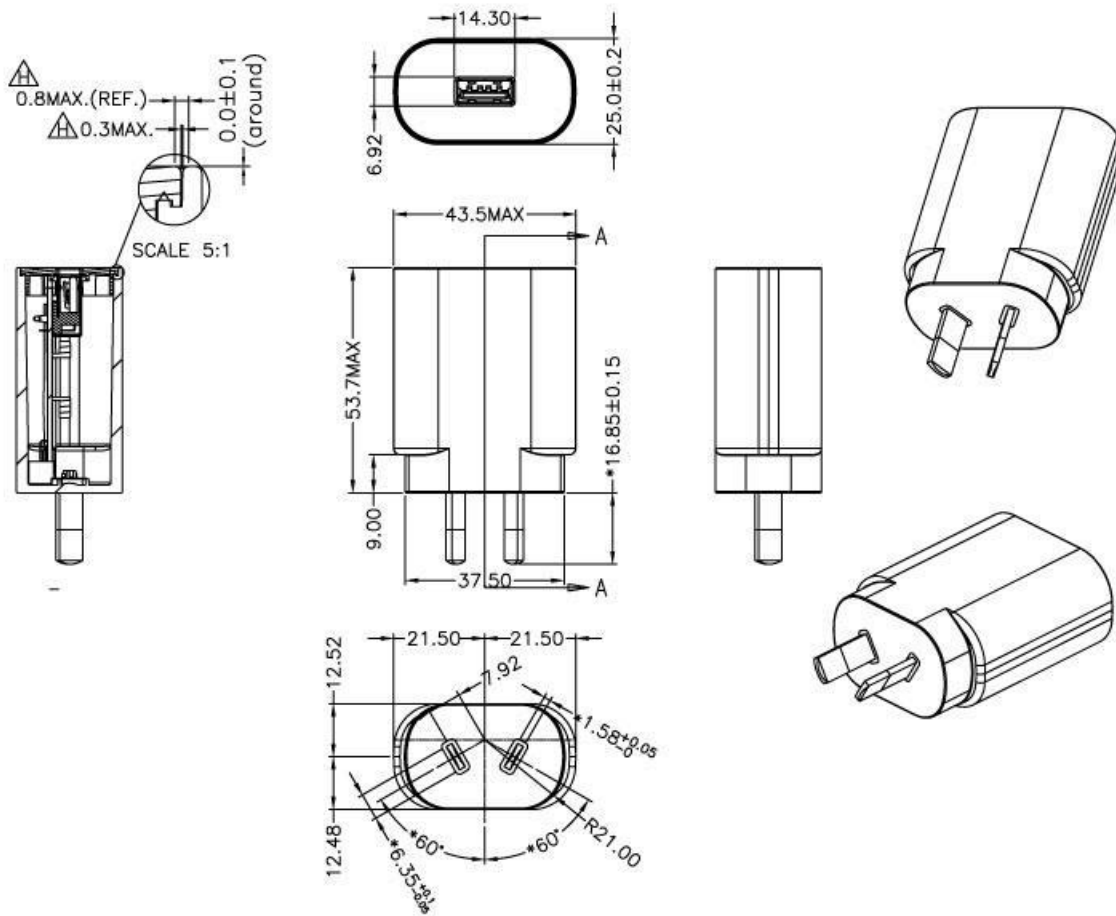
Specification¹

	Model	PSA05C-050QL6-H ²	PSA05C-050QL6W-H ²
Output	DC Output Voltage	5.0V	
	Max Current	1.0A	
	Output Power	5.0W	
	Regulation	± 5%	
	Ripple & Noise P-P(max) ³	200mV	
Input	AC Input Voltage Range	90 to 264VAC	
	AC Input Frequency	47 to 63Hz	
	Input Current	0.15A(RMS) max	
	No Load Power Consumption at 115VAC Input	≤0.1W	
	No Load Power Consumption at 230VAC Input	≤0.075W	
	115VAC Average Efficiency ⁴	≥73.6%	
	230VAC Average Efficiency ⁴	≥73.8%	
	Leakage Current	5uA max	
Protection	Over-Voltage	7.0V max	
	Over-Current	1.5A max	
	Short Circuit	Auto restart	
Environmental	Operating Temperature	0°C to +40°C	
	Non-Operating Temperature	-40° to +85°C	
	Operating Humidity	90% RH max	
Safety Approvals and EMC	Dielectric Withstand (HI-POT)	Primary to Secondary: 3000VAC for 1min, 10mA	
	Insulation Resistance	Primary to Secondary: 10M ohm for 500VDC	
	Standards	AS/NZS 62368.1:2018	
	EMI Emissions	EN 55032/CISPR 32 Class B Conducted and Radiated	
	Harmonic Current Emissions	IEC 61000-3-2	
	Voltage Fluctuations & Flicker	IEC 61000-3-3	
	Immunity	EN 55035/CISPR 35: IEC 61000-4-2 (Contact:+/- 4KV, Air:+/- 8KV), IEC 61000-4-3, IEC 61000-4-4, IEC 61000-4-5 (+/- 1kV), IEC 61000-4-6, IEC 61000-4-8, IEC 61000-4-11	
Mechanical	Dimensions (L x W x H)	70.6mm (2.78in) x 43.5mm (1.71in) x 25.0mm (0.98in)	
	DC Output Connector	USB-A	
	Case Color	Black	White
Notes	1. The specifications defined are at ambient temperature of 25C, unless otherwise specified. 2. Special order item. Minimum order quantity applies.		

3. 20MHz bandwidth frequency oscilloscope, add a 0.1 μ F multilayer Cap. and Low ESR Electrolytic Cap. (10 μ F) at output connector terminals (nominal line voltage, full load).
4. Efficiency is measured after 30 minutes burn-in.

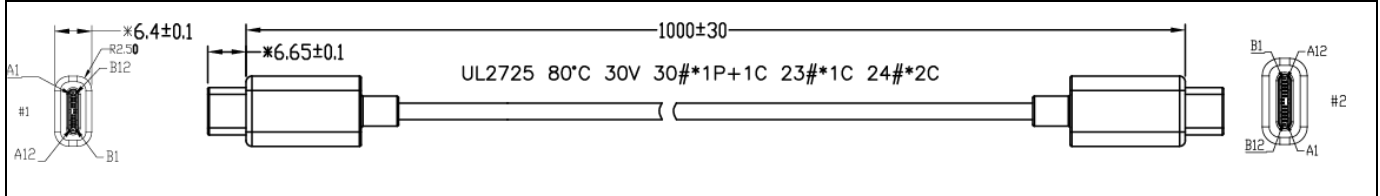
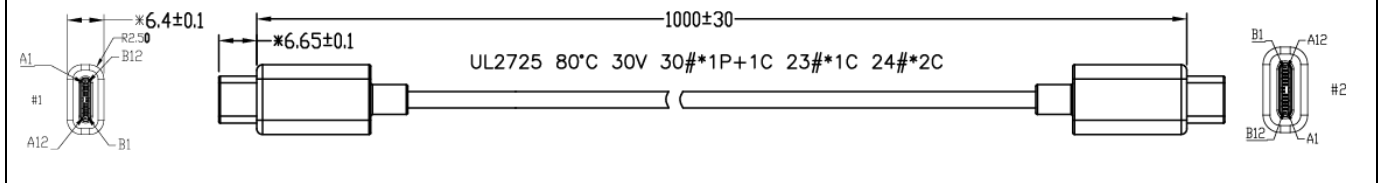
Phihong is not responsible for any error and reserves the right to make changes without notice. Please visit our website at www.phihong.com for the most up-to-date specifications and contact information.

Dimensional Diagram Unit: mm



USB Cables - Sold Separately Unit: mm

Part no: IP-USB1(C10)S	Desc: USB-A to Micro-B - 1 Meter - Black
Part no: IPUSB1CS	Desc: USB to Mini-B - 1.5 Meter - Black
Part no: IPUSB1MS	Desc: USB-A to Micro-B - 1.5 Meter - Black
Part no: IPUSB1M5LD	Desc: USB-A to Micro-B - 24AWG - Low Drop - 1.5 Meter - Black
Part no: IPUSB1P5	Desc: USB-A to Micro-B - 1 Meter - 24AWG - Black
Part no: IPUSB1P5W	Desc: USB-A to Micro-B - 1 Meter - 24AWG - White
Part no: IPUSB1MSW	Desc: USB-A to Micro-B - 1.5 Meter - White

Part no: UES-1001A160	Desc: Low Drop Type-C USB Cable - 1 Meter - 23AWG on Power - 30AWG on Data - Black
	
Part no: UES-1003A160	Desc: Low Drop Type-C USB Cable - 1 Meter - 23AWG on Power - 30AWG on Data - White
	

Phihong Locations



Headquarters Phihong Technology Co., Ltd
No. 568, Fuxing 3rd Rd., Gueishan Dist., Taoyuan City (33383), Taiwan
Tel : +886-3-3277288
Fax : +886-3-3277622
phsales@phihong.com.tw
www.phihong.com.tw



Phihong Technology Co. Ltd. (Tainan R&D Center)
No. 99, Zhengnan 1st. Street, Yongkang Dist., Tainan City 71046, Taiwan
Tel : +886-6-254-7588
Fax : +886-6-254-7288
phsales@phihong.com.tw
www.phihong.com.tw



Phihong China
Room 101, Building 5, 133-1 Tiesong Road, Qingxi Town, Dong Guan City, Guangdong (523642), China
Tel : +86-769-87736405
phsales@phihong.com.tw



Phihong USA
47800 Fremont Blvd., Fremont, CA 94538, U.S.A.
Tel : +1-510-445-0100
Fax : +1-510-445-1678
usasales@phihongusa.com
www.phihong.com



Phihong Japan
PMOEX Nihonbashi Kayabacho 10F, 2-12-10
Nihonbashi Kayabacho, Chuo City, Tokyo 103-0025 Japan
Tel : +81-3-6626-5513
Fax : +81-3-6629-0241
phsales@phihong.com.tw
www.phihong.co.jp



Phihong Vietnam
Lot CN5 An Duong Industrial Zone, Hong Phong Commune, An Duong County, Hai Phong City, Vietnam
Tel : +84-22588-31557