

## TECHNICAL DATASHEET

# 5W Compact Fixed Blade USB Charger – EU

**Applications**

- Smart Phones
- PDAs
- Personal Electronics
- Digital Cameras

**Features**

- Fixed Blade
- Low Profile
- Low Cost
- Ecodesign/ErP Lot 7 (EU) 2019/1782 Compliance
- The charging scheme: Data Lines (Pins 2 and 3) Shorted

**Safety Standards****Dimensions**

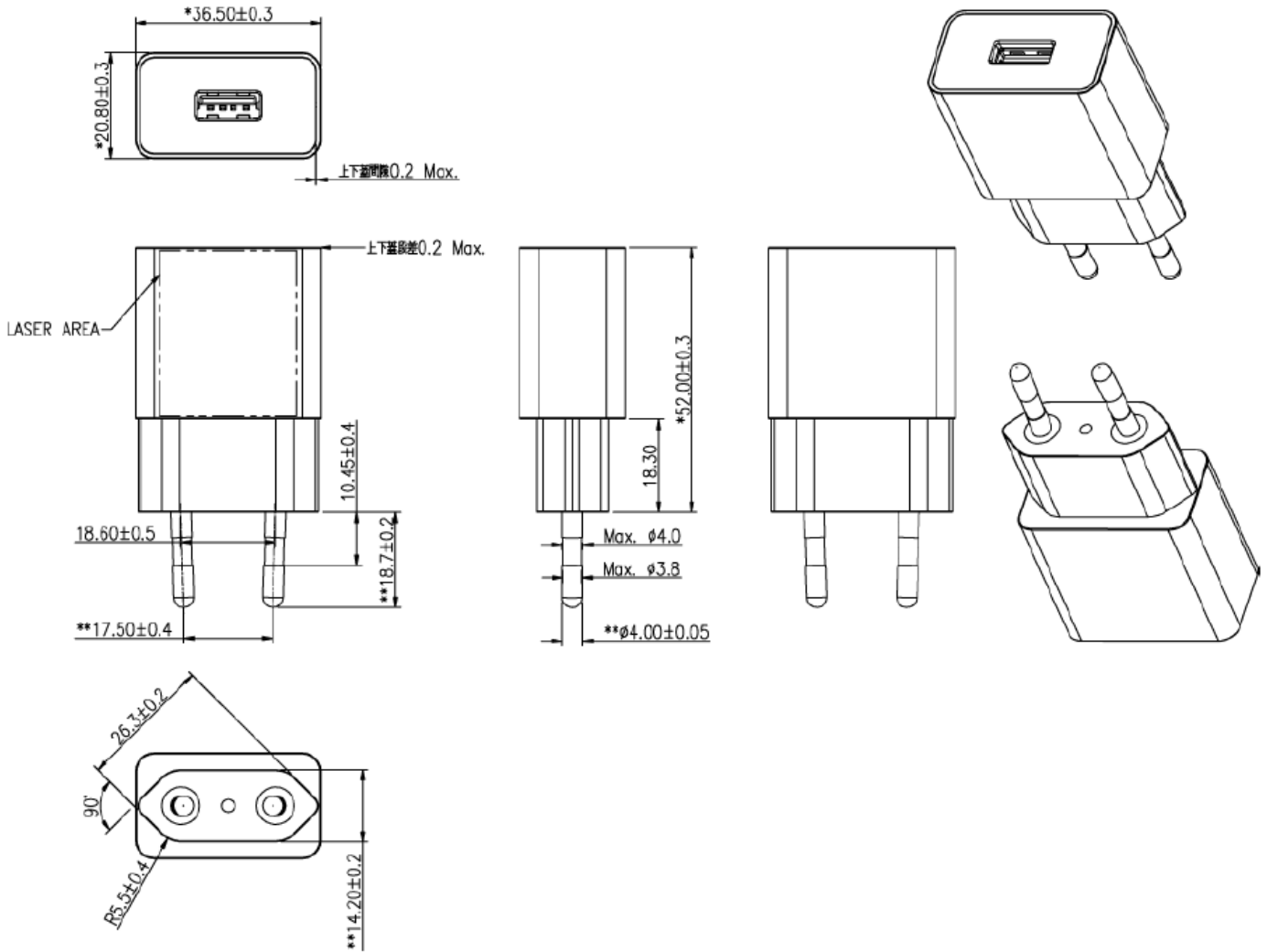
49.5 x 48.3 x 20.8 mm  
(1.95 x 1.90 x 0.82 inch)

## Specification<sup>1</sup>

	Model	PSAA05E-050QL6-R <sup>2</sup>	PSAA05E-050QL6W-R <sup>2</sup>
Output	DC Output Voltage	5.0V	
	Max Current	1.0A	
	Output Power	5.0W	
	Regulation	± 5%	
	Ripple & Noise P-P(max) <sup>3</sup>	200mV	
Input	AC Input Voltage Range	90 to 264VAC	
	AC Input Frequency	47 to 63Hz	
	Input Current	0.2A(RMS) max at 115VAC; 0.15A(RMS) max at 230VAC	
	Inrush Current	30A max @264VAC (cold start @ambient 25°C)	
	No Load Power Consumption at 230VAC Input	0.0365W	
	230VAC Average Efficiency <sup>4</sup>	74.65%	
	230VAC 10% Load Efficiency	70.65%	
	Leakage Current	0.025mA max	
Protection	Over-Voltage	<7.5V	
	Over-Current	1.5A max	
	Short Circuit	The output can be shorted without damage. Auto restart.	
Environmental	Operating Temperature	-10°C to +45°C	
	Non-Operating Temperature	-40° to +70°C	
	Operating Humidity	5 to 95%	
Safety Approvals and EMC	Dielectric Withstand (HI-POT)	Primary to Secondary: 3000VAC for 1min, 10mA	
	Insulation Resistance	Primary to Secondary: 10M ohm for 500VDC	
	Standards	IEC 62368-1	
	EMI Emissions	EN 55032/CISPR 32 Class B Conducted and Radiated	
	Harmonic Current Emissions	IEC 61000-3-2	
	Voltage Fluctuations & Flicker	IEC 61000-3-3	
	Immunity	EN 55035/CISPR 35; IEC 61000-4-2 (+/-4kV contact, +/-8kV air), IEC 61000-4-3, IEC 61000-4-4, IEC 61000-4-5 (+/-1kV), IEC 61000-4-6, IEC61000-4-8, IEC 61000-4-11	
Mechanical	Dimensions (L x W x H)	49.5mm (1.95in) x 48.3mm (1.90in) x 20.8mm (0.82in)	
	Weight	25g	
	DC Output Connector	USB CONN, 4PIN. D+ D- shorted, compliant to USB BC1.2	
	Case Color	Black	White
Notes	<ol style="list-style-type: none"> <li>1. The specifications defined are at ambient temperature of 25C, unless otherwise specified.</li> <li>2. Special order item. Minimum order quantity applies.</li> <li>3. 20MHz bandwidth frequency oscilloscope, add a 0.1µF multilayer Cap. and Low ESR Electrolytic Cap. (10µF) at output connector terminals (nominal line voltage, full load).</li> <li>4. Efficiency is measured after 30 minutes burn-in.</li> </ol>		

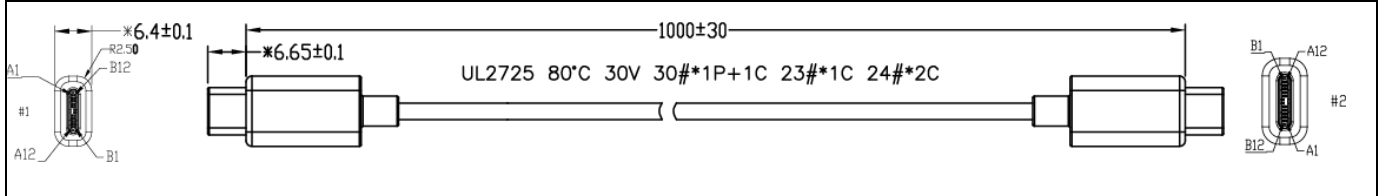
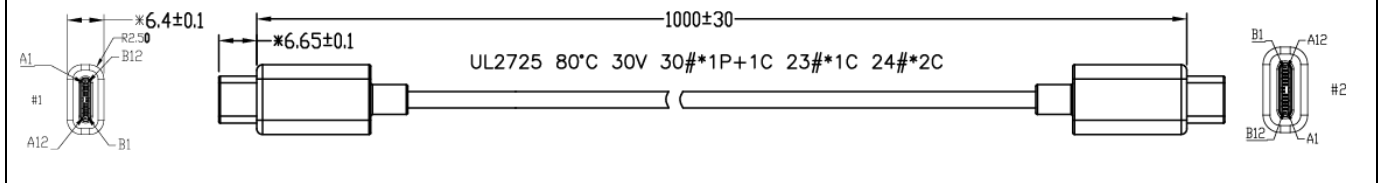
Pihong is not responsible for any error and reserves the right to make changes without notice. Please visit our website at [www.pihong.com](http://www.pihong.com) for the most up-to-date specifications and contact information.

# Dimensional Diagram Unit: mm



## USB Cables - Sold Separately Unit: mm

Part no: IP-USB1(C10)S	Desc: USB-A to Micro-B - 1 Meter - Black
Part no: IPUSB1CS	Desc: USB to Mini-B - 1.5 Meter - Black
Part no: IPUSB1MS	Desc: USB-A to Micro-B - 1.5 Meter - Black
Part no: IPUSB1M5LD	Desc: USB-A to Micro-B - 24AWG - Low Drop - 1.5 Meter - Black
Part no: IPUSB1P5	Desc: USB-A to Micro-B - 1 Meter - 24AWG - Black
Part no: IPUSB1P5W	Desc: USB-A to Micro-B - 1 Meter - 24AWG - White
Part no: IPUSB1MSW	Desc: USB-A to Micro-B - 1.5 Meter - White

<b>Part no: UES-1001A160</b>	<b>Desc: Low Drop Type-C USB Cable - 1 Meter - 23AWG on Power - 30AWG on Data - Black</b>
	
<b>Part no: UES-1003A160</b>	<b>Desc: Low Drop Type-C USB Cable - 1 Meter - 23AWG on Power - 30AWG on Data - White</b>
	

## Phihong Locations



**Headquarters Phihong Technology Co., Ltd**  
No. 568, Fuxing 3rd Rd., Gueishan Dist., Taoyuan City (33383), Taiwan  
Tel : +886-3-3277288  
Fax : +886-3-3277622  
phsales@phihong.com.tw  
www.phihong.com.tw



**Phihong Technology Co. Ltd. (Tainan R&D Center)**  
No. 99, Zhengnan 1st. Street, Yongkang Dist., Tainan City 71046, Taiwan  
Tel : +886-6-254-7588  
Fax : +886-6-254-7288  
phsales@phihong.com.tw  
www.phihong.com.tw



**Phihong China**  
Room 101, Building 5, 133-1 Tiesong Road, Qingxi Town, Dong Guan City, Guangdong (523642), China  
Tel : +86-769-87736405  
phsales@phihong.com.tw



**Phihong USA**  
47800 Fremont Blvd., Fremont, CA 94538, U.S.A.  
Tel : +1-510-445-0100  
Fax : +1-510-445-1678  
usasales@phihongusa.com  
www.phihong.com



**Phihong Japan**  
PMOEX Nihonbashi Kayabacho 10F, 2-12-10  
Nihonbashi Kayabacho, Chuo City, Tokyo 103-0025 Japan  
Tel : +81-3-6626-5513  
Fax : +81-3-6629-0241  
phsales@phihong.com.tw  
www.phihong.co.jp



**Phihong Vietnam**  
Lot CN5 An Duong Industrial Zone, Hong Phong Commune, An Duong County, Hai Phong City, Vietnam  
Tel : +84-22588-31557