

TECHNICAL DATASHEET

5V/20W Interchangeable Wall Plug Adapter



Applications

- Peripherals
- Gaming Machines
- Point of Sales Equipment
- Network Equipment

Features

- Double Insulated
- Field Changeable AC Plugs – Sold Separately
- US DoE Level VI Efficiency Compliance
- Ecodesign/ErP Lot 7 (EU) 2019/1782 Compliance
- AS/NZS4665.1-2005+A1:2009, AS/NZS4665.2-2005+A1:2009 Compliance
- Class B EMI

Safety Standards



Dimensions

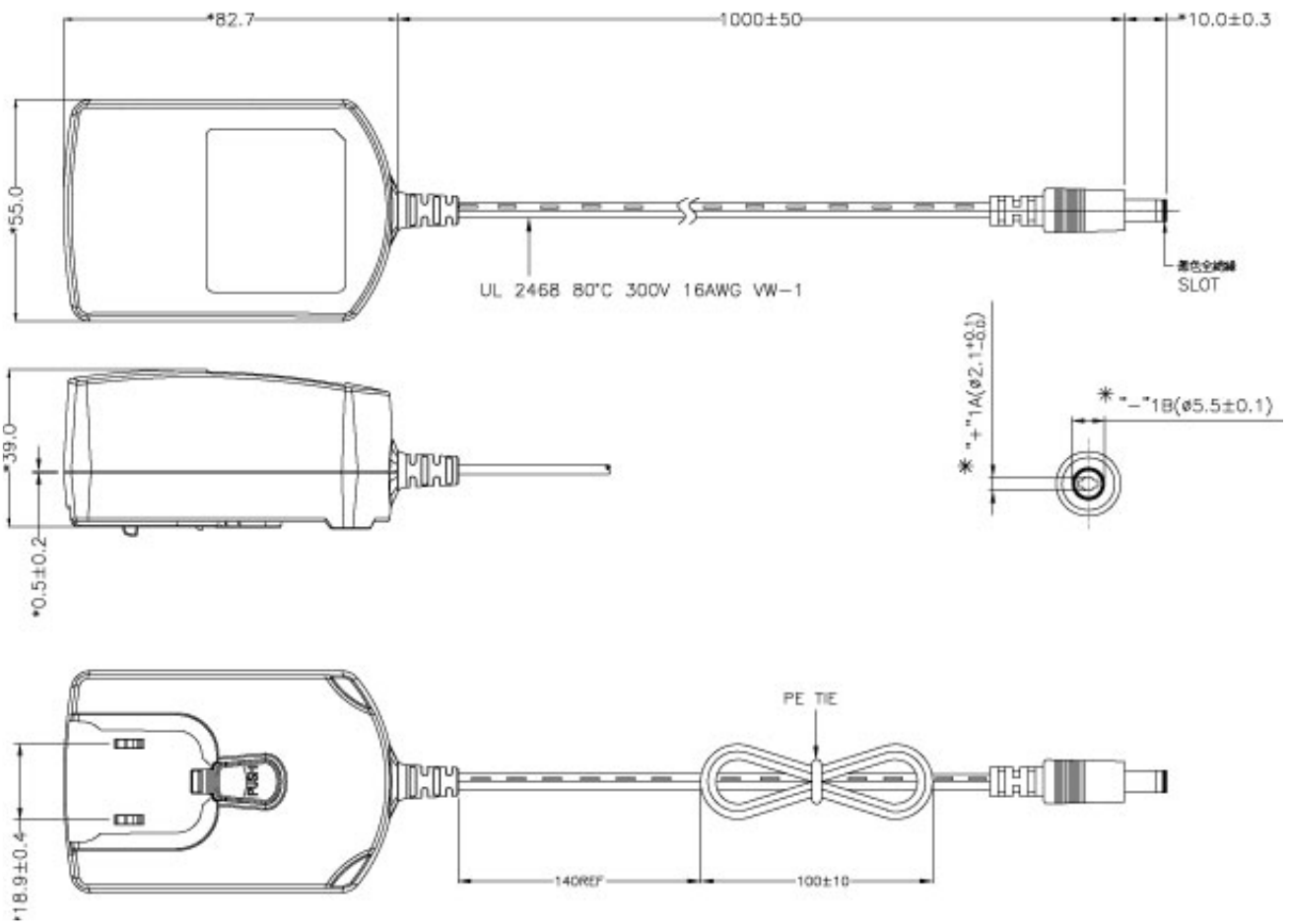
82.7 x 55 x 39 mm
(82.7 x 2.17 x 1.54 inch)

Specification¹


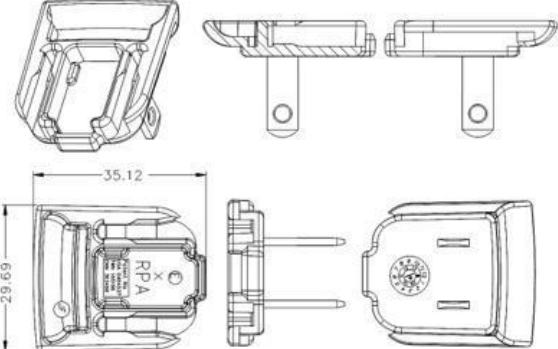

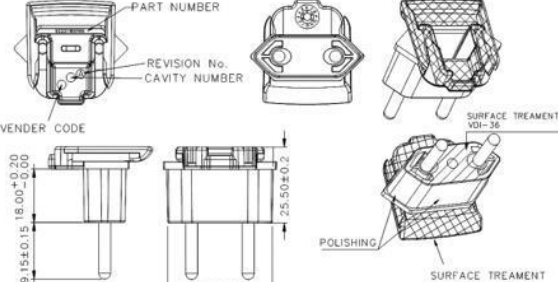

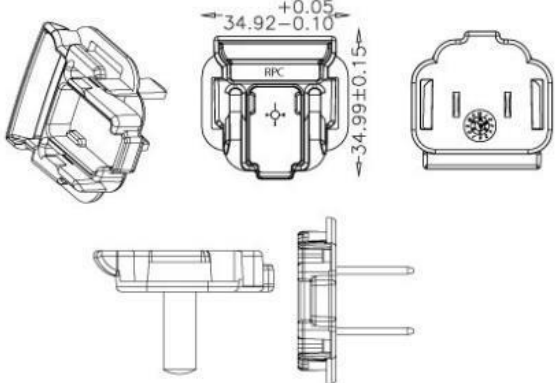

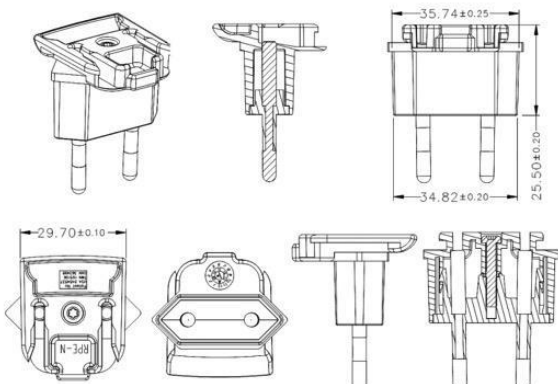
Model		PSAA05A-050QL6-H	PSAA05A-050QL6W-H ²
Output	DC Output Voltage	5.0V	
	Max Current	1.0A	
	Output Power	20.0W	
	Regulation	± 5%	
	Ripple & Noise P-P(max) ³	150mV	
Input	AC Input Voltage Range	90 to 264VAC	
	AC Input Frequency	47 to 63Hz	
	Input Current	0.8A (RMS) max @120Vac/max load 0.5A (RMS) max @240Vac/max load	
	Inrush Current	60A max @100VAC/max load 100A max @240VAC/max load	
	No Load Power Consumption at 115VAC Input	0.026W	
	No Load Power Consumption at 230VAC Input	83.90%	
	115VAC Average Efficiency ³	83.63%	
	230VAC Average Efficiency ³	76.88%	
	Leakage Current	0.025mA max	
Protection	Over-Voltage	10V max	
	Over-Current	Short circuit. Auto restart.	
	Short Circuit	The output can be shorted without damage.	
Environmental	Operating Temperature	0°C to +40°C	
	Non-Operating Temperature	-20° to +70°C	
	Operating Humidity	20 to 90%	
Safety Approvals and EMC	Dielectric Withstand (HI-POT)	Primary to Secondary: 3000VAC for 1min, 10mA	
	Insulation Resistance	Primary to Secondary: 10M ohm for 500VDC	
	Standards	cULus 62368-1, IEC 62368-1, AS/NZS 62368:2018	
	EMI Emissions	FCC Part 15 Class B, CAN ICES-003(B)/NMB-003(B), EN 55032/CISPR 32, AS/NZS CISPR 32:2015, Class B Conducted and Radiated	
	Harmonic Current Emissions	IEC 61000-3-2	
	Voltage Fluctuations & Flicker	IEC 61000-3-3	
	Immunity	EN 55035/CISPR 35: IEC 61000-4-2 (+/- 8kV air, +/-4kV contact), IEC 61000-4-3, IEC 61000-4-4, IEC 61000-4-5 (+/- 1kV), IEC 61000-4-6, IEC 61000-4-8, IEC 61000-4-11	
Mechanical	Dimensions (L x W x H)	82.7mm (3.26in) x 55.0mm (2.17in) x 39.0mm (1.54in)	
	Weight	180g	
	AC Input Connector	Interchangeable Prong	
	DC Cord Length	1000mm	
	Output Cable Type	16 AWG	
	DC Output Connector	5.5mm x 2.1mm x 10.0mm	
Notes	<ol style="list-style-type: none"> The specifications defined are at ambient temperature of 25C, unless otherwise specified. Special order item. Minimum order quantity applies. 20MHz bandwidth frequency oscilloscope, add a 0.1µF multilayer Cap. and Low ESR Electrolytic Cap. (10µF) at output connector terminals (nominal line voltage, full load). Efficiency is measured after 30 minutes burn-in. 		


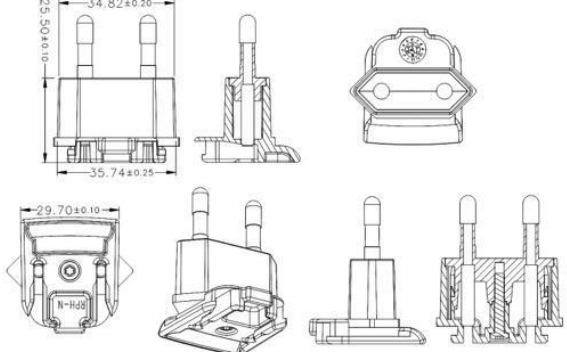

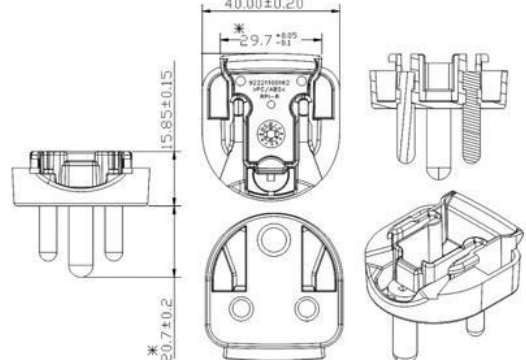

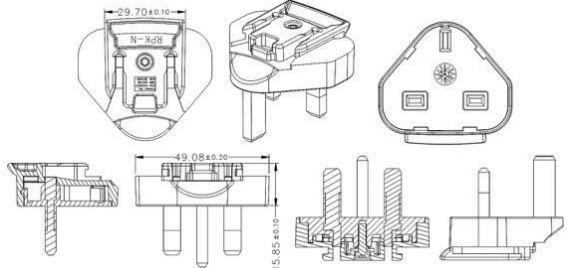

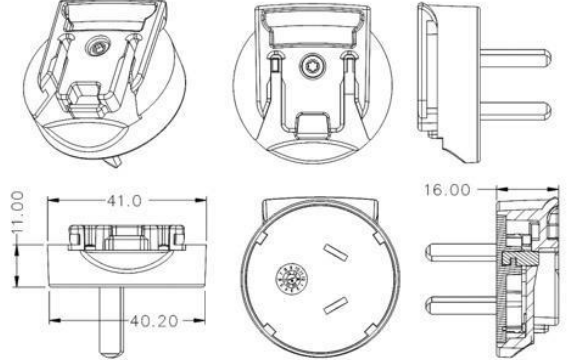

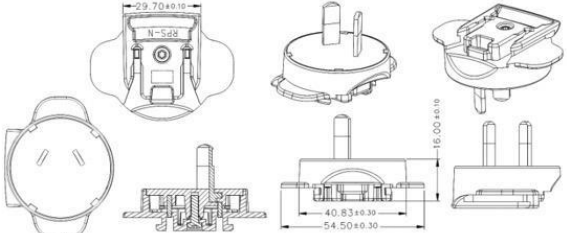
Phihong is not responsible for any error and reserves the right to make changes without notice. Please visit our website at www.phihong.com for the most up-to-date specifications and contact information.


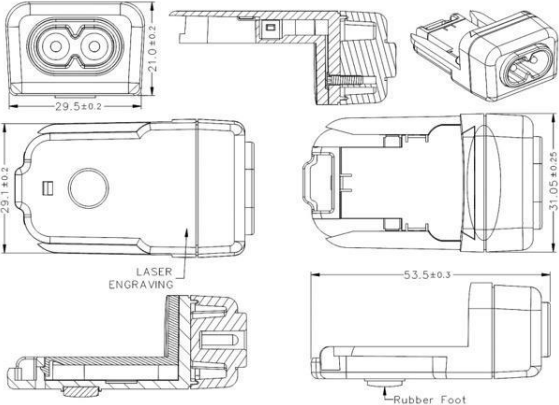

Dimensional Diagram Unit: mm



AC Input Clips - Sold Separately

Model	Photo	Description	Outline Drawing - mm
RPA-AB01B-H		US Clip	
RPB-AB01B-H		Brazil Clip	
RPC-AB01B-H		China Clip	
RPE-AB01B-H		Europe Clip	

Model	Photo	Description	Outline Drawing - mm
RPH-AB01B-H		Korea Clip	
RPI-AB01B-H		India Clip	
RPK-AB01B-H		UK Clip	
RPN-AB01B-H		Argentina Clip	
RPS-AB01B-H		Australia Clip	

Model	Photo	Description	Outline Drawing - mm
RPX-03-R (approved for use in the EU, the UK, and Australia/New Zealand)		C8 Clip	
RPBAG- AB01B-H	RPA-R, RPE-N-R, RPK(NC)-R and RPS-N-R interchangeable clips in a plastic bag. 		

Phihong Locations



Headquarters Phihong Technology Co., Ltd
No. 568, Fuxing 3rd Rd., Gueishan Dist., Taoyuan City (33383), Taiwan
Tel : +886-3-3277288
Fax : +886-3-3277622
phsales@phihong.com.tw
www.phihong.com.tw



Phihong Technology Co. Ltd. (Tainan R&D Center)
No. 99, Zhengnan 1st. Street, Yongkang Dist., Tainan City 71046, Taiwan
Tel : +886-6-254-7588
Fax : +886-6-254-7288
phsales@phihong.com.tw
www.phihong.com.tw



Phihong China
Room 101, Building 5, 133-1 Tiesong Road, Qingxi Town, Dong Guan City, Guangdong (523642), China
Tel : +86-769-87319026
Fax : +86-769-87317106
phsales@phihong.com.tw



Phihong USA
47800 Fremont Blvd., Fremont, CA 94538, U.S.A.
Tel : +1-510-445-0100
Fax : +1-510-445-1678
usasales@phihongusa.com
www.phihong.com



Phihong Japan
PMOEX Nihonbashi Kayabacho 10F, 2-12-10
Nihonbashi Kayabacho, Chuo City, Tokyo 103-0025 Japan
Tel : +81-3-6626-5513
Fax : +81-3-6629-0241
phsales@phihong.com.tw
www.phihong.co.jp



Phihong Vietnam
Lot CN5 An Duong Industrial Zone, Hong Phong Commune, An Duong County, Hai Phong City, Vietnam
Tel : +84-22588-31557