

TECHNICAL DATASHEET

5W Fixed Blade Wall Mount Adapter – US



Applications

- MPEG Players
- Personal Electronics
- PDAs
- Digital Cameras

Features

- Double Insulated
- Low Leakage Current
- Low Cost
- Small Package Size
- Class B EMI
- US DoE Level VI Compliance
- PSAC05A-050L6M-R & PSAC05A-050L6B-R charging scheme: Data Lines (Pins 2 and 3) Shorted

Safety Standards



Dimensions

66.5 x 28.0 x 56.0 mm
(2.62 x 1.10 x 2.20 inch)

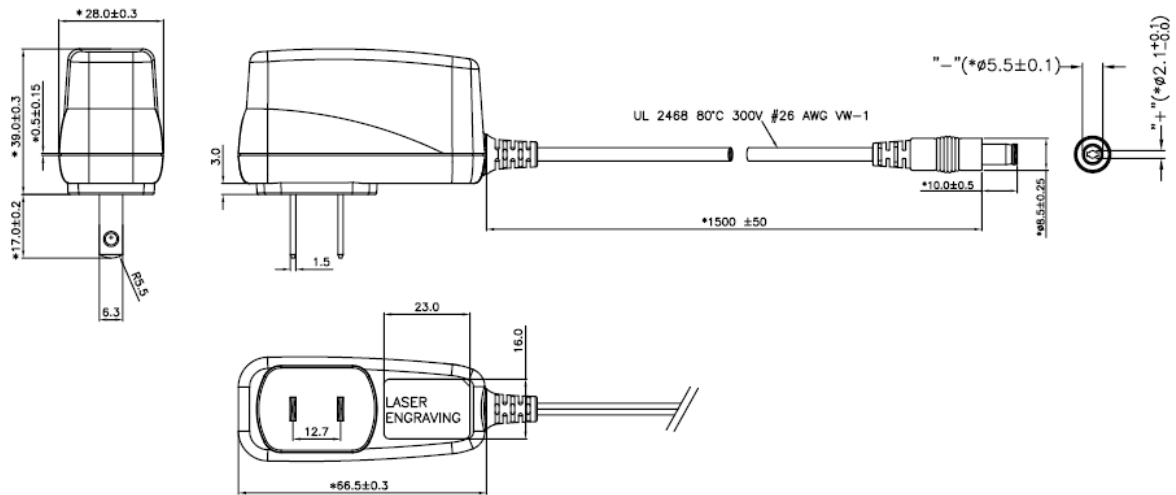
Specification¹

| Model | | PSAC05A-050L6-R | PSAC05A-050L6M-R ² | PSAC05A-050L6B-R ^{3.1, 3.2} |
|--------------------------|--|--|-------------------------------|--------------------------------------|
| Output | DC Output Voltage | 5.0V | | |
| | Max Current | 1.0A | | |
| | Output Power | 5.0W | | |
| | Regulation | ± 5% | | |
| | Ripple & Noise P-P(max) ³ | 150mV | | |
| Input | AC Input Voltage Range | 90 to 264VAC | | |
| | AC Input Frequency | 47 to 63Hz | | |
| | Input Current | 0.15A(RMS) max | | |
| | Inrush Current | 40A @115VAC/60Hz max load; 60A @230VAC/50Hz max load (Cold start at ambient 25°C) | | |
| | No Load Power Consumption at 115VAC Input | ≤0.1W | | |
| | No Load Power Consumption at 230VAC Input | ≤0.075W | | |
| | 115VAC Average Efficiency ⁴ | ≥78.7% | | |
| | 230VAC Average Efficiency ⁴ | ≥79.0% | | |
| | Leakage Current | 250uA max | | |
| Protection | Over-Voltage | 7.5V max | | |
| | Over-Current | 2A max | | |
| | Short Circuit | Output can be shorted permanently without damage | | |
| Environmental | Operating Temperature | 0°C to +40°C | | |
| | Non-Operating Temperature | -20° to +70°C | | |
| | Operating Humidity | 90% RH max | | |
| Safety Approvals and EMC | Dielectric Withstand (HI-POT) | Primary to Secondary: 3000VAC for 1min, 10mA | | |
| | Insulation Resistance | Primary to Secondary: 10M ohm for 500VDC | | |
| | Standards | cULus 62368-1 | | |
| | EMI Emissions | FCC Part 15 Class B, CAN-ICES-003(B)/NMB-003(B) Class B Conducted and Radiated | | |
| Mechanical | Dimensions (L x W x H) | 66.5mm (2.62in) x 28.0mm (1.10in) x 56.0mm (2.20in) | | |
| | Weight | 85g | | |
| | Case Color | 2.1 x 5.5 x 10mm Barrel Center Positive | USB Micro B | USB Mini B |
| Notes | <ol style="list-style-type: none"> The specifications defined are at ambient temperature of 25°C, unless otherwise specified. The charging scheme: Data Lines (Pins 2 and 3) Shorted. 3.1 Special order item. Minimum order quantity applies. 3.2 The charging scheme: Data Lines (Pins 2 and 3) Shorted. 20MHz bandwidth frequency oscilloscope, add a 0.1µF multilayer Cap. and Low ESR Electrolytic Cap. (10µF) at output connector terminals (nominal line voltage, full load). Efficiency is measured after 30 minutes burn-in. | | | |

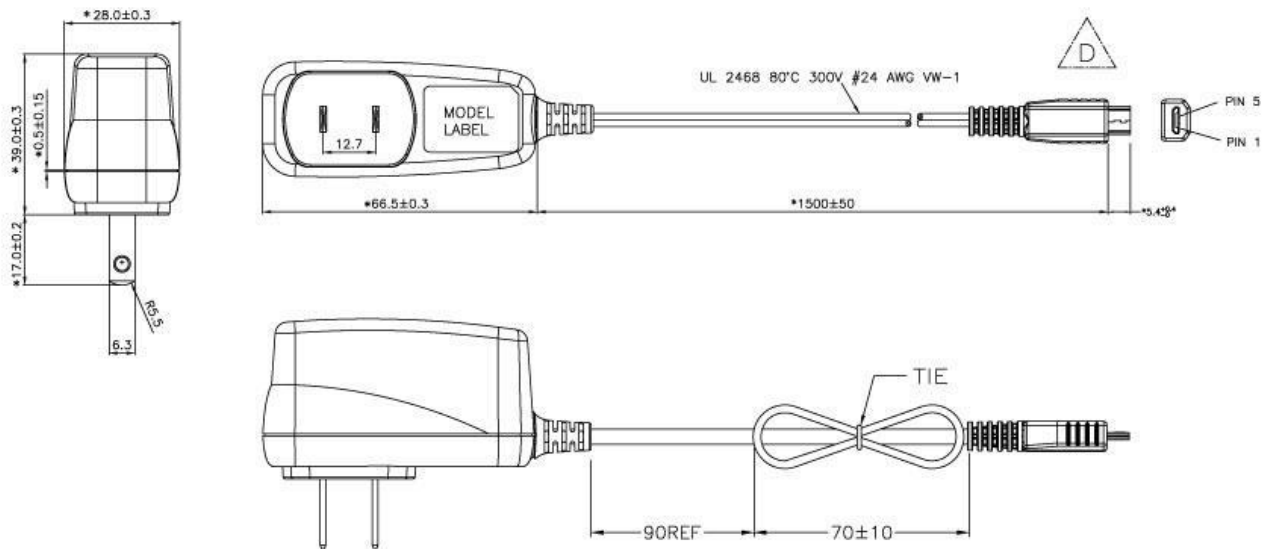
Phihong is not responsible for any error and reserves the right to make changes without notice. Please visit our website at www.phihong.com for the most up-to-date specifications and contact information.

Dimensional Diagram Unit: mm

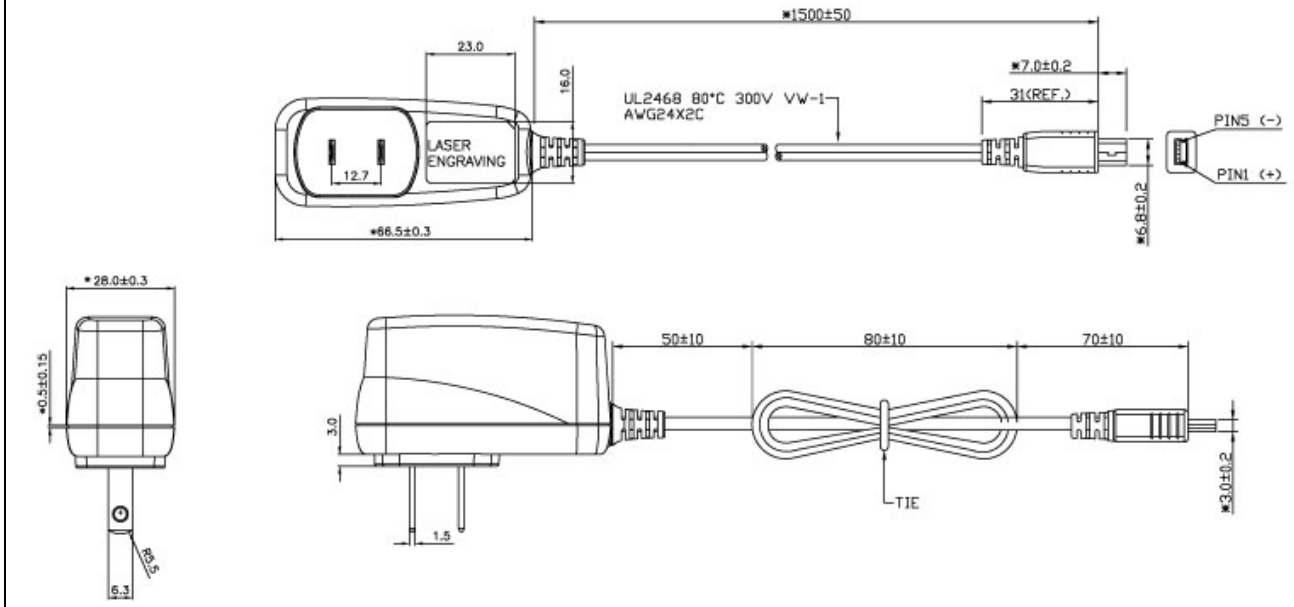
PSAC05A-050L6-R Outline Drawing



PSAC05A-050L6M-R Outline Drawing



PSAC05A-050L6B-R Outline Drawing



Phihong Locations



Headquarters Phihong Technology Co., Ltd
No. 568, Fuxing 3rd Rd., Gueishan Dist., Taoyuan City (33383), Taiwan
Tel : +886-3-3277288
Fax : +886-3-3277622
phsales@phihong.com.tw
www.phihong.com.tw



Phihong Technology Co. Ltd. (Tainan R&D Center)
No. 99, Zhengnan 1st. Street, Yongkang Dist., Tainan City 71046, Taiwan
Tel : +886-6-254-7588
Fax : +886-6-254-7288
phsales@phihong.com.tw
www.phihong.com.tw



Phihong China
Room 101, Building 5, 133-1 Tiesong Road, Qingxi Town, Dong Guan City, Guangdong (523642), China
Tel : +86-769-87319026
Fax : +86-769-87317106
phsales@phihong.com.tw



Phihong USA
47800 Fremont Blvd., Fremont, CA 94538, U.S.A.
Tel : +1-510-445-0100
Fax : +1-510-445-1678
usasales@phihongusa.com
www.phihong.com



Phihong Japan
PMOEX Nihonbashi Kayabacho 10F, 2-12-10
Nihonbashi Kayabacho, Chuo City, Tokyo 103-0025 Japan
Tel : +81-3-6626-5513
Fax : +81-3-6629-0241
phsales@phihong.com.tw
www.phihong.co.jp



Phihong Vietnam
Lot CN5 An Duong Industrial Zone, Hong Phong Commune, An Duong County, Hai Phong City, Vietnam
Tel : +84-22588-31557