

## TECHNICAL DATASHEET

# 5W Fixed Blade Wall Mount Adapter – EU

**Applications**

- MPEG Players
- Personal Electronics
- PDAs
- Digital Cameras

**Features**

- Double Insulated
- Low Leakage Current
- Low Cost
- Small Package Size
- Class B EMI
- Ecodesign/ErP Lot 7 (EU) 2019/1782 Compliance
- PSAC05E-050L6M-R charging scheme:  
Data Lines (Pins 2 and 3) Shorted

**Safety Standards****Dimensions**

66.5 x 28.0 x 72.9 mm  
(2.62 x 1.10 x 2.87 inch)

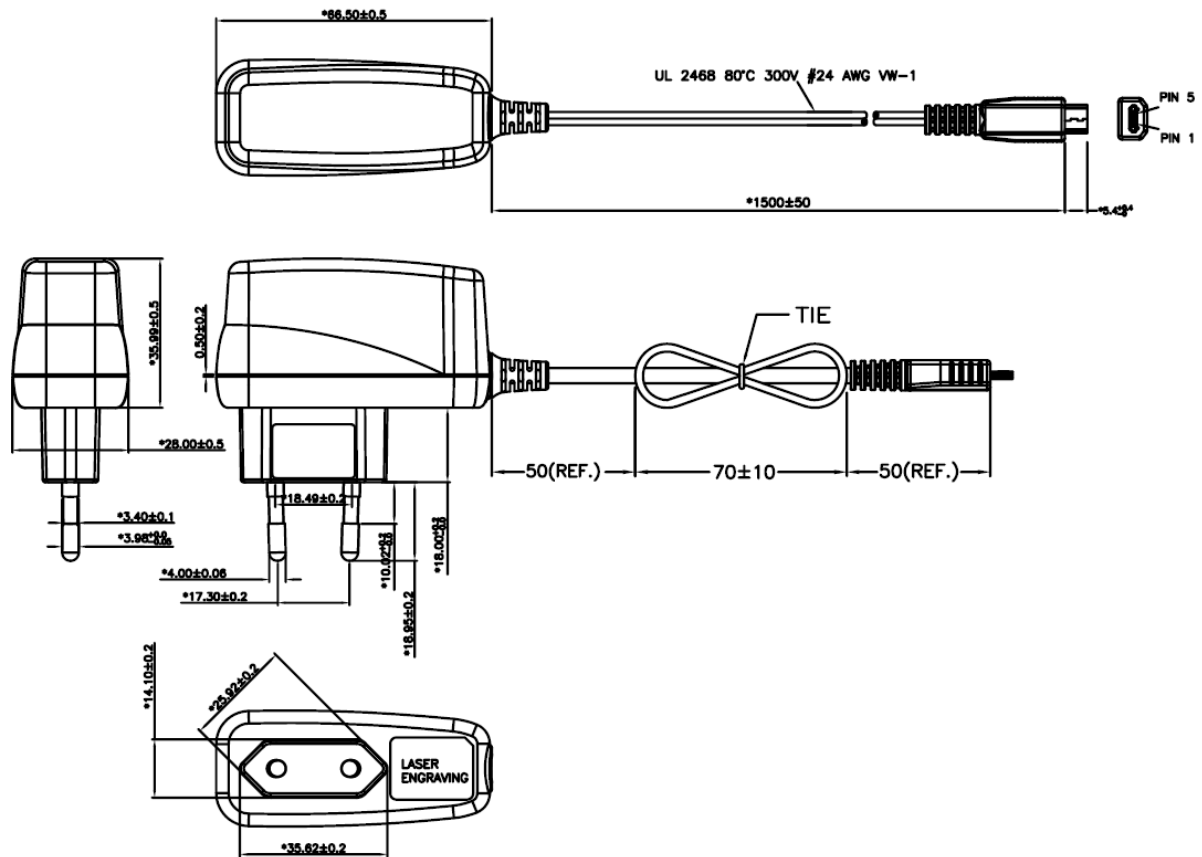
## Specification<sup>1</sup>

Model		PSAC05E-050L6-R <sup>2.1</sup>	PSAC05E-050L6M-R <sup>2.1, 2.2</sup>
Output	DC Output Voltage	5.0V	
	Max Current	1.0A	
	Output Power	5.0W	
	Regulation	± 5%	
	Ripple & Noise P-P(max) <sup>3</sup>	150mV	
Input	AC Input Voltage Range	90 to 264VAC	
	AC Input Frequency	47 to 63Hz	
	Input Current	0.15A(RMS) max	
	Inrush Current	40A @115VAC/60Hz max load; 60A @230VAC/50Hz max load (Cold start at ambient 25°C)	
	No Load Power Consumption at 115VAC Input	0.0204W	
	No Load Power Consumption at 230VAC Input	0.0288W	
	115VAC Average Efficiency <sup>4</sup>	75.90%	
	230VAC Average Efficiency <sup>4</sup>	74.44%	
	Leakage Current	250uA max	
Protection	Over-Voltage	7.5V max	
	Over-Current	2A max	
	Short Circuit	Output can be shorted permanently without damage	
Environmental	Operating Temperature	0°C to +40°C	
	Non-Operating Temperature	-20° to +70°C	
	Operating Humidity	90% RH max	
Safety Approvals and EMC	Dielectric Withstand (HI-POT)	Primary to Secondary: 3000VAC for 1min, 10mA	
	Insulation Resistance	Primary to Secondary: 10M ohm for 500VDC	
	Standards	IEC 62368-1	
	EMI Emissions	EN 55032/CISPR 32 Class B Conducted and Radiated	
	Harmonic Current Emissions	IEC 61000-3-2	
	Voltage Fluctuations & Flicker	IEC 61000-3-3	
	Immunity	EN 55035/CISPR 35: IEC 61000-4-2 (Contact:+/- 4KV, Air:+/- 8KV), IEC 61000-4-3, IEC 61000-4-4, IEC 61000-4-5 (+/- 1kV), IEC 61000-4-6, IEC 61000-4-8, IEC 61000-4-11	
Mechanical	Dimensions (L x W x H)	66.5mm (2.62in) x 28.0mm (1.10in) x 72.9mm (2.87in)	
	Weight	155.92g	
	DC Output Connector	2.1 x 5.5 x 10mm Barrel Center Positive	USB Mini B
Notes	<p>1. The specifications defined are at ambient temperature of 25C, unless otherwise specified.</p> <p>2.1 Special order item. Minimum order quantity applies.</p> <p>2.2 The charging scheme: Data Lines (Pins 2 and 3) Shorted.</p> <p>3. 20MHz bandwidth frequency oscilloscope, add a 0.1µF multilayer Cap. and Low ESR Electrolytic Cap. (10µF) at output connector terminals (nominal line voltage, full load).</p> <p>4. Efficiency is measured after 30 minutes burn-in.</p>		

Phihong is not responsible for any error and reserves the right to make changes without notice. Please visit our website at [www.phihong.com](http://www.phihong.com) for the most up-to-date specifications and contact information.



### PSAC05E-050L6M-R Outline Drawing



## Phihong Locations



**Headquarters Phihong Technology Co., Ltd**  
No. 568, Fuxing 3rd Rd., Gueishan Dist., Taoyuan City (33383), Taiwan  
Tel : +886-3-3277288  
Fax : +886-3-3277622  
phsales@phihong.com.tw  
www.phihong.com.tw



**Phihong Technology Co. Ltd. (Tainan R&D Center)**  
No. 99, Zhengnan 1st. Street, Yongkang Dist., Tainan City 71046, Taiwan  
Tel : +886-6-254-7588  
Fax : +886-6-254-7288  
phsales@phihong.com.tw  
www.phihong.com.tw



**Phihong China**  
Room 101, Building 5, 133-1 Tiesong Road, Qingxi Town, Dong Guan City, Guangdong (523642), China  
Tel : +86-769-87319026  
Fax : +86-769-87317106  
phsales@phihong.com.tw



**Phihong USA**  
47800 Fremont Blvd., Fremont, CA 94538, U.S.A.  
Tel : +1-510-445-0100  
Fax : +1-510-445-1678  
usasales@phihongusa.com  
www.phihong.com



**Phihong Japan**  
PMOEX Nihonbashi Kayabacho 10F, 2-12-10  
Nihonbashi Kayabacho, Chuo City, Tokyo 103-0025 Japan  
Tel : +81-3-6626-5513  
Fax : +81-3-6629-0241  
phsales@phihong.com.tw  
www.phihong.co.jp



**Phihong Vietnam**  
Lot CN5 An Duong Industrial Zone, Hong Phong Commune,  
An Duong County, Hai Phong City, Vietnam  
Tel : +84-22588-31557