

TECHNICAL DATASHEET

12 Watt Fixed Wall Plug Series



Applications

- Wireless Communications
- Portable Equipment
- Peripherals
- PDA

Features

- Limited Power Source (LPS)
- Class B EMI
- Level VI Compliant
- Class II Double Insulated
- High Efficiency
- Low Cost

Safety Standards



- UL/cUL 60950-1
- UL/cUL 62368-1

Dimensions

71.5 x 50 x 31.2 mm
(2.82 x 1.97 x 1.23 inch)

Weight

124g (4.37g)

Output Specifications

Model	DC Output Voltage	Load		Ripple ⁽¹⁾ P-P (max.)	Regulation Line & Load
		Min.	Max.		
PSAC12A-050-R	5V	0A	2.4A	100mV	±5%
PSAC12A-060-R	5.9V	0A	2.0A	100mV	±5%
PSAC12A-075-R	7.5V	0A	1.6A	100mV	±5%
PSAC12A-090-R	9V	0A	1.33A	120mV	±5%
PSAC12A-120-R	12V	0A	1.0A	120mV	±5%
PSAC12A-150-R	15V	0A	0.8A	150mV	±5%
PSAC12A-240-R	24V	0A	0.5A	240mV	±5%
PSAC12A-480-R	48V	0A	0.25A	400mV	±5%

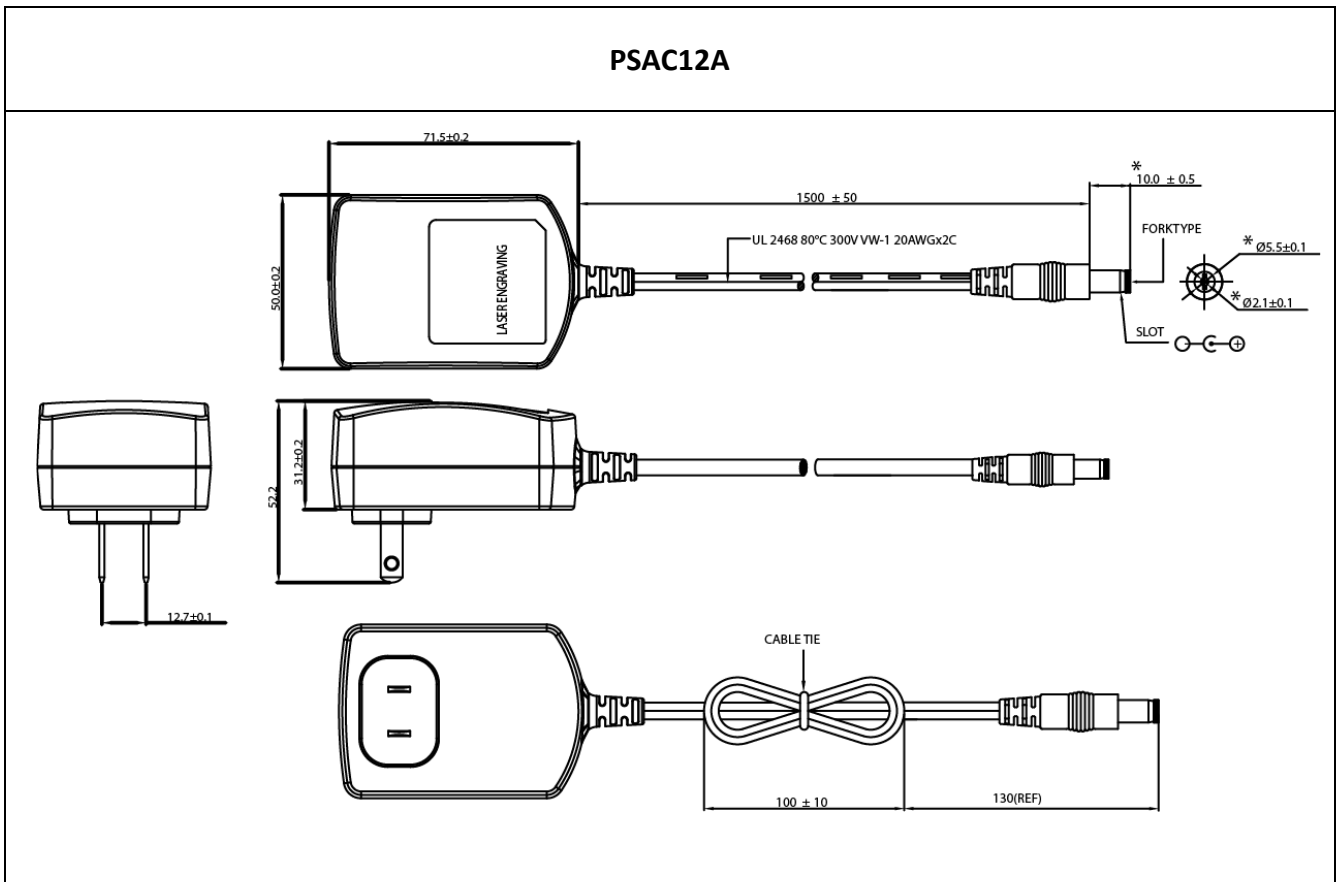
Notes:

1. Measured after 30 minutes with by-pass capacitors 0.1uF/10uF at output connector terminal and oscilloscope set at 20Mhz.

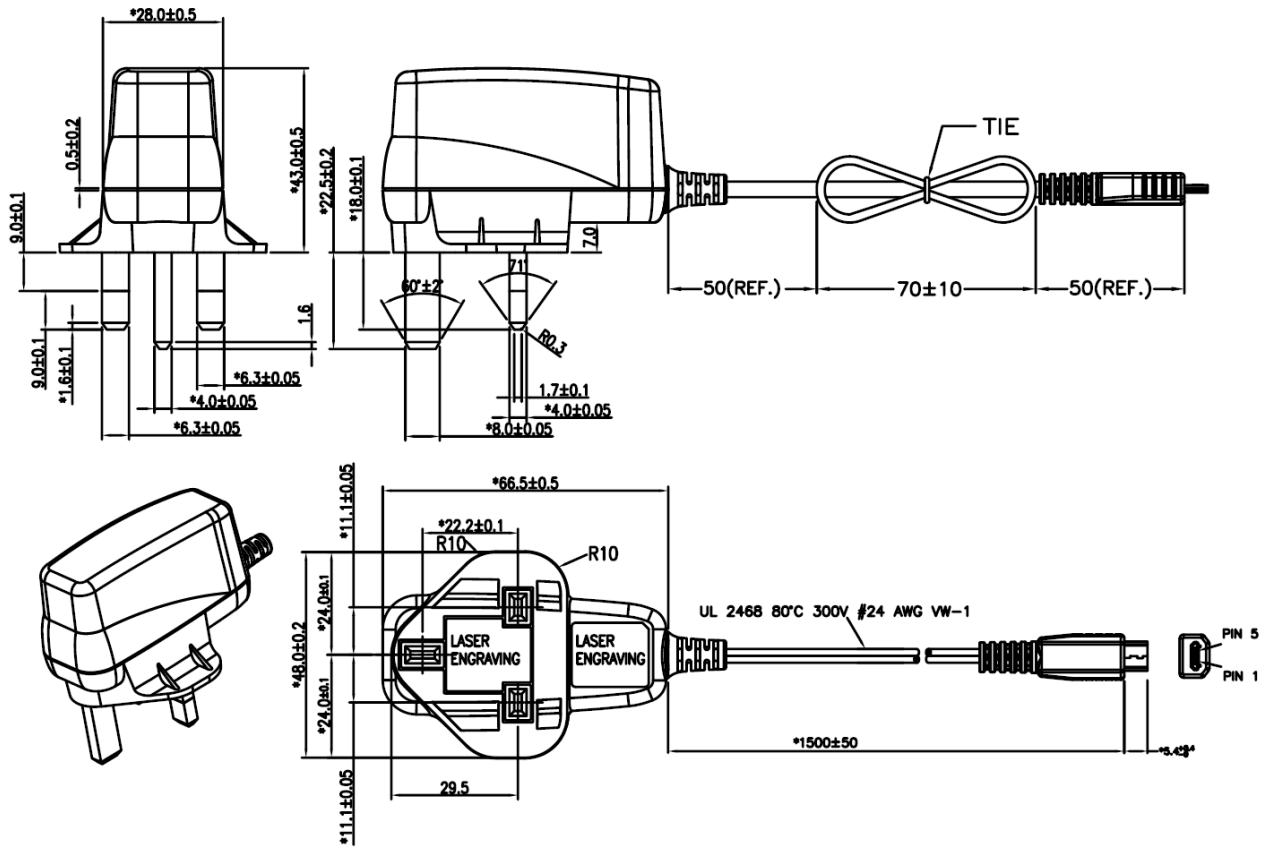
Specification¹

	Model	PSAC12A
Input	AC Input Voltage Rating	100 to 240V AC
	AC Input Voltage Range	90 to 264V AC
	AC Input Frequency	47 to 63Hz
	Input Current	0.15A(RMS) max
	Inrush Current	0.5A (RMS) maximum at 120V AC 0.25A (RMS) maximum at 230V AC
	Leakage Current	0.25mA maximum at all line conditions
	Inrush Current	<30A for 120V AC at maximum load <60A for 230V AC at maximum load (Cold start at ambient 25°C)
	Input Power Saving	0.1W maximum at no load
Output	Efficiency ²	7.5V max
Environmental	Operating Temperature	0° to +40°C
	Non-Operating Temperature	-40° to +85°C
	Operating Humidity	50%-90% RH max
	Emissions	Complies with FCC Class B Complies with EN55032 Class B
	Immunity	IEC610004-2、IEC610004-3、IEC610004-4、 IEC610004-5、IEC610004-6、IEC610004-8、 IEC610004-11、EN61000-3-2
	Hold-up Time	8mS minimum at 120V AC and maximum load
	Over-Voltage Protection	<150%
	Over-Current Protection	Output equipped with short circuit protection – auto-restart
	Short-Circuit Protection	Output can be shorted without damage
	Dielectric Withstand (Hi-pot) Test	Primary to Secondary: 3000V AC for 1 min., 10mA
	DC Output Connector	2.1 x 5.5mm Center Positive Barrel
Notes	1. The characteristics defined are at ambient temperature of 25°C unless otherwise specified 2. Efficiency is measured after 30 minutes burn-in	

Phihong is not responsible for any error and reserves the right to make changes without notice. Please visit our website at www.phihong.com for the most up-to-date specifications and contact information.

Dimensional Diagram Unit: mm


PSAC05K-050L6M-R Outline Drawing



Phihong Locations



Headquarters Phihong Technology Co., Ltd
 No. 568, Fuxing 3rd Rd., Gueishan Dist., Taoyuan City (33383), Taiwan
 Tel : +886-3-3277288
 Fax : +886-3-3277622
phsales@phihong.com.tw
www.phihong.com.tw



Phihong Technology Co. Ltd. (Tainan R&D Center)
 No. 99, Zhengnan 1st. Street, Yongkang Dist., Tainan City 71046, Taiwan
 Tel : +886-6-254-7588
 Fax : +886-6-254-7288
phsales@phihong.com.tw
www.phihong.com.tw



Phihong China
 Room 101, Building 5, 133-1 Tiesong Road, Qingxi Town, Dong Guan City, GuangDong (523642), China
 Tel : +86-769-87319026
 Fax : +86-769-87317106
phsales@phihong.com.tw



Phihong USA
 47800 Fremont Blvd., Fremont, CA 94538, U.S.A.
 Tel : +1-510-445-0100
 Fax : +1-510-445-1678
usasales@phihongusa.com
www.phihong.com



Phihong Japan
 PMOEX Nihonbashi Kayabacho 10F, 2-12-10 Nihonbashi Kayabacho, Chuo City, Tokyo 103-0025 Japan
 Tel : +81-3-6626-5513
 Fax : +81-3-6629-0241
phsales@phihong.com.tw
www.phihong.co.jp



Phihong Vietnam
 Lot CN5 An Duong Industrial Zone, Hong Phong Commune, An Duong County, Hai Phong City, Vietnam
 Tel : +84-22588-31557